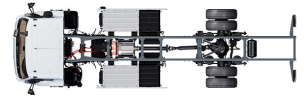


# Specification sheet

# XB 190

FA 4X2 Rigid, 16t Electric



## ENGINES

XB Electric 16t PACCAR EX-M2 (190 kW / 210/282 kWh )

## GVM<sup>1)</sup>

16000 kg

Max. front 6000 kg

Max. rear 10500 kg

## GCM<sup>2)</sup>

16000 kg

016F4800AAAA - 2025011 - 18-09-2024

DAF Trucks Ltd, UK, Haddenham, HP17 8LJ, [www.daf.co.uk](http://www.daf.co.uk)

## CAB EXTERIOR

Day Cab with steel bumper, tinted glass and electric window openers. Main mirrors and wide angle mirrors electrically heated. Cab width 2130 mm.; Electrically adjustable mirrors; Mirror brackets, body 2.50-2.60 m; Front view mirror; Rear view camera.

### Optional

<b>02576</b> Extended Day Cab	<b>02083</b> Two hazard beacon lights LED
<b>03175</b> Cab suspension rubber and mechanical	<b>07343</b> Kerb view window co-driver door
<b>01605</b> Cab suspension mechanical reinforced	<b>00915</b> Side no glass / rear single glass
<b>09983</b> Fog lights	<b>09101</b> Green tinted glass, heated
<b>09984</b> Fog lights and cornering lights	<b>09282</b> Mirror brackets, body 2.30-2.40 m
<b>06629</b> Two hazard beacon lights	<b>09283</b> Mirror brackets, body 2.40-2.50 m

## AERODYNAMICS

### Optional

<b>09286</b> Roof air deflector prepared	<b>07092</b> Adjustable roof air deflector low (set)
<b>06776</b> Adjustable roof air deflector	<b>09287</b> Side collars prepared
<b>07109</b> Adjustable roof air deflector high (set)	<b>07112</b> Side collars long (set)

## COLOURS

; Head lamp panel and bumper: Stone Grey; Lower step cover, cab steps and wing Stone Grey.; Chassis colour grey..

### Optional

<b>06150</b> Solid cab colour	<b>06485</b> Head lamp panel and bumper: cab colour
<b>01162</b> Cab colour H3279 Brilliant White	<b>00733</b> Lower step cab colour, cab steps and wing Grey
<b>00061</b> Special solid cab colour	<b>00617</b> Lower step cover, cab steps and wing in cab colour
<b>06151</b> Cab metallic colour	<b>16153</b> Cab and chassis colours
<b>04431</b> Special metallic cab colour	

## CAB INTERIOR

Mechanically adjustable steering column; Driver seat: air suspended; Co-driver seat: fixed velour; Storage box on engine tunnel.

### Optional

<b>09271</b> Steering wheel, leather, colour black	<b>09106</b> Dual mate seat, luxury version
<b>03516</b> Pneumatically adjustable steering column	<b>00967</b> Seat belts red
<b>03376</b> Dual mate seat, vinyl	<b>04246</b> Roof hatch, manual control
<b>00072</b> Dual mate seat, velour	<b>04258</b> Roof hatch, electric control
<b>02600</b> Co-driver seat: air suspended	

## COMMUNICATION AND DRIVING MANAGEMENT

FMS connector, prepared; Tachograph digital, Stoneridge 1C version G2V2; Driver Performance Assistant.

### Optional

<b>16155</b> Audio equipment, makes and types
---

## SAFETY AND SECURITY

Speed limit recognition; DAF drowsiness detection; Drive-off Assist.

### Optional

<b>08631</b> Air bag (driver) and 2 seat belt tensioners
--

## SUSPENSION AND AXLES

Front axle type F60. Parabolic leaf suspension with shock absorbers and stabiliser. Max. load 6.0 tonnes.; Single reduction driven rear axle type SR10.26 with parabolic leaf suspension, including shock absorbers and stabiliser. Max. load 10.5 tonnes..

### Optional

<b>09090</b> Rear: 10.50 t, air suspension, SR10.26	<b>01372</b> Rear springs air
---	-------------------------------

## WHEELS AND TYRES

Front axle(s): 285/70R19.5; Driven rear axle(s): 285/70R19.5; Goodyear; Wheel protection rings silvergrey.

### Optional

<b>06764</b> Wheel protection rings black	<b>16152</b> Tyre makes and types
---	-----------------------------------

## DRIVELINE

Electric motor type EX-M2; 190 kW; Battery Electric Vehicle; Rear axle ratio 4.10.

### Optional

<b>02843</b> Mechanical differential lock
---

## BRAKE SYSTEM

### Optional

<b>09524</b> Park brake control with spoken warning
---

## CHASSIS

Wheelbase 4.80 m / rear overhang 2.63 m; Side member height 270 mm; Battery box LH rear, no spare wheel carrier; Battery pack H-type; 2 HV battery packs: L1+R1, H-type; 2 HV battery packs; Spray suppression.

### Optional

<b>00585</b> Battery box LH rear, spare wheel carrier RH	<b>01623</b> Rear underrun protection
<b>04181</b> Battery pack C-type	<b>07071</b> Spare wheel carrier right-hand side
<b>00684</b> 2 HV battery packs: L1+R1, C-type	<b>03323</b> Rear light with LEDs

## DRAWBAR AND TRAILER EQUIPMENT

Closing member D-value = 0kN.

## BODIES AND PREPARATIONS FOR BODYING

No BodyBuilder Module (BBM); Standard body attachment hole pattern.

### Optional

<b>09952</b> BodyBuilder Module (BBM) full	<b>07487</b> Body attachment BAM 1, loose consoles supply
<b>01502</b> No side marker lights	<b>07488</b> Body attachment BAM 3, loose consoles supply

## 24V POWER SUPPLY

### Optional

<b>01257</b> Batteries 2x140Ah	<b>08797</b> Batteries 2x175Ah
--------------------------------	--------------------------------

## APPLICATION CONDITIONS

### Optional

01282 Moderate climate

## VEHICLE DELIVERY

Standard toolkit.

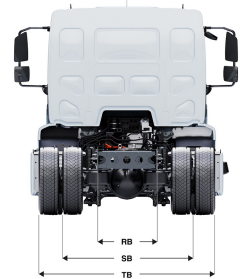
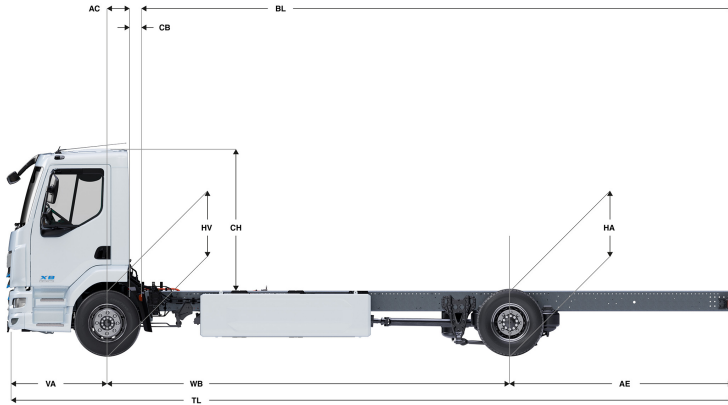
### Optional

06491 Toolkit Eastern Europe

Go to [DAF.com](https://www.daf.com) to configure your own perfect DAF.

# XB 190

FA 4X2 Rigid, 16t Electric



	Wheelbase - AE		Unladen weight <sup>1)</sup>			Gross Carrying Capacity			Variable dimensions									
	WB	AE <sup>5)</sup>	Front	Rear	Total	Front	Rear	Total	AC	CB <sup>6)</sup>	CH <sup>7)</sup>	BL <sup>8)</sup>	BL	TL	HA <sup>9)</sup>	HA <sup>10)</sup>	TK <sup>11)</sup>	TW <sup>12)</sup>
DAY CAB	4,50	2,45	4076	2699	6775	1924	7801	9225	0,27	0,24	1,88	6,11	6,59	8,29	0,94	0,91	14,46	15,75
	4,80	2,63	4183	2669	6852	1817	7831	9148	0,27	0,24	1,88	6,68	7,19	8,77	1,07	0,94	15,21	16,50
	5,35	2,96	4292	2544	6836	1708	7956	9164	0,27	0,24	1,88	7,70	8,26	9,65	1,07	0,94	16,58	17,90
	5,60	2,40	4365	2462	6827	1635	8038	9173	0,27	0,24	1,88	8,19	8,79	9,34	1,08	0,96	17,20	18,53
	5,90	3,29	4403	2504	6907	1597	7996	9093	0,27	0,24	1,88	8,73	9,35	10,53	1,08	0,94	17,95	19,29
	6,30	3,53	4466	2467	6933	1534	8033	9067	0,27	0,24	1,88	9,46	10,13	11,17	1,08	0,94	18,95	20,30
	6,70	2,90	4602	2460	7063	1398	8040	8937	0,27	0,24	1,88	10,30	11,03	10,94	1,08	0,96	19,96	21,31

OTHER DIMENSIONS VA: 1,34 HV<sup>13)</sup>: 0,96 HV<sup>14)</sup>: 0,94 RB: 0,79 SB: 1,75 TB<sup>15)</sup>: 2,35

1) GVM in conformity with registration documents.  
 2) GCM in conformity with registration documents.  
 3) Axle load with standard tyre size.  
 4) Chassis and cab weight calculated with: Standard specification items only with 3 litres of fuel, 0 litres of AdBlue® and driver of 90 kg, tolerance ± 3%. Changing of the specification can have major impact on vehicle weight.  
 5) Other AE dimensions may be available for shown WB. Modify rear overhang to the calculated body length.  
 6) CB is based on standard air intake and/or exhaust.  
 7) Cab height is measured from frame member to closed cabin roof hatch.

8) Calculate customer specific body length with TOPEC. Body lengths shown based on evenly distributed load at max axle load.  
 9) Unladen height at centre of driven axle(s).  
 10) Laden height at centre of driven axle(s).  
 11) TK = turning circle between kerbs.  
 12) TW = turning circle between walls.  
 13) Unladen height at centre of front axle(s).  
 14) Laden height at centre of front axle(s).  
 15) TB is overall width at rear. (At centre of front axle 255).

Depending on the vehicle configuration a specific option may not be possible. The availability and specification of this vehicle may differ per country. For further information please contact the DAF organisation. Pictures and technical illustrations are not binding in detail and can differ from the standard specification. Subject to modification without prior notice.