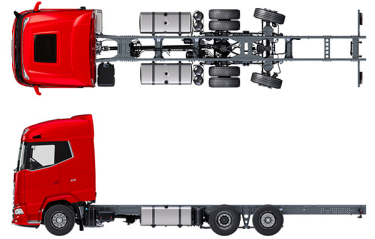


Specification sheet

XG 450

FAN 6X2 Rigid, Low Deck



ENGINES

XG NewGen 450 MX-11 (330 kW / 449 hp)
XG NewGen 430 MX-13 (315 kW / 428 hp)
XG NewGen 480 MX-13 (355 kW / 483 hp)
XG NewGen 530 MX-13 (390 kW / 530 hp)

GVM¹⁾

26000 kg
Max. front 7500 kg
Max. rear 18999 kg

GCM²⁾

44000 kg

CAB EXTERIOR

Luxurious cab for XG series, with unrivalled aerodynamics for fuel efficient driving and low CO2 emissions. The huge and deep frontscreen, curved at the sides combined with large side windows offer an unsurpassed direct view for the driver, to enhance road safety. The cab interior is extremely comfortable for driving, living and sleeping with unprecedented spaciousness and practical layout. Cab length: 2690 mm; cab width: 2500 mm. Number of cab entrance steps: 3.; Cab suspension mechanical; LED head lights; Front view mirror.

Optional

- | | |
|---|---|
| 02952 Chassis front execution: bottom plate aero | 06629 Two hazard beacon lights |
| 03358 External sun visor | 03232 Front windscreen with solar control foil |
| 03922 Fog lights front | 01550 No front view mirror |
| 00949 LED Skylights; aux. LED lights on cab rf, prepared | 01362 DAF Digital Vision System |
| 01925 Two LED work lamps for cab rear wall | 01913 DAF Corner View |
| 01891 Hazard beacons on cab front, prepared | |

AERODYNAMICS

Optional

- | | |
|---|---|
| 01562 Adj. roof air deflector; over 4 m (!) for XG cab | 00063 Adjustable roof air deflector for XG cab |
|---|---|

COLOURS

Cab colour E1980 Crystal White; Chassis colour grey.; Colour of bumper: Crystal White.

CAB INTERIOR

Cab interior trim colour: Exclusive; Dashboard finish: Plateau; Cab interior decoration: Hexagon; Driver seat: Comfort Air; Arm rest driver seat; Co-driver seat: cinema with fabric cover; Dashboard table; Storage compartment in centre; Luggage carrier; Automatic Temperature Control and airco; Auxilliary cab heater (water); No roof hatch.

Optional

- | | |
|--|---|
| 02355 Steering wheel, leather | 04069 Two refrigerators |
| 02043 Dashboard finish: Vision | 02854 Xtra Comfort mattress for lower bunk |
| 02353 Cab interior decoration: Argenta | 02841 Foam mattress for adjustable lower bunk |
| 02350 Cab interior decoration: Natura | 01775 Xtra Comfort mattress with topper for lower bunk |
| 07733 Driver seat: Luxury Air | 02858 Xtra Comfort mattress for adjustable lower bunk |
| 07736 Driver seat: Super Air | 02860 Xtra Comfort mattress + topper for adj. lower bunk |
| 07737 Driver seat: Xtra Leather Air | 02380 Mattress for DAF Relax Bed |
| 02241 Driver seat, swivel base | 04150 Mattress with topper for DAF Relax Bed |
| 06469 Storage compartment with drawer in centre | 01066 Upper bunk |
| 04070 Two drawers | 06970 Automatic Cab Climate Control |
| 04050 Refrigerator and drawer | 01967 Park air conditioning, integrated |

COMMUNICATION AND DRIVING MANAGEMENT

PACCAR Connect; Tachograph digital, Stoneridge 1C version G2V2; Speed limiter setting 85/90 km/h; DAF Infotainment Luxury with Luxury speakers; Adaptive Cruise Control with FCW and AEBS-3; Driver Performance Assistant.

Optional

- | | |
|---|---|
| 09681 Preparation for Maut | 03470 DAF Infotainment System: Exclusive, prepared |
| 06211 DAF Infotainment System with FM/DAB/DAB+ radio | 01915 DAF Infotainment System: Luxury Plus |

SAFETY AND SECURITY

DAF drowsiness detection; Lane Departure Warning System; Vehicle Stability Control (VSC); Basic engine immobiliser system.

Optional

- | | |
|--|--|
| 08631 Air bag (driver) and 2 seat belt tensioners | 00795 Safety regulations EC ADR |
| 02569 No Driver State Monitoring | 01952 No DAF Side/Turn Assist |

SUSPENSION AND AXLES

Front: 8.00 t, air suspension, 161N; Rear axle load 11.50 t; Rear: 19.50 t, air suspension, SR1344; Trailing axle load 8.0t; No lifting device.

Optional

- | | |
|-------------------------------|-----------------------------------|
| 04588 Rear axle SR1347 | 08191 Axle load monitoring |
|-------------------------------|-----------------------------------|

WHEELS AND TYRES

Driven rear axle(s): 315/60R22.5; F1,315/60R22.5GO FMXSE 154/148 L Steering BBB 3P; R1,315/60R22.5GO GFDND 152/148 L Traction BBB 3P; R2,315/60R22.5GO FMXSE 154/148 L Steering BBB 3P.

Optional

- | |
|-----------------------------------|
| 16152 Tyre makes and types |
|-----------------------------------|

DRIVELINE

Engine MX-11, multi torque 6 cylinder diesel engine, 10.8 litres. Output 330 kW (449 hp) at 1600 rpm. Maximum torque 2350 Nm at 900-1125 rpm.; Exhaust emission Euro 6; Eco fuel; 12-speed TraXon 12TX2210 DD, 16.69-1.00; Gearbox ratio 16.69-1.00; Rear axle ratio 2.38.

Optional

- | | |
|---|--|
| 07110 Eco performance | 08371 Long Combination Vehicle (LCV) |
| 07101 Standard transport, Lite version | 09638 Off-road applications |
| 09636 Heavy haulage | 01498 Off-road applications with Rock-free function |
| 09637 Liquid transport | 02843 Mechanical differential lock |

BRAKE SYSTEM

MX Engine Brake; Ventilated disc brakes front and rear. Dual circuit air system with electronic control (EBS). Engine driven, water cooled aire compressor with automatic air heated dryer..

Optional

- | | |
|---|---|
| 02715 ZF Intarder | 01497 Park brake control pneumatic with spoken warning |
| 01572 Park brake control electro-pneumatic | |

CHASSIS

Wheelbase 4.60 m / rear overhang 2.75 m; Side member height 260 mm; Standard component location; 450 l alu fuel tank LH, height 505 mm; Tank for AdBlue® 45 l, left-hand side chassis; Front underrun protection (FUP); Spray suppression.

Optional

- 16157** Fuel tanks, material and sizes
03323 Rear light with LEDs
07071 Spare wheel carrier right-hand side

DRAWBAR AND TRAILER EQUIPMENT

D-value cross member D=13.7; Pneumatic trailer connection C-type; Electric connection 24 V / 2x7 pins.

Optional

- 07033** Trailer coupling Ringfeder D=13.7
08027 Trailer coupling Rockinger D=20.0
07034 Trailer coupling Ringfeder D=20.0
04659 Trailer cable EBS
08026 Trailer coupling Rockinger D=13.0

BODIES AND PREPARATIONS FOR BODYING

Application connector chassis.

Optional

- 09421** Additional spare wiring
08121 Tail lift application

POWER TAKE-OFF (PTO)

Optional

- 16148** PTO types and positions

24V POWER SUPPLY

Alternator 130 A, batteries 2x 230 Ah..

Optional

- 08775** Alternator 150 A
07671 Batteries 2x210Ah AGM C-type

GVM AND GCM

Chassis weight related technical GVM max 27000 kg; Driveline related max GCM 44000 kg class 2.

APPLICATION CONDITIONS

Air intake front.

Optional

- 08400** Silent mode
06614 Anti-dust blow-up shield
02260 Extra cab insulation

SERVICE AND MAINTENANCE

Standard Warranty takes care of 1 year complete vehicle as supplied by the OEM (excl. real wear parts), 2nd year driveline and 1st year breakdown.; ITS service.

Optional

- 08311** Service interval extended

VEHICLE DELIVERY

Minimum toolkit.

Optional

- 07569** Lifting jack

OPTION PACKAGES

Optional

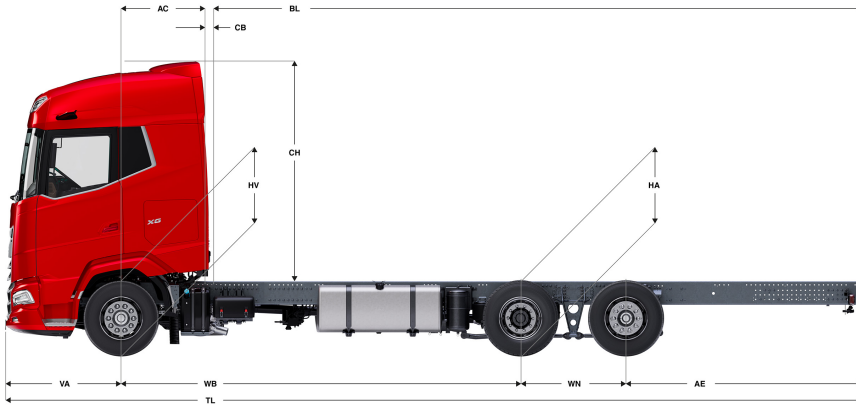
- 17448** Safety pack
17625 Climate Pack
17596 Executive Pack XG/XG+



Go to [DAF.com](https://www.daf.com) to configure your own perfect DAF.

XG 450

FAN 6X2 Rigid, Low Deck



XG CAB	Wheelbase - AE		Unladen weight ⁹⁾			Gross Carrying Capacity			Variable dimensions									
	WB	AE ⁵⁾	Front	Rear	Total	Front	Rear	Total	AC	CB ⁶⁾	CH	BL ⁷⁾	BL	TL	HA ⁸⁾	HA ⁹⁾	TK ¹⁰⁾	TW ¹¹⁾
	4,60	2,75	5263	3517	8780	2237	15482	17220	1,16	0,07	2,83	6,43	6,43	10,28	0,89	0,89	15,56	16,98
	4,80	2,90	5272	3589	8861	2228	15410	17139	1,16	0,07	2,83	6,77	6,77	10,63	0,89	0,89	16,08	17,51
	5,05	3,10	5263	3634	8897	2237	15365	17103	1,16	0,07	2,83	7,20	7,20	11,08	0,89	0,89	16,73	18,17
	5,30	3,15	5268	3656	8925	2232	15342	17075	1,16	0,07	2,83	7,63	7,63	11,38	0,89	0,89	17,39	18,83

OTHER DIMENSIONS VA: 1,53 WN: 1,40 HV¹²⁾: 0,89 HV¹³⁾: 0,89 RB: 0,79 SB: 1,82 TB¹⁴⁾: 2,48

1) GVM in conformity with registration documents.
 2) GCM in conformity with registration documents.
 3) Axle load with standard tyre size.
 4) Chassis and cab weight calculated with: Standard specification items only with 450 litres of fuel, 45 litres of AdBlue® and driver of 90 kg, tolerance ± 3%. Changing of the specification can have major impact on vehicle weight.
 5) Other AE dimensions may be available for shown WB. Modify rear overhang to the calculated body length.
 6) CB is based on standard air intake and/or exhaust.
 7) Calculate customer specific body length with TOPEC. Body lengths shown based on evenly distributed load at max axle load.

8) Unladen height at centre of driven axle (trailing axle down).
 9) Laden height at centre of driven axle(s).
 10) TK = turning circle between kerbs.
 11) TW = turning circle between walls.
 12) Unladen height at centre of front axle(s).
 13) Laden height at centre of front axle(s).
 14) TB is overall width at rear. (At centre of front axle 255).

Depending on the vehicle configuration a specific option may not be possible. The availability and specification of this vehicle may differ per country. For further information please contact the DAF organisation. Pictures and technical illustrations are not binding in detail and can differ from the standard specification. Subject to modification without prior notice.