

Specification sheet

XG 450

FAR 6X2 Rigid, single mounted trailing axle



ENGINES

- XG NewGen 450 MX-11 (330 kW / 449 hp)
- XG NewGen 430 MX-13 (315 kW / 428 hp)
- XG NewGen 480 MX-13 (355 kW / 483 hp)
- XG NewGen 530 MX-13 (390 kW / 530 hp)

GVM¹⁾

- 26000 kg
- Max. front 8000 kg
- Max. rear 19000 kg

GCM²⁾

- 44000 kg

016F0329CAAA - 202501H - 18-09-2024

DAF Trucks Ltd, UK, Haddenham, HP17 8LJ, www.daf.co.uk

CAB EXTERIOR

Luxurious cab for XG series, with unrivalled aerodynamics for fuel efficient driving and low CO2 emissions. The huge and deep frontscreen, curved at the sides combined with large side windows offer an unsurpassed direct view for the driver, to enhance road safety. The cab interior is extremely comfortable for driving, living and sleeping with unprecedented spaciousness and practical layout. Cab length: 2690 mm; cab width: 2500 mm. Number of cab entrance steps: 3.; Cab suspension mechanical; LED head lights; Front view mirror.

Optional

02889 Chassis front execution: no bottom plate	01891 Hazard beacons on cab front, prepared
02952 Chassis front execution: bottom plate aero	06629 Two hazard beacon lights
03358 External sun visor	03232 Front windscreen with solar control foil
03922 Fog lights front	01550 No front view mirror
00949 LED Skylights; aux. LED lights on cab rf, prepared	01362 DAF Digital Vision System
01925 Two LED work lamps for cab rear wall	01913 DAF Corner View

AERODYNAMICS

Optional

01562 Adj. roof air deflector; over 4 m (!) for XG cab	00063 Adjustable roof air deflector for XG cab
---	---

COLOURS

Cab colour E1980 Crystal White; Chassis colour grey.; Colour of bumper: Crystal White.

CAB INTERIOR

Cab interior trim colour: Exclusive; Dashboard finish: Plateau; Cab interior decoration: Hexagon; Driver seat: Comfort Air; Arm rest driver seat; Co-driver seat: cinema with fabric cover; Dashboard table; Storage compartment in centre; Luggage carrier; Automatic Temperature Control and airco; Auxiliary cab heater (water); No roof hatch.

Optional

02355 Steering wheel, leather	04069 Two refrigerators
02043 Dashboard finish: Vision	02854 Xtra Comfort mattress for lower bunk
02353 Cab interior decoration: Argenta	02841 Foam mattress for adjustable lower bunk
02350 Cab interior decoration: Natura	01775 Xtra Comfort mattress with topper for lower bunk
07733 Driver seat: Luxury Air	02858 Xtra Comfort mattress for adjustable lower bunk
07736 Driver seat: Super Air	02860 Xtra Comfort mattress + topper for adj. lower bunk
07737 Driver seat: Xtra Leather Air	02380 Mattress for DAF Relax Bed
02241 Driver seat, swivel base	04150 Mattress with topper for DAF Relax Bed
06469 Storage compartment with drawer in centre	01066 Upper bunk
04070 Two drawers	06970 Automatic Cab Climate Control
04050 Refrigerator and drawer	01967 Park air conditioning, integrated

COMMUNICATION AND DRIVING MANAGEMENT

PACCAR Connect; Tachograph digital, Stoneridge 1C version G2V2; Speed limiter setting 85/90 km/h; DAF Infotainment Luxury with Luxury speakers; Adaptive Cruise Control with FCW and AEBS-3; Driver Performance Assistant.

Optional

09681 Preparation for Maut	03470 DAF Infotainment System: Exclusive, prepared
06211 DAF Infotainment System with FM/DAB/DAB+ radio	01915 DAF Infotainment System: Luxury Plus

SAFETY AND SECURITY

DAF drowsiness detection; Lane Departure Warning System; Vehicle Stability Control (VSC); Basic engine immobiliser system.

Optional

08631 Air bag (driver) and 2 seat belt tensioners	00795 Safety regulations EC ADR
02569 No Driver State Monitoring	01952 No DAF Side/Turn Assist

SUSPENSION AND AXLES

Front: 8.00 t, parabolic, 163N; Rear axle load 12.00 t; Rear: 19.50 t, air suspension, SR1344; Trailing axle load 7.5t; Lifting device.

Optional

06257 Front axle load 9.00 t	04588 Rear axle SR1347
06095 Front axle load 10.00 t	03040 Rear axle load 11.50 t
04647 Front springs air	08191 Axle load monitoring
04057 Rear axle HR1356	

WHEELS AND TYRES

Driven rear axle(s): 315/70R22.5; F1,315/70R22.5GO FMXSE 156/150 L Steering BBA 3P; R1,315/70R22.5GO FMXDE 154/150 L Traction BBA 3P; R2,315/70R22.5GO FMXSE 156/150 L Steering BBA 3P.

Optional

16152 Tyre makes and types

DRIVELINE

Engine MX-11, multi torque 6 cylinder diesel engine, 10.8 litres. Output 330 kW (449 hp) at 1600 rpm. Maximum torque 2350 Nm at 900-1125 rpm.; Exhaust emission Euro 6; Eco fuel; 12-speed TraXon 12TX2210 DD, 16.69-1.00; Gearbox ratio 16.69-1.00; Rear axle ratio 2.38.

Optional

07110 Eco performance	08371 Long Combination Vehicle (LCV)
02314 Gearbox overdrive	09638 Off-road applications
07101 Standard transport, Lite version	01498 Off-road applications with Rock-free function
09636 Heavy haulage	02843 Mechanical differential lock
09637 Liquid transport	

BRAKE SYSTEM

MX Engine Brake; Ventilated disc brakes front and rear. Dual circuit air system with electronic control (EBS). Engine driven, water cooled aire compressor with automatic air heated dryer..

Optional

- | | | | |
|-------|--|-------|--|
| 02715 | ZF Intarder | 04901 | Spring brake cylinders on the first front axle |
| 01572 | Park brake control electro-pneumatic | 00929 | Driven rear axle with drum brakes |
| 01497 | Park brake control pneumatic with spoken warning | | |

CHASSIS

Wheelbase 4.60 m / rear overhang 2.55 m; Side member height 310 mm; Standard component location; 340 l alu fuel tank LH, height 620 mm; Tank for AdBlue® 45 l, left-hand side chassis; Front underrun protection (FUP); Spray suppression.

Optional

- | | | | |
|-------|--------------------------------|-------|-------------------------------------|
| 02393 | Side member height 260 mm | 07071 | Spare wheel carrier right-hand side |
| 16157 | Fuel tanks, material and sizes | 03323 | Rear light with LEDs |

DRAWBAR AND TRAILER EQUIPMENT

D-value cross member D=13.7; Pneumatic trailer connection C-type; Electric connection 24 V / 2x7 pins.

Optional

- | | | | |
|-------|-----------------------------------|-------|-----------------------------------|
| 07033 | Trailer coupling Ringfeder D=13.7 | 08027 | Trailer coupling Rockinger D=20.0 |
| 07034 | Trailer coupling Ringfeder D=20.0 | 04659 | Trailer cable EBS |
| 08026 | Trailer coupling Rockinger D=13.0 | | |

BODIES AND PREPARATIONS FOR BODYING

Application connector chassis.

Optional

- | | | | |
|-------|-----------------------------|-------|--|
| 09421 | Additional spare wiring | 09208 | Chassis preparation for BDF Multi system |
| 09201 | Chassis preparation for BDF | 08121 | Tail lift application |

POWER TAKE-OFF (PTO)

Optional

- 16148 PTO types and positions

24V POWER SUPPLY

Alternator 110 A, batteries 2x 230 Ah..

Optional

- | | | | |
|-------|------------------|-------|------------------------------|
| 04492 | Alternator 130 A | 07671 | Batteries 2x210Ah AGM C-type |
| 08775 | Alternator 150 A | | |

GVM AND GCM

Chassis weight related technical GVM max 27000 kg; Driveline related max GCM 44000 kg class 2.

APPLICATION CONDITIONS

Air intake front.

Optional

- | | | | |
|-------|----------------------|-------|--------------------------|
| 02260 | Extra cab insulation | 06614 | Anti-dust blow-up shield |
|-------|----------------------|-------|--------------------------|

SERVICE AND MAINTENANCE

Standard Warranty takes care of 1 year complete vehicle as supplied by the OEM (excl. real wear parts), 2nd year driveline and 1st year breakdown.; ITS service.

Optional

- 08311 Service interval extended

VEHICLE DELIVERY

Minimum toolkit.

Optional

- 07569 Lifting jack

OPTION PACKAGES

Optional

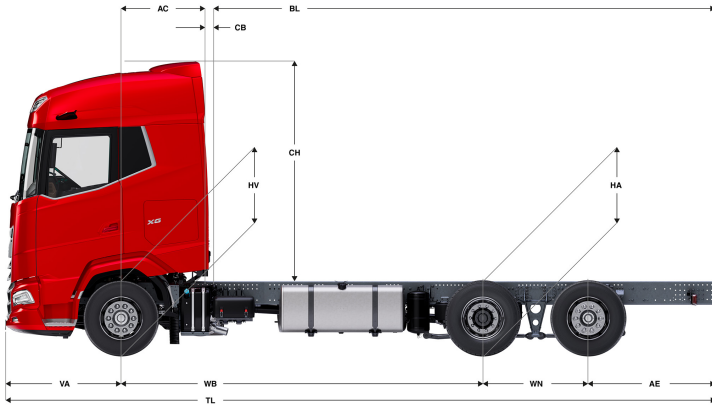
- | | | | |
|-------|-----------------------|-------|--------------|
| 17448 | Safety pack | 17625 | Climate Pack |
| 17596 | Executive Pack XG/XG+ | | |



Go to [DAF.com](https://www.daf.com) to configure your own perfect DAF.

XG 450

FAR 6X2 Rigid, single mounted trailing axle



	Wheelbase - AE		Unladen weight ¹⁾			Gross Carrying Capacity			Variable dimensions									
	WB	AE ³⁾	Front	Rear	Total	Front	Rear	Total	AC	CB ⁶⁾	CH	BL ⁷⁾	BL	TL	HA ⁸⁾	HA ⁹⁾	TK ¹⁰⁾	TW ¹¹⁾
XG CAB	4,60	2,55	4993	3561	8554	3007	15439	17446	1,16	0,07	2,78	6,14	6,14	10,08	1,02	0,99	17,01	18,45
	4,80	2,70	4987	3598	8586	3013	15402	17414	1,16	0,07	2,78	6,46	6,46	10,43	1,02	0,99	17,53	18,98
	5,05	2,90	4981	3646	8627	3019	15354	17373	1,16	0,07	2,78	6,88	6,88	10,88	1,02	0,99	18,19	19,64
	5,30	2,90	4979	3631	8609	3021	15369	17391	1,16	0,07	2,78	7,29	7,29	11,13	1,02	0,99	18,84	20,30
	5,60	2,85	5016	3686	8702	2984	15314	17298	1,16	0,07	2,78	7,80	7,80	11,38	1,02	0,99	19,63	21,10
	5,90	2,80	5033	3695	8727	2967	15305	17273	1,16	0,07	2,78	8,31	8,31	11,63	1,02	0,99	20,41	21,89
	6,10	2,80	5041	3706	8747	2959	15294	17253	1,16	0,07	2,78	8,64	8,64	11,83	1,02	0,99	20,94	22,42

OTHER DIMENSIONS VA: 1,53 WN: 1,40 HV¹²⁾: 1,02 HV¹³⁾: 1,00 RB: 0,79 SB: 1,82 TB¹⁴⁾: 2,48

1) GVM in conformity with registration documents.
 2) GCM in conformity with registration documents.
 3) Axle load with standard tyre size.
 4) Chassis and cab weight calculated with: Standard specification items only with 340 litres of fuel, 45 litres of AdBlue® and driver of 90 kg, tolerance ± 3%. Changing of the specification can have major impact on vehicle weight.
 5) Other AE dimensions may be available for shown WB. Modify rear overhang to the calculated body length.
 6) CB is based on standard air intake and/or exhaust.
 7) Calculate customer specific body length with TOPEC. Body lengths shown based on evenly distributed load at max axle load.

8) Unladen height at centre of driven axle (trailing axle down).
 9) Laden height at centre of driven axle(s).
 10) TK = turning circle between kerbs.
 11) TW = turning circle between walls.
 12) Unladen height at centre of front axle(s).
 13) Laden height at centre of front axle(s).
 14) TB is overall width at rear. (At centre of front axle 255).

Depending on the vehicle configuration a specific option may not be possible. The availability and specification of this vehicle may differ per country. For further information please contact the DAF organisation. Pictures and technical illustrations are not binding in detail and can differ from the standard specification. Subject to modification without prior notice.