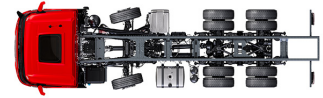


Specification sheet

XD 370

FAD 8X4 Rigid, Mixer



ENGINES

XD NewGen 370 MX-11 (270 kW / 367 hp)

XD NewGen 410 MX-11 (300 kW / 408 hp)

XD NewGen 450 MX-11 (330 kW / 449 hp)

GVM¹⁾

32000 kg

Max. front 14200 kg

Max. rear 19000 kg

GCM²⁾

35500 kg

CAB EXTERIOR

Luxurious Day Cab with unrivalled aerodynamics for fuel efficient driving and low CO2 emissions. The huge and deep frontscreen, curved at the sides combined with large side windows offer an unsurpassed direct view for the driver, to enhance road safety. Cab length: 2030 mm; cab width: 2500 mm. Number of cab entrance steps: 3.; Cab suspension mechanical; LED head lights; DAF Corner View.

Optional

07018 Sleeper Cab	00949 LED Skylights; aux. LED lights on cab rf, prepared
06244 Sleeper High Cab	01925 Two LED work lamps for cab rear wall
07586 Chassis front execution: robust	01891 Hazard beacons on cab front, prepared
01226 Cab suspension air	06629 Two hazard beacon lights
03358 External sun visor	03232 Front windscreen with solar control foil
03922 Fog lights front	03317 Rear window: double glass
00936 Auxiliary LED lights on cab roof, prepared	07343 Kerb view window co-driver door
01836 LED Skylights	01362 DAF Digital Vision System

AERODYNAMICS

Optional

00008 Adj. roof air deflector short Sleeper High Cab	00082 Adj. roof air deflector for Day Cab
00124 Adj. rf air defl.long mid >4m(!) Sleeper High Cab	00097 Adj. roof air deflector for Sleeper Cab
01538 Adj. roof air defl. long high >4m(!) Sleeper High	00020 Adj. roof air deflector long low Sleeper High Cab

COLOURS

Cab colour E1980 Crystal White; Chassis colour grey.; Colour of bumper: Crystal White.

CAB INTERIOR

Cab interior trim colour: Luxury; Dashboard finish: Vision; Cab interior decoration: Hexagon; Driver seat: Comfort Air; Co-driver seat: cinema with fabric cover; No dashboard table; Storage compartment in centre; Automatic Temperature Control and airco; No auxiliary cab heater.

Optional

02354 Steering wheel with silver accents	02117 Third seat
02355 Steering wheel, leather	02837 Dashboard table
02353 Cab interior decoration: Argenta	03948 Single drawer
02350 Cab interior decoration: Natura	03954 Refrigerator
07733 Driver seat: Luxury Air	02838 Foam mattress for lower bunk
07736 Driver seat: Super Air	02854 Xtra Comfort mattress for lower bunk
07737 Driver seat: Xtra Leather Air	01775 Xtra Comfort mattress with topper for lower bunk
09541 Arm rest driver seat	06970 Automatic Cab Climate Control
01740 Arm rest at both sides of the driver seat	

COMMUNICATION AND DRIVING MANAGEMENT

PACCAR Connect; Tachograph digital, Stoneridge 1C version G2V2; Speed limiter setting 85/90 km/h; DAF Infotainment Luxury with Luxury speakers; Adaptive Cruise Control (ACC) with FCW; Driver Performance Assistant.

Optional

09681 Preparation for Maut	09908 Cruise control
06211 DAF Infotainment System with FM/DAB/DAB+ radio	08023 Adaptive Cruise Control with FCW and AEBS-3
03470 DAF Infotainment System: Exclusive, prepared	06991 Predictive Cruise Control
01915 DAF Infotainment System: Luxury Plus	

SAFETY AND SECURITY

Lane Departure Warning System; No vehicle stability control; Basic engine immobiliser system; No EC-ADR packages; DAF Side & Turn Assist.

Optional

08631 Air bag (driver) and 2 seat belt tensioners	00795 Safety regulations EC ADR
--	--

SUSPENSION AND AXLES

Front: 2x 7.10 t, parabolic, 163N; Rear axle load 9.50+ 9.50 t; Rear: 19.00 t, trapezium, SR1132T; No lifting device.

WHEELS AND TYRES

Driven rear axle(s): 315/70R22.5; F1,315/70R22.5GO FMXSE 156/150 L Steering BBA 3P; R1,315/70R22.5GO FMXDE 154/150 L Traction BBA 3P.

Optional

16152 Tyre makes and types

DRIVELINE

Engine MX-11, multi torque 6 cylinder diesel engine, 10.8 litres. Output 270 kW (367 hp) at 1600 rpm. Maximum torque 1950 Nm at 900-1125 rpm.; Exhaust emission Euro 6; Eco fuel; 12-speed TraXon 12TX2610 OD, 12.92-0.77; Gearbox ratio 12.92-0.77; Rear axle ratio 3.73.

Optional

07110 Eco performance	09638 Off-road applications
01514 Urge-to-move	01498 Off-road applications with Rock-free function
09637 Liquid transport	03720 No ASR

BRAKE SYSTEM

MX Engine Brake; Ventilated disc brakes front and rear. Dual circuit air system with electronic control (EBS).Engine driven, water cooled aire compressor with automatic air heated dryer..

Optional

09920 No MX Engine Brake	01497 Park brake control pneumatic with spoken warning
02715 ZF Intarder	00929 Driven rear axle with drum brakes
01572 Park brake control electro -pneumatic	

CHASSIS

Wheelbase 5.70 m / rear overhang 1.65 m; Side member height 310 mm; Standard component location; 340 l alu fuel tank LH, height 620 mm; Tank for AdBlue® 45 l, left below battery box; Front underrun protection (FUP); Spray suppression.

Optional

08641 Air tanks aluminium	03323 Rear light with LEDs
16157 Fuel tanks, material and sizes	

DRAWBAR AND TRAILER EQUIPMENT

Closing member D-value = 0kN.

Optional

- 07033** Trailer coupling Ringfeder D=13.7 **08027** Trailer coupling Rockinger D=20.0
- 07034** Trailer coupling Ringfeder D=20.0 **04659** Trailer cable EBS
- 08026** Trailer coupling Rockinger D=13.0

BODIES AND PREPARATIONS FOR BODYING

Application connector chassis.

Optional

- 09421** Additional spare wiring **09209** Chassis preparation for mixer application

POWER TAKE-OFF (PTO)

Optional

- 16148** PTO types and positions

24V POWER SUPPLY

Alternator 110 A, batteries 2x 140 Ah..

Optional

- 04492** Alternator 130 A **07671** Batteries 2x210Ah AGM C-type
- 08775** Alternator 150 A **06440** Batteries 2x230Ah
- 08797** Batteries 2x175Ah

GVM AND GCM

Chassis weight related technical GVM max 32000 kg; Driveline related max GCM 35500 kg class 2.

Optional

- 01208** Driveline related max GCM 35500 kg class 3

APPLICATION CONDITIONS

Air intake front.

Optional

- 02260** Extra cab insulation **06614** Anti-dust blow-up shield
- 03648** Cyclonic air intake high

SERVICE AND MAINTENANCE

Standard Warranty takes care of 1 year complete vehicle as supplied by the OEM (excl. real wear parts), 2nd year driveline and 1st year breakdown.; ITS service.

Optional

- 08311** Service interval extended

VEHICLE DELIVERY

Minimum toolkit.

Optional

- 07569** Lifting jack

OPTION PACKAGES

Optional

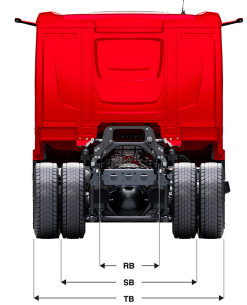
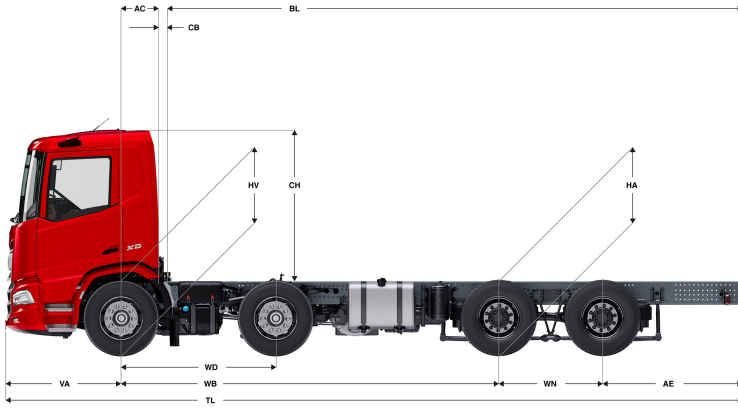
- 17448** Safety pack **17595** Executive Pack XD/XF



Go to [DAF.com](https://www.daf.com) to configure your own perfect DAF.

XD 370

FAD 8X4 Rigid, Mixer



	Wheelbase - AE		Unladen weight ¹⁾			Gross Carrying Capacity			Variable dimensions									
	WB	AE ⁵⁾	Front	Rear	Total	Front	Rear	Total	AC	CB ⁶⁾	CH	BL ⁷⁾	BL	TL	HA ⁸⁾	HA ⁹⁾	TK ¹⁰⁾	TW ¹¹⁾
DAY CAB	5,05	1,65	6689	2557	9246	7511	16443	22754	0,50	0,07	2,01	6,31	6,73	8,23	1,16	1,09	18,39	19,70
	5,30	1,65	6711	2710	9421	7489	16290	22579	0,50	0,07	2,01	6,63	7,08	8,48	1,16	1,09	19,12	20,43
	5,70	1,65	6644	2813	9457	7556	16187	22543	0,50	0,07	2,01	7,14	7,61	8,88	1,16	1,09	20,28	21,60
SLEEPER CAB	5,05	1,65	6827	2533	9360	7373	16467	22640	0,83	0,07	2,01	5,69	6,10	8,23	1,16	1,09	18,39	19,70
	5,30	1,65	6847	2688	9535	7353	16312	22465	0,83	0,07	2,01	6,01	6,46	8,48	1,16	1,09	19,12	20,43
	5,70	1,65	6778	2792	9570	7422	16208	22430	0,83	0,07	2,01	6,51	7,00	8,88	1,16	1,09	20,28	21,60
SLEEPER HIGH CAB	5,05	1,65	6865	2524	9389	7335	16476	22611	0,83	0,07	2,49	5,69	6,11	8,23	1,16	1,09	18,39	19,70
	5,30	1,65	6885	2680	9564	7315	16320	22436	0,83	0,07	2,49	6,02	6,47	8,48	1,16	1,09	19,12	20,43
	5,70	1,65	6815	2785	9600	7385	16215	22400	0,83	0,07	2,49	6,52	7,01	8,88	1,16	1,09	20,28	21,60

OTHER DIMENSIONS	VA: 1,53	WD: 2,05	WT: 1,40	HV ¹²⁾ : 1,06	HV ¹³⁾ : 0,97	RB: 0,79	SB: 1,82	TB ¹⁴⁾ : 2,48
------------------	----------	----------	----------	--------------------------	--------------------------	----------	----------	--------------------------

1) GVM in conformity with registration documents.
 2) GCM in conformity with registration documents.
 3) Axle load with standard tyre size.
 4) Chassis and cab weight calculated with: Standard specification items only with 340 litres of fuel, 45 litres of AdBlue® and driver of 90 kg, tolerance ± 3%. Changing of the specification can have major impact on vehicle weight.
 5) Other AE dimensions may be available for shown WB. Modify rear overhang to the calculated body length.
 6) CB is based on standard air intake and/or exhaust.
 7) Calculate customer specific body length with TOPEC. Body lengths shown based on evenly distributed load at max axle load.

8) Unladen height at centre of driven axle(s).
 9) Laden height at centre of driven axle(s).
 10) TK = turning circle between kerbs.
 11) TW = turning circle between walls.
 12) Unladen height at centre of front axle(s).
 13) Laden height at centre of front axle(s).
 14) TB is overall width at rear. (At centre of front axle 255).

Depending on the vehicle configuration a specific option may not be possible. The availability and specification of this vehicle may differ per country. For further information please contact the DAF organisation. Pictures and technical illustrations are not binding in detail and can differ from the standard specification. Subject to modification without prior notice.