

# Specification sheet

## XD 300

FAN 6X2 Rigid



### ENGINES

- XD NewGen 300 MX-11 (220 kW / 299 hp)
- XD NewGen 340 MX-11 (251 kW / 341 hp)
- XD NewGen 370 MX-11 (270 kW / 367 hp)
- XD NewGen 410 MX-11 (300 kW / 408 hp)
- XD NewGen 450 MX-11 (330 kW / 449 hp)

### GVM<sup>1)</sup>

26000 kg

Max. front 8000 kg

Max. rear 19000 kg

### GCM<sup>2)</sup>

38000 kg

016F0121NAAA - 202501H - 18-09-2024

DAF Trucks Ltd, UK, Haddenham, HP17 8LJ, [www.daf.co.uk](http://www.daf.co.uk)

## CAB EXTERIOR

Luxurious Day Cab with unrivalled aerodynamics for fuel efficient driving and low CO2 emissions. The huge and deep frontscreen, curved at the sides combined with large side windows offer an unsurpassed direct view for the driver, to enhance road safety. Cab length: 2030 mm; cab width: 2500 mm. Number of cab entrance steps: 2.; Cab suspension mechanical; LED head lights; DAF Corner View.

### Optional

<b>07018</b> Sleeper Cab	<b>01836</b> LED Skylights
<b>06244</b> Sleeper High Cab	<b>00949</b> LED Skylights; aux. LED lights on cab rf, prepared
<b>02889</b> Chassis front execution: no bottom plate	<b>01925</b> Two LED work lamps for cab rear wall
<b>02952</b> Chassis front execution: bottom plate aero	<b>01891</b> Hazard beacons on cab front, prepared
<b>03353</b> Chassis front execution: protruding	<b>06629</b> Two hazard beacon lights
<b>07586</b> Chassis front execution: robust	<b>03232</b> Front windscreen with solar control foil
<b>01226</b> Cab suspension air	<b>03317</b> Rear window: double glass
<b>03358</b> External sun visor	<b>07343</b> Kerb view window co-driver door
<b>03922</b> Fog lights front	<b>01362</b> DAF Digital Vision System
<b>00936</b> Auxiliary LED lights on cab roof, prepared	

## AERODYNAMICS

### Optional

<b>00008</b> Adj. roof air deflector short Sleeper High Cab	<b>00082</b> Adj. roof air deflector for Day Cab
<b>00124</b> Adj. rf air defl.long mid >4m(!) Sleeper High Cab	<b>00097</b> Adj. roof air deflector for Sleeper Cab
<b>01538</b> Adj. roof air defl. long high >4m(!) Sleeper High	<b>00020</b> Adj. roof air deflector long low Sleeper High Cab
<b>02662</b> Adj. roof air defl. long mid XD Sleeper High Cab	

## COLOURS

Cab colour E1980 Crystal White; Chassis colour grey.; Colour of bumper: Crystal White.

## CAB INTERIOR

Cab interior trim colour: Luxury; Dashboard finish: Vision; Cab interior decoration: Hexagon; Driver seat: Comfort Air; Co-driver seat: cinema with fabric cover; No dashboard table; Storage compartment in centre; Automatic Temperature Control and airco; No auxiliary cab heater.

### Optional

<b>02354</b> Steering wheel with silver accents	<b>02117</b> Third seat
<b>02355</b> Steering wheel, leather	<b>02837</b> Dashboard table
<b>02353</b> Cab interior decoration: Argenta	<b>03948</b> Single drawer
<b>02350</b> Cab interior decoration: Natura	<b>03954</b> Refrigerator
<b>07733</b> Driver seat: Luxury Air	<b>02838</b> Foam mattress for lower bunk
<b>07736</b> Driver seat: Super Air	<b>02854</b> Xtra Comfort mattress for lower bunk
<b>07737</b> Driver seat: Xtra Leather Air	<b>01775</b> Xtra Comfort mattress with topper for lower bunk
<b>09541</b> Arm rest driver seat	<b>06970</b> Automatic Cab Climate Control
<b>01740</b> Arm rest at both sides of the driver seat	

## COMMUNICATION AND DRIVING MANAGEMENT

PACCAR Connect; Tachograph digital, Stoneridge 1C version G2V2; Speed limiter setting 85/90 km/h; DAF Infotainment Luxury with Luxury speakers; Adaptive Cruise Control with FCW and AEBS-3; Driver Performance Assistant.

### Optional

<b>09681</b> Preparation for Maut	<b>03470</b> DAF Infotainment System: Exclusive, prepared
<b>06211</b> DAF Infotainment System with FM/DAB/DAB+ radio	<b>01915</b> DAF Infotainment System: Luxury Plus

## SAFETY AND SECURITY

Lane Departure Warning System; Vehicle Stability Control (VSC); Basic engine immobiliser system; No EC-ADR packages; DAF Side & Turn Assist.

### Optional

<b>08631</b> Air bag (driver) and 2 seat belt tensioners	<b>00795</b> Safety regulations EC ADR
<b>06410</b> Safe Load Pass preparation	

## SUSPENSION AND AXLES

Front: 8.00 t, parabolic, 163N; Rear axle load 13.00 t; Rear: 20.00 t, air suspension, SR1344; Trailing axle load 8.0t; Lifting device.

### Optional

<b>06257</b> Front axle load 9.00 t	<b>04057</b> Rear axle HR1356
<b>06095</b> Front axle load 10.00 t	<b>04588</b> Rear axle SR1347
<b>04647</b> Front springs air	<b>08191</b> Axle load monitoring

## WHEELS AND TYRES

Driven rear axle(s): 315/70R22.5; F1,315/70R22.5GO FMXSE 156/150 L Steering BBA 3P; R1,315/70R22.5GO FMXDE 154/150 L Traction BBA 3P; R2,315/70R22.5GO FMXSE 156/150 L Steering BBA 3P.

### Optional

<b>16152</b> Tyre makes and types
-----------------------------------

## DRIVELINE

Engine MX-11, multi torque 6 cylinder diesel engine, 10.8 litres. Output 220 kW (299 hp) at 1600 rpm. Max. torque 1450 Nm at 900-1400 rpm.; Exhaust emission Euro 6; Eco fuel; 12-speed TraXon 12TX1810 OD, 12.92-0.77; Gearbox ratio 12.92-0.77; Rear axle ratio 3.08.

### Optional

<b>07110</b> Eco performance	<b>08371</b> Long Combination Vehicle (LCV)
<b>02313</b> Gearbox direct drive	<b>09638</b> Off-road applications
<b>01514</b> Urge-to-move	<b>01498</b> Off-road applications with Rock-free function
<b>07101</b> Standard transport, Lite version	<b>02843</b> Mechanical differential lock
<b>09637</b> Liquid transport	

## BRAKE SYSTEM

Exhaust brake; Ventilated disc brakes front and rear. Dual circuit air system with electronic control (EBS).Engine driven, water cooled air compressor with automatic air heated dryer.

### Optional

<b>09921</b> MX Engine Brake	<b>01497</b> Park brake control pneumatic with spoken warning
<b>02715</b> ZF Intarder	<b>04901</b> Spring brake cylinders on the first front axle
<b>01572</b> Park brake control electro-pneumatic	<b>00929</b> Driven rear axle with drum brakes

### CHASSIS

Wheelbase 3.80 m / rear overhang 2.05 m; Side member height 260 mm; Standard component location; 340 l alu fuel tank LH, height 620 mm; Tank for AdBlue® 45 l, left-hand side chassis; Front underrun protection (FUP); Spray suppression.

### Optional

<b>02601</b> Side member height 310 mm	<b>07071</b> Spare wheel carrier right-hand side
<b>08641</b> Air tanks aluminium	<b>03323</b> Rear light with LEDs
<b>16157</b> Fuel tanks, material and sizes	

### DRAWBAR AND TRAILER EQUIPMENT

Closing member D-value = 0kN.

### Optional

<b>07033</b> Trailer coupling Ringfeder D=13.7	<b>08027</b> Trailer coupling Rockinger D=20.0
<b>07034</b> Trailer coupling Ringfeder D=20.0	<b>04659</b> Trailer cable EBS
<b>08026</b> Trailer coupling Rockinger D=13.0	

### BODIES AND PREPARATIONS FOR BODYING

Application connector chassis.

### Optional

<b>09421</b> Additional spare wiring	<b>09208</b> Chassis preparation for BDF Multi system
<b>09201</b> Chassis preparation for BDF	<b>08121</b> Tail lift application

### POWER TAKE-OFF (PTO)

### Optional

<b>16148</b> PTO types and positions
--------------------------------------

### 24V POWER SUPPLY

Alternator 130 A, batteries 2x 140 Ah..

### Optional

<b>08775</b> Alternator 150 A	<b>07671</b> Batteries 2x210Ah AGM C-type
<b>08797</b> Batteries 2x175Ah	<b>06440</b> Batteries 2x230Ah

### GVM AND GCM

Chassis weight related technical GVM max 27000 kg; Driveline related max GCM 38000 kg class 2.

### Optional

<b>00209</b> Driveline related max GCM 40000 kg class 3	<b>00939</b> Driveline related max GCM 56000 kg class 2
<b>03673</b> Driveline related max GCM 44000 kg class 2	<b>00818</b> Driveline related max GCM 60000 kg class 3
<b>03675</b> Driveline related max GCM 50000 kg class 3	

### APPLICATION CONDITIONS

Air intake front.

### Optional

<b>08400</b> Silent mode	<b>03648</b> Cyclonic air intake high
<b>02260</b> Extra cab insulation	<b>06614</b> Anti-dust blow-up shield

### SERVICE AND MAINTENANCE

Standard Warranty takes care of 1 year complete vehicle as supplied by the OEM (excl. real wear parts), 2nd year driveline and 1st year breakdown.; ITS service.

### Optional

<b>08311</b> Service interval extended
--

### VEHICLE DELIVERY

Minimum toolkit.

### Optional

<b>07569</b> Lifting jack
---------------------------

### OPTION PACKAGES

### Optional

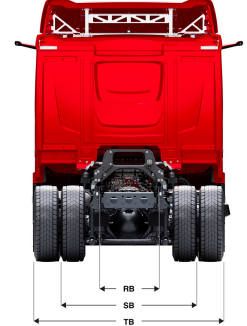
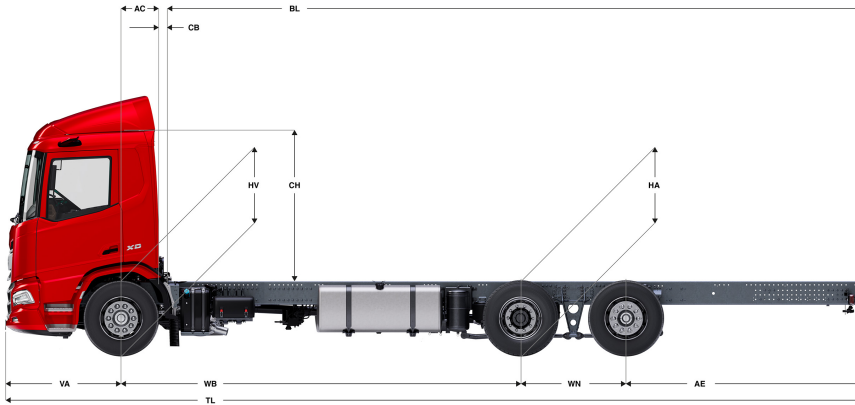
<b>17448</b> Safety pack	<b>17595</b> Executive Pack XD/XF
--------------------------	-----------------------------------



Go to [DAF.com](https://www.daf.com) to configure your own perfect DAF.

# XD 300

## FAN 6X2 Rigid



	Wheelbase - AE		Unladen weight <sup>9)</sup>			Gross Carrying Capacity			Variable dimensions									
	WB	AE <sup>5)</sup>	Front	Rear	Total	Front	Rear	Total	AC	CB <sup>6)</sup>	CH	BL <sup>7)</sup>	BL	TL	HA <sup>8)</sup>	HA <sup>9)</sup>	TK <sup>10)</sup>	TW <sup>11)</sup>
DAY CAB	3,80	2,05	4744	2988	7732	3256	16012	18268	0,50	0,07	2,06	6,07	6,07	8,78	0,97	0,94	13,50	14,88
	4,00	2,40	4787	3174	7961	3213	15826	18039	0,50	0,25	2,01	6,04	6,04	9,33	1,02	0,99	14,01	15,41
	4,20	2,40	4738	3083	7820	3262	15917	18180	0,50	0,07	2,06	6,72	6,72	9,53	0,97	0,94	14,53	15,94
	4,40	2,55	4731	3120	7851	3269	15880	18149	0,50	0,07	2,06	7,04	7,04	9,88	0,97	0,94	15,05	16,46
	4,60	2,55	4788	3237	8026	3212	15763	17975	0,50	0,07	2,06	7,38	7,38	10,08	0,97	0,94	15,57	16,99
	4,80	2,70	4768	3266	8034	3232	15734	17966	0,50	0,07	2,06	7,70	7,70	10,43	0,97	0,94	16,09	17,52
	5,05	2,90	4759	3312	8071	3241	15688	17929	0,50	0,07	2,06	8,10	8,10	10,88	0,97	0,94	16,74	18,18
	5,30	3,15	4735	3329	8064	3265	15671	17936	0,50	0,07	2,06	8,51	8,51	11,38	0,97	0,94	17,40	18,84
5,60	3,15	4795	3474	8269	3205	15526	17731	0,50	0,07	2,01	9,01	9,01	11,68	1,02	0,99	18,18	19,64	
6,10	2,90	4826	3470	8297	3174	15530	17703	0,50	0,07	2,01	9,86	9,86	11,93	1,02	0,99	19,49	20,96	
SLEEPER CAB	3,80	2,05	4744	2988	7732	3256	16012	18268	0,50	0,07	2,06	6,07	6,07	8,78	0,97	0,94	13,50	14,88
	4,00	2,40	4787	3174	7961	3213	15826	18039	0,50	0,25	2,01	6,04	6,04	9,33	1,02	0,99	14,01	15,41
	4,20	2,40	4841	3086	7927	3159	15914	18073	0,83	0,07	2,06	6,10	6,10	9,53	0,97	0,94	14,53	15,94
	4,40	2,55	4834	3123	7958	3166	15877	18042	0,83	0,07	2,06	6,43	6,43	9,88	0,97	0,94	15,05	16,46
	4,60	2,55	4892	3240	8132	3108	15760	17868	0,83	0,07	2,06	6,77	6,77	10,08	0,97	0,94	15,57	16,99
	4,80	2,70	4872	3269	8140	3128	15731	17860	0,83	0,07	2,06	7,10	7,10	10,43	0,97	0,94	16,09	17,52
	5,05	2,90	4862	3315	8178	3138	15685	17822	0,83	0,07	2,06	7,49	7,49	10,88	0,97	0,94	16,74	18,18
	5,30	3,15	4839	3331	8170	3161	15669	17830	0,83	0,07	2,06	7,90	7,90	11,38	0,97	0,94	17,40	18,84
5,60	3,15	4898	3477	8375	3102	15523	17625	0,83	0,07	2,01	8,43	8,43	11,68	1,02	0,99	18,18	19,64	
6,10	2,90	4930	3473	8403	3070	15527	17597	0,83	0,07	2,01	9,26	9,26	11,93	1,02	0,99	19,49	20,96	
SLEEPER HIGH CAB	3,80	2,05	4744	2988	7732	3256	16012	18268	0,50	0,07	2,06	6,07	6,07	8,78	0,97	0,94	13,50	14,88
	4,00	2,40	4787	3174	7961	3213	15826	18039	0,50	0,25	2,01	6,04	6,04	9,33	1,02	0,99	14,01	15,41
	4,20	2,40	4871	3085	7956	3129	15915	18044	0,83	0,07	2,54	6,11	6,11	9,53	0,97	0,94	14,53	15,94
	4,40	2,55	4864	3123	7987	3136	15877	18013	0,83	0,07	2,54	6,44	6,44	9,88	0,97	0,94	15,05	16,46
	4,60	2,55	4922	3240	8161	3078	15760	17839	0,83	0,07	2,54	6,78	6,78	10,08	0,97	0,94	15,57	16,99
	4,80	2,70	4902	3268	8170	3098	15732	17830	0,83	0,07	2,54	7,11	7,11	10,43	0,97	0,94	16,09	17,52
	5,05	2,90	4893	3315	8207	3107	15685	17793	0,83	0,07	2,54	7,51	7,51	10,88	0,97	0,94	16,74	18,18
	5,30	3,15	4869	3331	8200	3131	15669	17800	0,83	0,07	2,54	7,92	7,92	11,38	0,97	0,94	17,40	18,84
5,60	3,15	4928	3476	8405	3072	15524	17595	0,83	0,07	2,49	8,43	8,43	11,68	1,02	0,99	18,18	19,64	
6,10	2,90	4960	3472	8433	3040	15528	17567	0,83	0,07	2,49	9,28	9,28	11,93	1,02	0,99	19,49	20,96	

OTHER DIMENSIONS VA: 1,53 WN: 1,40 HV<sup>12)</sup>: 0,98 HV<sup>13)</sup>: 0,93 RB: 0,79 SB: 1,82 TB<sup>14)</sup>: 2,48

- GVM in conformity with registration documents.
- GCM in conformity with registration documents.
- Axle load with standard tyre size.
- Chassis and cab weight calculated with: Standard specification items only with 340 litres of fuel, 45 litres of AdBlue® and driver of 90 kg, tolerance ± 3%. Changing of the specification can have major impact on vehicle weight.
- Other AE dimensions may be available for shown WB. Modify rear overhang to the calculated body length.
- CB is based on standard air intake and/or exhaust.
- Calculate customer specific body length with TOPEC. Body lengths shown based on evenly distributed load at max axle load.

- Unladen height at centre of driven axle (trailing axle down).
- Laden height at centre of driven axle(s).
- TK = turning circle between kerbs.
- TW = turning circle between walls.
- Unladen height at centre of front axle(s).
- Laden height at centre of front axle(s).
- TB is overall width at rear. (At centre of front axle 255).

Depending on the vehicle configuration a specific option may not be possible. The availability and specification of this vehicle may differ per country. For further information please contact the DAF organisation. Pictures and technical illustrations are not binding in detail and can differ from the standard specification. Subject to modification without prior notice.