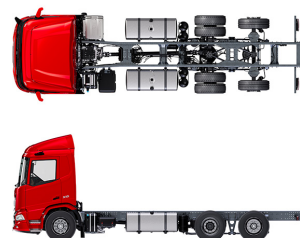


Specification sheet

XD 300

FAR 6X2 Rigid, single mounted trailing axle



ENGINES

- XD NewGen 300 MX-11 (220 kW / 299 hp)
- XD NewGen 340 MX-11 (251 kW / 341 hp)
- XD NewGen 370 MX-11 (270 kW / 367 hp)
- XD NewGen 410 MX-11 (300 kW / 408 hp)
- XD NewGen 450 MX-11 (330 kW / 449 hp)

GVM¹⁾

- 26000 kg
- Max. front 8000 kg
- Max. rear 19000 kg

GCM²⁾

- 38000 kg

016F0121CAAA - 202501H - 18-09-2024

DAF Trucks Ltd, UK, Haddenham, HP17 8LJ, www.daf.co.uk

CAB EXTERIOR

Luxurious Day Cab with unrivalled aerodynamics for fuel efficient driving and low CO2 emissions. The huge and deep frontscreen, curved at the sides combined with large side windows offer an unsurpassed direct view for the driver, to enhance road safety. Cab length: 2030 mm; cab width: 2500 mm. Number of cab entrance steps: 2.; Cab suspension mechanical; LED head lights; DAF Corner View.

Optional

07018 Sleeper Cab	01836 LED Skylights
06244 Sleeper High Cab	00949 LED Skylights; aux. LED lights on cab rf, prepared
02889 Chassis front execution: no bottom plate	01925 Two LED work lamps for cab rear wall
02952 Chassis front execution: bottom plate aero	01891 Hazard beacons on cab front, prepared
03353 Chassis front execution: protruding	06629 Two hazard beacon lights
07586 Chassis front execution: robust	03232 Front windscreen with solar control foil
01226 Cab suspension air	03317 Rear window: double glass
03358 External sun visor	07343 Kerb view window co-driver door
03922 Fog lights front	01362 DAF Digital Vision System
00936 Auxiliary LED lights on cab roof, prepared	

AERODYNAMICS

Optional

00008 Adj. roof air deflector short Sleeper High Cab	00082 Adj. roof air deflector for Day Cab
00124 Adj. rf air defl.long mid >4m(!) Sleeper High Cab	00097 Adj. roof air deflector for Sleeper Cab
01538 Adj. roof air defl. long high >4m(!) Sleeper High	00020 Adj. roof air deflector long low Sleeper High Cab
02662 Adj. roof air defl. long mid XD Sleeper High Cab	

COLOURS

Cab colour E1980 Crystal White; Chassis colour grey.; Colour of bumper: Crystal White.

CAB INTERIOR

Cab interior trim colour: Luxury; Dashboard finish: Vision; Cab interior decoration: Hexagon; Driver seat: Comfort Air; Co-driver seat: cinema with fabric cover; No dashboard table; Storage compartment in centre; Automatic Temperature Control and aircoc; No auxiliary cab heater.

Optional

02354 Steering wheel with silver accents	02117 Third seat
02355 Steering wheel, leather	02837 Dashboard table
02353 Cab interior decoration: Argenta	03948 Single drawer
02350 Cab interior decoration: Natura	03954 Refrigerator
07733 Driver seat: Luxury Air	02838 Foam mattress for lower bunk
07736 Driver seat: Super Air	02854 Xtra Comfort mattress for lower bunk
07737 Driver seat: Xtra Leather Air	01775 Xtra Comfort mattress with topper for lower bunk
09541 Arm rest driver seat	06970 Automatic Cab Climate Control
01740 Arm rest at both sides of the driver seat	

COMMUNICATION AND DRIVING MANAGEMENT

PACCAR Connect; Tachograph digital, Stoneridge 1C version G2V2; Speed limiter setting 85/90 km/h; DAF Infotainment Luxury with Luxury speakers; Adaptive Cruise Control with FCW and AEBS-3; Driver Performance Assistant.

Optional

09681 Preparation for Maut	03470 DAF Infotainment System: Exclusive, prepared
06211 DAF Infotainment System with FM/DAB/DAB+ radio	01915 DAF Infotainment System: Luxury Plus

SAFETY AND SECURITY

Lane Departure Warning System; Vehicle Stability Control (VSC); Basic engine immobiliser system; No EC-ADR packages; DAF Side & Turn Assist.

Optional

08631 Air bag (driver) and 2 seat belt tensioners	00795 Safety regulations EC ADR
06410 Safe Load Pass preparation	

SUSPENSION AND AXLES

Front: 8.00 t, parabolic, 163N; Rear axle load 12.00 t; Rear: 19.50 t, air suspension, SR1344; Trailing axle load 7.5t; Lifting device.

Optional

06257 Front axle load 9.00 t	04588 Rear axle SR1347
06095 Front axle load 10.00 t	03040 Rear axle load 11.50 t
04647 Front springs air	08191 Axle load monitoring
04057 Rear axle HR1356	

WHEELS AND TYRES

Driven rear axle(s): 315/70R22.5; F1,315/70R22.5GO FMXSE 156/150 L Steering BBA 3P; R1,315/70R22.5GO FMXDE 154/150 L Traction BBA 3P; R2,315/70R22.5GO FMXSE 156/150 L Steering BBA 3P.

Optional

16152 Tyre makes and types

DRIVELINE

Engine MX-11, multi torque 6 cylinder diesel engine, 10.8 litres. Output 220 kW (299 hp) at 1600 rpm. Max. torque 1450 Nm at 900-1400 rpm.; Exhaust emission Euro 6; Eco fuel; 12-speed TraXon 12TX1810 OD, 12.92-0.77; Gearbox ratio 12.92-0.77; Rear axle ratio 3.08.

Optional

07110 Eco performance	08371 Long Combination Vehicle (LCV)
02313 Gearbox direct drive	09638 Off-road applications
01514 Urge-to-move	01498 Off-road applications with Rock-free function
07101 Standard transport, Lite version	02843 Mechanical differential lock
09637 Liquid transport	

BRAKE SYSTEM

Exhaust brake; Ventilated disc brakes front and rear. Dual circuit air system with electronic control (EBS).Engine driven, water cooled air compressor with automatic air heated dryer..

Optional

09921	MX Engine Brake	01497	Park brake control pneumatic with spoken warning
02715	ZF Intarder	04901	Spring brake cylinders on the first front axle
01572	Park brake control electro-pneumatic	00929	Driven rear axle with drum brakes

CHASSIS

Wheelbase 3.80 m / rear overhang 2.05 m; Side member height 260 mm; Standard component location; 340 l alu fuel tank LH, height 620 mm; Tank for AdBlue® 45 l, left-hand side chassis; Front underrun protection (FUP); Spray suppression.

Optional

02601	Side member height 310 mm	07071	Spare wheel carrier right-hand side
08641	Air tanks aluminium	03323	Rear light with LEDs
16157	Fuel tanks, material and sizes		

DRAWBAR AND TRAILER EQUIPMENT

Closing member D-value = 0kN.

Optional

07033	Trailer coupling Ringfeder D=13.7	08027	Trailer coupling Rockinger D=20.0
07034	Trailer coupling Ringfeder D=20.0	04659	Trailer cable EBS
08026	Trailer coupling Rockinger D=13.0		

BODIES AND PREPARATIONS FOR BODYING

Application connector chassis.

Optional

09421	Additional spare wiring	09208	Chassis preparation for BDF Multi system
09201	Chassis preparation for BDF	08121	Tail lift application

POWER TAKE-OFF (PTO)

Optional

16148	PTO types and positions
-------	-------------------------

24V POWER SUPPLY

Alternator 110 A, batteries 2x 140 Ah..

Optional

04492	Alternator 130 A	07671	Batteries 2x210Ah AGM C-type
08775	Alternator 150 A	06440	Batteries 2x230Ah
08797	Batteries 2x175Ah		

GVM AND GCM

Chassis weight related technical GVM max 27000 kg; Driveline related max GCM 38000 kg class 2.

Optional

00209	Driveline related max GCM 40000 kg class 3	00939	Driveline related max GCM 56000 kg class 2
03673	Driveline related max GCM 44000 kg class 2	00818	Driveline related max GCM 60000 kg class 3
03675	Driveline related max GCM 50000 kg class 3		

APPLICATION CONDITIONS

Air intake front.

Optional

02260	Extra cab insulation	06614	Anti-dust blow-up shield
03648	Cyclonic air intake high		

SERVICE AND MAINTENANCE

Standard Warranty takes care of 1 year complete vehicle as supplied by the OEM (excl. real wear parts), 2nd year driveline and 1st year breakdown.; ITS service.

Optional

08311	Service interval extended
-------	---------------------------

VEHICLE DELIVERY

Minimum toolkit.

Optional

07569	Lifting jack
-------	--------------

OPTION PACKAGES

Optional

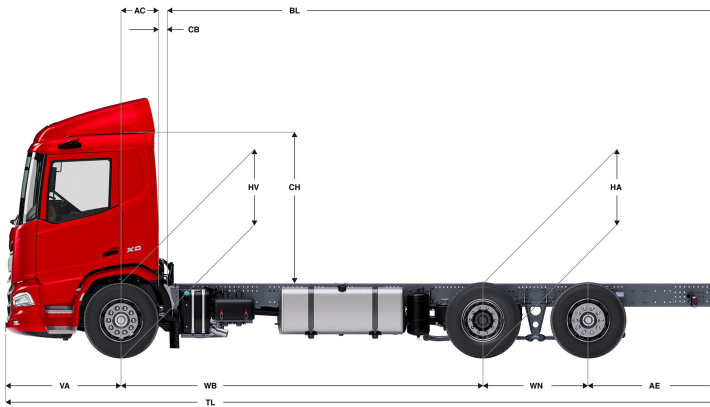
17448	Safety pack	17595	Executive Pack XD/XF
-------	-------------	-------	----------------------



Go to [DAF.com](https://www.daf.com) to configure your own perfect DAF.

XD 300

FAR 6X2 Rigid, single mounted trailing axle



	Wheelbase - AE		Unladen weight ⁹⁾			Gross Carrying Capacity			Variable dimensions									
	WB	AE ⁵⁾	Front	Rear	Total	Front	Rear	Total	AC	CB ⁶⁾	CH	BL ⁷⁾	BL	TL	HA ⁸⁾	HA ⁹⁾	TK ¹⁰⁾	TW ¹¹⁾
DAY CAB	3,80	2,05	4768	2974	7742	3232	16026	18258	0,50	0,07	2,06	6,07	6,07	8,78	0,97	0,94	14,93	16,34
	4,20	2,40	4751	3053	7804	3249	15947	18196	0,50	0,07	2,06	6,72	6,72	9,53	0,97	0,94	15,97	17,40
	4,40	2,55	4752	3109	7861	3248	15891	18139	0,50	0,07	2,06	7,06	7,06	9,88	0,97	0,94	16,49	17,92
	4,60	2,55	4809	3226	8036	3191	15774	17964	0,50	0,07	2,06	7,40	7,40	10,08	0,97	0,94	17,01	18,45
	4,80	2,70	4789	3256	8044	3211	15744	17956	0,50	0,07	2,06	7,72	7,72	10,43	0,97	0,94	17,53	18,98
	5,05	2,90	4777	3300	8077	3223	15700	17923	0,50	0,07	2,06	8,12	8,12	10,88	0,97	0,94	18,19	19,64
	5,30	2,90	4784	3318	8102	3216	15682	17898	0,50	0,07	2,06	8,53	8,53	11,13	0,97	0,94	18,84	20,30
5,60	2,85	4830	3411	8241	3170	15589	17759	0,50	0,07	2,01	9,05	9,05	11,38	1,02	0,99	19,63	21,10	
5,90	2,80	4842	3424	8266	3158	15576	17734	0,50	0,07	2,01	9,54	9,54	11,63	1,02	0,99	20,41	21,89	
6,10	2,80	4848	3437	8285	3152	15563	17715	0,50	0,07	2,01	9,88	9,88	11,83	1,02	0,99	20,94	22,42	
SLEEPER CAB	3,80	2,05	4768	2974	7742	3232	16026	18258	0,50	0,07	2,06	6,07	6,07	8,78	0,97	0,94	14,93	16,34
	4,20	2,40	4853	3055	7909	3147	15945	18091	0,83	0,07	2,06	6,11	6,11	9,53	0,97	0,94	15,97	17,40
	4,40	2,55	4854	3112	7966	3146	15888	18034	0,83	0,07	2,06	6,44	6,44	9,88	0,97	0,94	16,49	17,92
	4,60	2,55	4912	3229	8141	3088	15771	17859	0,83	0,07	2,06	6,78	6,78	10,08	0,97	0,94	17,01	18,45
	4,80	2,70	4891	3258	8149	3109	15742	17851	0,83	0,07	2,06	7,11	7,11	10,43	0,97	0,94	17,53	18,98
	5,05	2,90	4880	3302	8182	3120	15698	17818	0,83	0,07	2,06	7,51	7,51	10,88	0,97	0,94	18,19	19,64
	5,30	2,90	4886	3320	8207	3114	15680	17793	0,83	0,07	2,06	7,92	7,92	11,13	0,97	0,94	18,84	20,30
5,60	2,85	4933	3413	8346	3067	15587	17654	0,83	0,07	2,01	8,44	8,44	11,38	1,02	0,99	19,63	21,10	
5,90	2,80	4945	3425	8371	3055	15575	17629	0,83	0,07	2,01	8,95	8,95	11,63	1,02	0,99	20,41	21,89	
6,10	2,80	4951	3438	8390	3049	15562	17610	0,83	0,07	2,01	9,28	9,28	11,83	1,02	0,99	20,94	22,42	
SLEEPER HIGH CAB	3,80	2,05	4768	2974	7742	3232	16026	18258	0,50	0,07	2,06	6,07	6,07	8,78	0,97	0,94	14,93	16,34
	4,20	2,40	4884	3055	7939	3116	15945	18061	0,83	0,07	2,54	6,13	6,13	9,53	0,97	0,94	15,97	17,40
	4,40	2,55	4885	3111	7996	3115	15889	18004	0,83	0,07	2,54	6,46	6,46	9,88	0,97	0,94	16,49	17,92
	4,60	2,55	4942	3228	8170	3058	15772	17830	0,83	0,07	2,54	6,80	6,80	10,08	0,97	0,94	17,01	18,45
	4,80	2,70	4921	3257	8179	3079	15743	17821	0,83	0,07	2,54	7,13	7,13	10,43	0,97	0,94	17,53	18,98
	5,05	2,90	4910	3302	8212	3090	15698	17788	0,83	0,07	2,54	7,53	7,53	10,88	0,97	0,94	18,19	19,64
	5,30	2,90	4917	3320	8236	3083	15680	17764	0,83	0,07	2,54	7,94	7,94	11,13	0,97	0,94	18,84	20,30
5,60	2,85	4963	3412	8375	3037	15588	17625	0,83	0,07	2,49	8,46	8,46	11,38	1,02	0,99	19,63	21,10	
5,90	2,80	4975	3425	8400	3025	15575	17600	0,83	0,07	2,49	8,97	8,97	11,63	1,02	0,99	20,41	21,89	
6,10	2,80	4981	3438	8419	3019	15562	17581	0,83	0,07	2,49	9,30	9,30	11,83	1,02	0,99	20,94	22,42	

OTHER DIMENSIONS VA: 1,53 WN: 1,40 HV¹²⁾: 0,98 HV¹³⁾: 0,93 RB: 0,79 SB: 1,82 TB¹⁴⁾: 2,48

1) GVM in conformity with registration documents.
 2) GCM in conformity with registration documents.
 3) Axle load with standard tyre size.
 4) Chassis and cab weight calculated with: Standard specification items only with 340 litres of fuel, 45 litres of AdBlue® and driver of 90 kg, tolerance ± 3%. Changing of the specification can have major impact on vehicle weight.
 5) Other AE dimensions may be available for shown WB. Modify rear overhang to the calculated body length.
 6) CB is based on standard air intake and/or exhaust.
 7) Calculate customer specific body length with TOPEC. Body lengths shown based on evenly distributed load at max axle load.
 8) Unladen height at centre of driven axle (trailing axle down).
 9) Laden height at centre of driven axle(s).
 10) TK = turning circle between kerbs.
 11) TW = turning circle between walls.
 12) Unladen height at centre of front axle(s).
 13) Laden height at centre of front axle(s).
 14) TB is overall width at rear. (At centre of front axle 255).

Depending on the vehicle configuration a specific option may not be possible. The availability and specification of this vehicle may differ per country. For further information please contact the DAF organisation. Pictures and technical illustrations are not binding in detail and can differ from the standard specification. Subject to modification without prior notice.

016F0121CAAA - 202501H - 18-09-2024