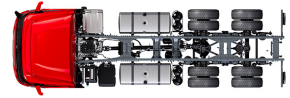


# Specification sheet

## XD 300

FAS 6X2 Rigid, double mounted trailing axle



### ENGINES

- XD NewGen 300 MX-11 (220 kW / 299 hp)
- XD NewGen 340 MX-11 (251 kW / 341 hp)
- XD NewGen 370 MX-11 (270 kW / 367 hp)
- XD NewGen 410 MX-11 (300 kW / 408 hp)
- XD NewGen 450 MX-11 (330 kW / 449 hp)

### GVM<sup>1)</sup>

26000 kg

Max. front 8000 kg

Max. rear 19000 kg

### GCM<sup>2)</sup>

38000 kg

## CAB EXTERIOR

Luxurious Day Cab with unrivalled aerodynamics for fuel efficient driving and low CO2 emissions. The huge and deep frontscreen, curved at the sides combined with large side windows offer an unsurpassed direct view for the driver, to enhance road safety. Cab length: 2030 mm; cab width: 2500 mm. Number of cab entrance steps: 2.; Cab suspension mechanical; LED head lights; DAF Corner View.

### Optional

<b>07018</b> Sleeper Cab	<b>01836</b> LED Skylights
<b>06244</b> Sleeper High Cab	<b>00949</b> LED Skylights; aux. LED lights on cab rf, prepared
<b>02889</b> Chassis front execution: no bottom plate	<b>01925</b> Two LED work lamps for cab rear wall
<b>02952</b> Chassis front execution: bottom plate aero	<b>01891</b> Hazard beacons on cab front, prepared
<b>03353</b> Chassis front execution: protruding	<b>06629</b> Two hazard beacon lights
<b>07586</b> Chassis front execution: robust	<b>03232</b> Front windscreen with solar control foil
<b>01226</b> Cab suspension air	<b>03317</b> Rear window: double glass
<b>03358</b> External sun visor	<b>07343</b> Kerb view window co-driver door
<b>03922</b> Fog lights front	<b>01362</b> DAF Digital Vision System
<b>00936</b> Auxiliary LED lights on cab roof, prepared	

## AERODYNAMICS

### Optional

<b>00008</b> Adj. roof air deflector short Sleeper High Cab	<b>00082</b> Adj. roof air deflector for Day Cab
<b>00124</b> Adj. rf air defl.long mid >4m(!) Sleeper High Cab	<b>00097</b> Adj. roof air deflector for Sleeper Cab
<b>01538</b> Adj. roof air defl. long high >4m(!) Sleeper High	<b>00020</b> Adj. roof air deflector long low Sleeper High Cab
<b>02662</b> Adj. roof air defl. long mid XD Sleeper High Cab	

## COLOURS

Cab colour E1980 Crystal White; Chassis colour grey.; Colour of bumper: Crystal White.

## CAB INTERIOR

Cab interior trim colour: Luxury; Dashboard finish: Vision; Cab interior decoration: Hexagon; Driver seat: Comfort Air; Co-driver seat: cinema with fabric cover; No dashboard table; Storage compartment in centre; Automatic Temperature Control and airco; No auxiliary cab heater.

### Optional

<b>02354</b> Steering wheel with silver accents	<b>02117</b> Third seat
<b>02355</b> Steering wheel, leather	<b>02837</b> Dashboard table
<b>02353</b> Cab interior decoration: Argenta	<b>03948</b> Single drawer
<b>02350</b> Cab interior decoration: Natura	<b>03954</b> Refrigerator
<b>07733</b> Driver seat: Luxury Air	<b>02838</b> Foam mattress for lower bunk
<b>07736</b> Driver seat: Super Air	<b>02854</b> Xtra Comfort mattress for lower bunk
<b>07737</b> Driver seat: Xtra Leather Air	<b>01775</b> Xtra Comfort mattress with topper for lower bunk
<b>09541</b> Arm rest driver seat	<b>06970</b> Automatic Cab Climate Control
<b>01740</b> Arm rest at both sides of the driver seat	

## COMMUNICATION AND DRIVING MANAGEMENT

PACCAR Connect; Tachograph digital, Stoneridge 1C version G2V2; Speed limiter setting 85/90 km/h; DAF Infotainment Luxury with Luxury speakers; Adaptive Cruise Control with FCW and AEBS-3; Driver Performance Assistant.

### Optional

<b>09681</b> Preparation for Maut	<b>03470</b> DAF Infotainment System: Exclusive, prepared
<b>06211</b> DAF Infotainment System with FM/DAB/DAB+ radio	<b>01915</b> DAF Infotainment System: Luxury Plus

## SAFETY AND SECURITY

Lane Departure Warning System; Vehicle Stability Control (VSC); Basic engine immobiliser system; No EC-ADR packages; DAF Side & Turn Assist.

### Optional

<b>08631</b> Air bag (driver) and 2 seat belt tensioners	<b>00795</b> Safety regulations EC ADR
<b>06410</b> Safe Load Pass preparation	

## SUSPENSION AND AXLES

Front: 8.00 t, parabolic, 163N; Rear axle load 13.00 t; Rear: 20.00 t, air suspension, SR1344; Trailing axle load 10.0t; Lifting device.

### Optional

<b>06257</b> Front axle load 9.00 t	<b>04057</b> Rear axle HR1356
<b>06095</b> Front axle load 10.00 t	<b>04588</b> Rear axle SR1347
<b>04647</b> Front springs air	<b>08191</b> Axle load monitoring

## WHEELS AND TYRES

Driven rear axle(s): 315/70R22.5; F1,315/70R22.5GO FMXSE 156/150 L Steering BBA 3P; R1,315/70R22.5GO FMXDE 154/150 L Traction BBA 3P; R2,315/70R22.5GO FMXSE 156/150 L Steering BBA 3P.

### Optional

<b>16152</b> Tyre makes and types
-----------------------------------

## DRIVELINE

Engine MX-11, multi torque 6 cylinder diesel engine, 10.8 litres. Output 220 kW (299 hp) at 1600 rpm. Max. torque 1450 Nm at 900-1400 rpm.; Exhaust emission Euro 6; Eco fuel; 12-speed TraXon 12TX1810 OD, 12.92-0.77; Gearbox ratio 12.92-0.77; Rear axle ratio 3.08.

### Optional

<b>07110</b> Eco performance	<b>08371</b> Long Combination Vehicle (LCV)
<b>02313</b> Gearbox direct drive	<b>09638</b> Off-road applications
<b>01514</b> Urge-to-move	<b>01498</b> Off-road applications with Rock-free function
<b>07101</b> Standard transport, Lite version	<b>02843</b> Mechanical differential lock
<b>09637</b> Liquid transport	

## BRAKE SYSTEM

Exhaust brake; Ventilated disc brakes front and rear. Dual circuit air system with electronic control (EBS).Engine driven, water cooled air compressor with automatic air heated dryer.

**Optional**

<b>09921</b> MX Engine Brake	<b>01497</b> Park brake control pneumatic with spoken warning
<b>02715</b> ZF Intarder	<b>04901</b> Spring brake cylinders on the first front axle
<b>01572</b> Park brake control electro-pneumatic	<b>00929</b> Driven rear axle with drum brakes

**CHASSIS**

Wheelbase 4.60 m / rear overhang 2.75 m; Side member height 260 mm; Standard component location; 340 l alu fuel tank LH, height 620 mm; Tank for AdBlue® 45 l, left-hand side chassis; Front underrun protection (FUP); Spray suppression.

**Optional**

<b>02601</b> Side member height 310 mm	<b>07071</b> Spare wheel carrier right-hand side
<b>16157</b> Fuel tanks, material and sizes	<b>03323</b> Rear light with LEDs

**DRAWBAR AND TRAILER EQUIPMENT**

Closing member D-value = 0kN.

**Optional**

<b>07033</b> Trailer coupling Ringfeder D=13.7	<b>08027</b> Trailer coupling Rockinger D=20.0
<b>07034</b> Trailer coupling Ringfeder D=20.0	<b>04659</b> Trailer cable EBS
<b>08026</b> Trailer coupling Rockinger D=13.0	

**BODIES AND PREPARATIONS FOR BODYING**

Application connector chassis.

**Optional**

<b>09421</b> Additional spare wiring	<b>08121</b> Tail lift application
--------------------------------------	------------------------------------

**POWER TAKE-OFF (PTO)****Optional**

<b>16148</b> PTO types and positions
--------------------------------------

**24V POWER SUPPLY**

Alternator 110 A, batteries 2x 140 Ah..

**Optional**

<b>04492</b> Alternator 130 A	<b>07671</b> Batteries 2x210Ah AGM C-type
<b>08775</b> Alternator 150 A	<b>06440</b> Batteries 2x230Ah
<b>08797</b> Batteries 2x175Ah	

**GVM AND GCM**

Chassis weight related technical GVM max 27000 kg; Driveline related max GCM 38000 kg class 2.

**Optional**

<b>00209</b> Driveline related max GCM 40000 kg class 3	<b>00939</b> Driveline related max GCM 56000 kg class 2
<b>03673</b> Driveline related max GCM 44000 kg class 2	<b>00818</b> Driveline related max GCM 60000 kg class 3
<b>03675</b> Driveline related max GCM 50000 kg class 3	

**APPLICATION CONDITIONS**

Air intake front.

**Optional**

<b>02260</b> Extra cab insulation	<b>06614</b> Anti-dust blow-up shield
<b>03648</b> Cyclonic air intake high	

**SERVICE AND MAINTENANCE**

Standard Warranty takes care of 1 year complete vehicle as supplied by the OEM (excl. real wear parts), 2nd year driveline and 1st year breakdown.; ITS service.

**Optional**

<b>08311</b> Service interval extended
--

**VEHICLE DELIVERY**

Minimum toolkit.

**Optional**

<b>07569</b> Lifting jack
---------------------------

**OPTION PACKAGES****Optional**

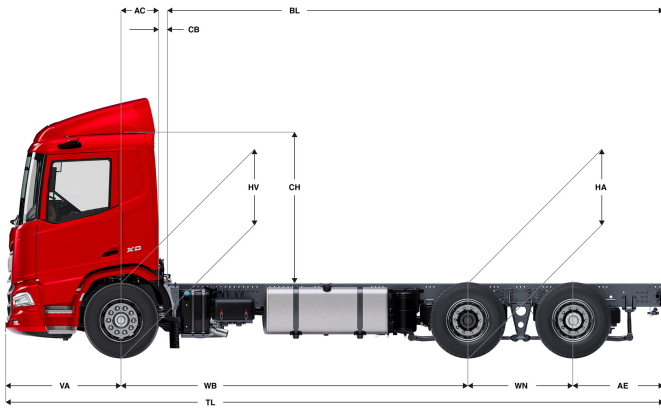
<b>17448</b> Safety pack	<b>17595</b> Executive Pack XD/XF
--------------------------	-----------------------------------



Go to [DAF.com](https://www.daf.com) to configure your own perfect DAF.

# XD 300

## FAS 6X2 Rigid, double mounted trailing axle



	Wheelbase - AE		Unladen weight <sup>9)</sup>			Gross Carrying Capacity			Variable dimensions									
	WB	AE <sup>5)</sup>	Front	Rear	Total	Front	Rear	Total	AC	CB <sup>6)</sup>	CH	BL <sup>7)</sup>	BL	TL	HA <sup>8)</sup>	HA <sup>9)</sup>	TK <sup>10)</sup>	TW <sup>11)</sup>
DAY CAB	3,80	2,05	4896	3082	7978	3104	15918	18022	0,50	0,07	2,01	6,13	6,13	8,78	1,02	0,99	14,93	16,34
	4,20	2,40	4888	3180	8068	3112	15820	17932	0,50	0,07	2,01	6,77	6,77	9,53	1,02	0,99	15,97	17,40
	4,40	2,55	4893	3245	8138	3107	15755	17862	0,50	0,07	2,01	7,10	7,10	9,88	1,02	0,99	16,49	17,92
	4,60	2,75	4871	3240	8111	3129	15760	17889	0,50	0,07	2,06	7,42	7,42	10,28	0,97	0,94	17,01	18,45
	4,80	2,90	4851	3268	8119	3149	15732	17881	0,50	0,07	2,06	7,75	7,75	10,63	0,97	0,94	17,53	18,98
	5,05	2,90	4855	3283	8138	3145	15717	17862	0,50	0,07	2,06	8,16	8,16	10,88	0,97	0,94	18,19	19,64
	5,30	2,90	4863	3300	8163	3137	15700	17837	0,50	0,07	2,06	8,59	8,59	11,13	0,97	0,94	18,84	20,30
5,60	2,85	4910	3392	8302	3090	15608	17698	0,50	0,07	2,01	9,08	9,08	11,38	1,02	0,99	19,63	21,10	
5,90	2,80	4923	3404	8327	3077	15596	17673	0,50	0,07	2,01	9,60	9,60	11,63	1,02	1,00	20,41	21,89	
SLEEPER CAB	WB	AE <sup>5)</sup>	Front	Rear	Total	Front	Rear	Total	AC	CB <sup>6)</sup>	CH	BL <sup>7)</sup>	BL	TL	HA <sup>8)</sup>	HA <sup>9)</sup>	TK <sup>10)</sup>	TW <sup>11)</sup>
	4,20	2,40	4990	3183	8173	3010	15817	17827	0,83	0,07	2,01	6,15	6,15	9,53	1,02	0,99	15,97	17,40
	4,40	2,55	4995	3248	8243	3005	15752	17757	0,83	0,07	2,01	6,49	6,49	9,88	1,02	0,99	16,49	17,92
	4,60	2,75	4973	3243	8216	3027	15757	17784	0,83	0,07	2,06	6,82	6,82	10,28	0,97	0,94	17,01	18,45
	4,80	2,90	4954	3270	8224	3046	15730	17776	0,83	0,07	2,06	7,14	7,14	10,63	0,97	0,94	17,53	18,98
	5,05	2,90	4958	3285	8243	3042	15715	17757	0,83	0,07	2,06	7,56	7,56	10,88	0,97	0,94	18,19	19,64
	5,30	2,90	4966	3302	8268	3034	15698	17732	0,83	0,07	2,06	7,98	7,98	11,13	0,97	0,94	18,84	20,30
5,60	2,85	5013	3394	8407	2987	15606	17593	0,83	0,07	2,01	8,49	8,49	11,38	1,02	0,99	19,63	21,10	
5,90	2,80	5026	3405	8432	2974	15595	17568	0,83	0,07	2,01	9,01	9,01	11,63	1,02	0,99	20,41	21,89	
SLEEPER HIGH CAB	WB	AE <sup>5)</sup>	Front	Rear	Total	Front	Rear	Total	AC	CB <sup>6)</sup>	CH	BL <sup>7)</sup>	BL	TL	HA <sup>8)</sup>	HA <sup>9)</sup>	TK <sup>10)</sup>	TW <sup>11)</sup>
	4,20	2,40	5020	3182	8202	2980	15818	17798	0,83	0,07	2,49	6,17	6,17	9,53	1,02	0,99	15,97	17,40
	4,40	2,55	5025	3247	8272	2975	15753	17728	0,83	0,07	2,49	6,50	6,50	9,88	1,02	0,99	16,49	17,92
	4,60	2,75	5003	3242	8245	2997	15758	17755	0,83	0,07	2,54	6,82	6,82	10,28	0,97	0,94	17,01	18,45
	4,80	2,90	4984	3270	8254	3016	15730	17746	0,83	0,07	2,54	7,16	7,16	10,63	0,97	0,94	17,53	18,98
	5,05	2,90	4988	3285	8273	3012	15715	17727	0,83	0,07	2,54	7,56	7,56	10,88	0,97	0,94	18,19	19,64
	5,30	2,90	4996	3302	8297	3004	15698	17703	0,83	0,07	2,54	7,99	7,99	11,13	0,97	0,94	18,84	20,30
5,60	2,85	5043	3393	8436	2957	15607	17564	0,83	0,07	2,49	8,51	8,51	11,38	1,02	0,99	19,63	21,10	
5,90	2,80	5056	3405	8461	2944	15595	17539	0,83	0,07	2,49	9,03	9,03	11,63	1,02	0,99	20,41	21,89	

OTHER DIMENSIONS VA: 1,53 WN: 1,40 HV<sup>12)</sup>: 0,97 HV<sup>13)</sup>: 0,93 RB: 0,79 SB: 1,82 TB<sup>14)</sup>: 2,48

- GVM in conformity with registration documents.
- GCM in conformity with registration documents.
- Axle load with standard tyre size.
- Chassis and cab weight calculated with: Standard specification items only with 340 litres of fuel, 45 litres of AdBlue® and driver of 90 kg, tolerance ± 3%. Changing of the specification can have major impact on vehicle weight.
- Other AE dimensions may be available for shown WB. Modify rear overhang to the calculated body length.
- CB is based on standard air intake and/or exhaust.
- Calculate customer specific body length with TOPEC. Body lengths shown based on evenly distributed load at max axle load.

- Unladen height at centre of driven axle (trailing axle down).
- Laden height at centre of driven axle(s).
- TK = turning circle between kerbs.
- TW = turning circle between walls.
- Unladen height at centre of front axle(s).
- Laden height at centre of front axle(s).
- TB is overall width at rear. (At centre of front axle 255).

Depending on the vehicle configuration a specific option may not be possible. The availability and specification of this vehicle may differ per country. For further information please contact the DAF organisation. Pictures and technical illustrations are not binding in detail and can differ from the standard specification. Subject to modification without prior notice.