

# Specification sheet

## XD 300

FT 4X2 Tractor, Low Deck



### ENGINES

|                                       |
|---------------------------------------|
| XD NewGen 300 MX-11 (220 kW / 299 hp) |
| XD NewGen 340 MX-11 (251 kW / 341 hp) |
| XD NewGen 370 MX-11 (270 kW / 367 hp) |
| XD NewGen 410 MX-11 (300 kW / 408 hp) |
| XD NewGen 450 MX-11 (330 kW / 449 hp) |

### GVM<sup>1)</sup>

|                    |
|--------------------|
| 18000 kg           |
|                    |
| Max. front 7500 kg |
| Max. rear 11500 kg |

### GCM<sup>2)</sup>

|          |
|----------|
| 38000 kg |
|          |
|          |
|          |

016GG0101BAAA - 202513E - 11-12-2024

DAF Trucks Ltd, UK, Haddenham, HP17 8LJ, [www.daf.co.uk](http://www.daf.co.uk)

## CAB EXTERIOR

; Cab suspension mechanical; LED head lights; DAF Corner View.

### Optional

|   |   |
|---|---|
| <b>06244</b> Sleeper High Cab                           | <b>00949</b> LED Skylights; aux. LED lights on cab rf, prepared |
| <b>01226</b> Cab suspension air                         | <b>01925</b> Two LED work lamps for cab rear wall               |
| <b>03358</b> External sun visor                         | <b>01891</b> Hazard beacons on cab front, prepared              |
| <b>06790</b> Aluminium ladder 1-piece                   | <b>06629</b> Two hazard beacon lights                           |
| <b>06791</b> Aluminium ladder 2-piece                   | <b>03232</b> Front windscreen with solar control foil           |
| <b>03922</b> Fog lights front                           | <b>03317</b> Rear window: double glass                          |
| <b>00936</b> Auxiliary LED lights on cab roof, prepared | <b>07343</b> Kerb view window co-driver door                    |
| <b>01836</b> LED Skylights                              | <b>01362</b> DAF Digital Vision System                          |

## AERODYNAMICS

### Optional

|   |  |
|---|--|
| <b>03793</b> No roof air deflector                              | <b>02665</b> Adj. roof air defl. long mid XD Sleeper High Cab  |
| <b>00010</b> Adj. roof air deflector short Sleeper High Cab     | <b>00021</b> Adj. roof air deflector long low Sleeper High Cab |
| <b>00138</b> Adj. rf air defl. long mid >4m(!) Sleeper High Cab | <b>04905</b> No side collars                                   |
| <b>01552</b> Adj. roof air defl. long high >4m(!) Sleeper High  | <b>03074</b> Side collars, both sides hinged                   |

## COLOURS

Cab colour E1980 Crystal White; Chassis colour grey.; Colour of bumper: Crystal White.

## CAB INTERIOR

Cab interior trim colour: Luxury; Dashboard finish: Vision; Cab interior decoration: Hexagon; Driver seat: Comfort Air; Co-driver seat: cinema with fabric cover; No dashboard table; Storage compartment in centre; Automatic Temperature Control and airc; Auxiliary cab heater (water).

### Optional

|  |   |
|--|---|
| <b>02353</b> Cab interior decoration: Argenta          | <b>03948</b> Single drawer                                    |
| <b>02350</b> Cab interior decoration: Natura           | <b>03954</b> Refrigerator                                     |
| <b>07733</b> Driver seat: Luxury Air                   | <b>02854</b> Xtra Comfort mattress for lower bunk             |
| <b>07736</b> Driver seat: Super Air                    | <b>01775</b> Xtra Comfort mattress with topper for lower bunk |
| <b>07737</b> Driver seat: Xtra Leather Air             | <b>01177</b> Luggage carrier                                  |
| <b>09541</b> Arm rest driver seat                      | <b>01066</b> Upper bunk                                       |
| <b>01740</b> Arm rest at both sides of the driver seat | <b>06970</b> Automatic Cab Climate Control                    |
| <b>02837</b> Dashboard table                           |   |

## COMMUNICATION AND DRIVING MANAGEMENT

PACCAR Connect; Tachograph digital, Stoneridge 1C version G2V2; Speed limiter setting 85/90 km/h; DAF Infotainment Luxury with Luxury speakers; Adaptive Cruise Control with FCW and AEBS-3.

### Optional

|   |   |
|---|---|
| <b>09681</b> Preparation for Maut                           | <b>01915</b> DAF Infotainment System: Luxury Plus |
| <b>06211</b> DAF Infotainment System with FM/DAB/DAB+ radio | <b>16161</b> No audio equipment, makes and types  |
| <b>03470</b> DAF Infotainment System: Exclusive, prepared   |   |

## SAFETY AND SECURITY

Lane Departure Warning System; Vehicle Stability Control (VSC); Basic engine immobiliser system; DAF Side & Turn Assist.

### Optional

|  |  |
|--|--|
| <b>08631</b> Air bag (driver) and 2 seat belt tensioners | <b>00795</b> Safety regulations EC ADP |
| <b>02178</b> Main switch with second control in the cab  |  |

## SUSPENSION AND AXLES

Front: 8.00 t, parabolic, 163N; Rear axle load 11.50 t; Rear: air suspension, SR1344; No lifting device.

### Optional

|                                |                                   |
|--------------------------------|-----------------------------------|
| <b>04647</b> Front springs air | <b>08191</b> Axle load monitoring |
| <b>04588</b> Rear axle SR1347  |                                   |

## WHEELS AND TYRES

Driven rear axle(s): 295/55R22.5; F1,315/60R22.5GO FMXSE 154/148 L Steering BBB 3P; R1,295/55R22.5GO FMAXD2 147/145 K Traction BBB 3P.

### Optional

|                                   |
|-----------------------------------|
| <b>16152</b> Tyre makes and types |
|-----------------------------------|

## DRIVELINE

Engine MX-11, multi torque 6 cylinder diesel engine, 10.8 litres. Output 220 kW (299 hp) at 1600 rpm. Max. torque 1450 Nm at 900-1400 rpm.; Exhaust emission Euro 6; Eco fuel; 12-speed TraXon 12TX1810 OD, 12.92-0.77; Gearbox ratio 12.92-0.77; Rear axle ratio 2.64; ASR.

### Optional

|   |  |
|---|--|
| <b>07110</b> Eco performance                  | <b>08371</b> Long Combination Vehicle (LCV)                |
| <b>02313</b> Gearbox direct drive             | <b>09638</b> Off-road applications                         |
| <b>01514</b> Urge-to-move                     | <b>01498</b> Off-road applications with Rock-free function |
| <b>07101</b> Standard transport, Lite version | <b>02843</b> Mechanical differential lock                  |
| <b>09637</b> Liquid transport                 |  |

## BRAKE SYSTEM

Exhaust brake; Ventilated disc brakes front and rear. Dual circuit air system with electronic control (EBS). Engine driven, water cooled air compressor with automatic air heated dryer..

### Optional

|   |   |
|---|---|
| <b>09921</b> MX Engine Brake                      | <b>01497</b> Park brake control pneumatic with spoken warning |
| <b>02715</b> ZF Intarder                          | <b>04901</b> Spring brake cylinders on the first front axle   |
| <b>01572</b> Park brake control electro-pneumatic |   |

## CHASSIS

Wheelbase 3.80 m / rear overhang 0.87 m; Side member height 260 mm; Standard component location; 400 l alu fuel tank LH, height 580 mm; Tank for AdBlue® 40 l, on left-hand mudguard; Front underrun protection (FUP); Catwalk with step; Rear mudguards; Spray suppression; Work lamp LED.

### Optional

|  |                                   |
|--|-----------------------------------|
| <b>16157</b> Fuel tanks, material and sizes      | <b>03323</b> Rear light with LEDs |
| <b>07071</b> Spare wheel carrier right-hand side |                                   |

## DRAWBAR AND TRAILER EQUIPMENT

JOST JSK37C cast iron 150+40mm; Pneumatic trailer connection palm type; Electric connection 24 V / 2x7 pins.

### Optional

**03178** Towing hook D= 4.3      **16151** 5th wheel makes and heights

## BODIES AND PREPARATIONS FOR BODYING

### Optional

**02811** Tail lift connection Anderson      **02812** Tail lift connection REMA

## POWER TAKE-OFF (PTO)

### Optional

**16148** PTO types and positions

## 24V POWER SUPPLY

Alternator 110 A, batteries 2x 175 Ah..

### Optional

**04492** Alternator 130 A      **07671** Batteries 2x210Ah AGM C-type  
**08775** Alternator 150 A      **06440** Batteries 2x230Ah

## GVM AND GCM

Chassis weight related technical GVM max 19500 kg; Driveline related max GCM 38000 kg class 2.

## APPLICATION CONDITIONS

Air intake front.

### Optional

**08400** Silent mode      **06614** Anti-dust blow-up shield  
**02260** Extra cab insulation      **06620** Anti-dust blow-up shield + bugscreen  
**03648** Cyclonic air intake high

## SERVICE AND MAINTENANCE

Standard Warranty takes care of 1 year complete vehicle as supplied by the OEM (excl. real wear parts), 2nd year driveline and 1st year breakdown.; ITS service.

### Optional

**08311** Service interval extended

## VEHICLE DELIVERY

Minimum toolkit.

### Optional

**07569** Lifting jack

## OPTION PACKAGES

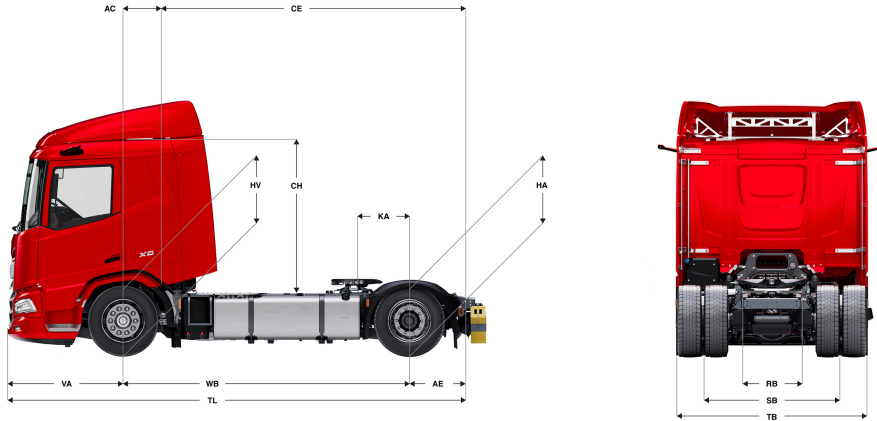
### Optional

**17448** Safety pack      **17595** Executive Pack XD/XF

Go to [DAF.com](https://www.daf.com) to configure your own perfect DAF.

# XD 300

## FT 4X2 Tractor, Low Deck



|                  | Wheelbase - AE |                  | Unladen weight <sup>1)</sup> |      |       | Gross Carrying Capacity |      |       | Variable dimensions |      |      |                  |      |                  |                  |                  |                   |
|------------------|----------------|------------------|------------------------------|------|-------|-------------------------|------|-------|---------------------|------|------|------------------|------|------------------|------------------|------------------|-------------------|
|                  | WB             | AE <sup>3)</sup> | Front                        | Rear | Total | Front                   | Rear | Total | AC                  | CE   | CH   | KA <sup>9)</sup> | TL   | HA <sup>7)</sup> | HA <sup>8)</sup> | TK <sup>9)</sup> | TW <sup>10)</sup> |
| SLEEPER CAB      | 3,60           | 0,87             | 5098                         | 2158 | 7255  | 2402                    | 9342 | 10745 | 0,83                | 3,64 | 2,85 | 0,57             | 6,00 | 0,78             | 0,78             | 12,97            | 14,35             |
|                  | 3,80           | 0,87             | 5101                         | 2165 | 7267  | 2399                    | 9335 | 10733 | 0,83                | 3,84 | 2,85 | 0,77             | 6,20 | 0,78             | 0,78             | 13,49            | 14,87             |
| SLEEPER HIGH CAB | 3,60           | 0,87             | 5073                         | 2153 | 7226  | 2427                    | 9347 | 10774 | 0,83                | 3,64 | 2,69 | 0,57             | 6,00 | 0,78             | 0,78             | 12,97            | 14,35             |
|                  | 3,80           | 0,87             | 5077                         | 2161 | 7238  | 2423                    | 9339 | 10762 | 0,83                | 3,84 | 2,69 | 0,77             | 6,20 | 0,78             | 0,78             | 13,49            | 14,87             |

OTHER DIMENSIONS VA: 1,53 HV<sup>11)</sup>: 0,88 HV<sup>12)</sup>: 0,83 RB: 0,79 SB: 1,82 TB<sup>13)</sup>: 2,46

- 1) GVM in conformity with registration documents.
- 2) GCM in conformity with registration documents.
- 3) Axle load with standard tyre size.
- 4) Chassis and cab weight calculated with: Standard specification items only with 400 litres of fuel, 40 litres of AdBlue® and driver of 90 kg, tolerance ± 3%. Changing of the specification can have major impact on vehicle weight.
- 5) Other AE dimensions may be available for shown WB.
- 6) Calculate customer specific KA with TOPEC.

- 7) Unladen height at centre of driven axle(s).
- 8) Laden height at centre of driven axle(s).
- 9) TK = turning circle between kerbs.
- 10) TW = turning circle between walls.
- 11) Unladen height at centre of front axle(s).
- 12) Laden height at centre of front axle(s).
- 13) TB is overall width at rear. (At centre of front axle 255).

Depending on the vehicle configuration a specific option may not be possible. The availability and specification of this vehicle may differ per country. For further information please contact the DAF organisation. Pictures and technical illustrations are not binding in detail and can differ from the standard specification. Subject to modification without prior notice.