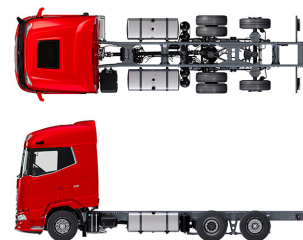


# Specification sheet

## XG 450

FAR 6X2 Rigid, single mounted trailing axle



### ENGINES

- XG NewGen 450 MX-11 (330 kW / 449 hp)
- XG NewGen 430 MX-13 (315 kW / 428 hp)
- XG NewGen 480 MX-13 (355 kW / 483 hp)
- XG NewGen 530 MX-13 (390 kW / 530 hp)

### GVM<sup>1)</sup>

- 26000 kg
- Max. front 8000 kg
- Max. rear 19000 kg

### GCM<sup>2)</sup>

- 44000 kg

016F0329CAAA - 202513C - 06-12-2024

DAF Trucks Ltd, UK, Haddenham, HP17 8LJ, [www.daf.co.uk](http://www.daf.co.uk)

## CAB EXTERIOR

Luxurious cab for XG series, with unrivalled aerodynamics for fuel efficient driving and low CO2 emissions. The huge and deep frontscreen, curved at the sides combined with large side windows offer an unsurpassed direct view for the driver, to enhance road safety. The cab interior is extremely comfortable for driving, living and sleeping with unprecedented spaciousness and practical layout. Cab length: 2690 mm; cab width: 2500 mm. Number of cab entrance steps: 3.; Cab suspension mechanical; LED head lights; Front view mirror.

### Optional

<b>02889</b> Chassis front execution: no bottom plate	<b>01891</b> Hazard beacons on cab front, prepared
<b>02952</b> Chassis front execution: bottom plate aero	<b>06629</b> Two hazard beacon lights
<b>03358</b> External sun visor	<b>03232</b> Front windscreen with solar control foil
<b>03922</b> Fog lights front	<b>01550</b> No front view mirror
<b>00949</b> LED Skylights; aux. LED lights on cab rf, prepared	<b>01362</b> DAF Digital Vision System
<b>01925</b> Two LED work lamps for cab rear wall	<b>01913</b> DAF Corner View

## AERODYNAMICS

### Optional

<b>03846</b> No roof air deflector	<b>01562</b> Adj. roof air deflector; over 4 m (!) for XG cab
------------------------------------	---

## COLOURS

Cab colour E1980 Crystal White; Chassis colour grey.; Colour of bumper: Crystal White.

## CAB INTERIOR

Cab interior trim colour: Exclusive; Dashboard finish: Plateau; Cab interior decoration: Hexagon; Driver seat: Comfort Air; Arm rest driver seat; Co-driver seat: cinema with fabric cover; Dashboard table; Storage compartment in centre; Luggage carrier; Automatic Temperature Control and airco; Auxiliary cab heater (water); No roof hatch.

### Optional

<b>02355</b> Steering wheel, leather	<b>04069</b> Two refrigerators
<b>02043</b> Dashboard finish: Vision	<b>02854</b> Xtra Comfort mattress for lower bunk
<b>02353</b> Cab interior decoration: Argenta	<b>02841</b> Foam mattress for adjustable lower bunk
<b>02350</b> Cab interior decoration: Natura	<b>01775</b> Xtra Comfort mattress with topper for lower bunk
<b>07733</b> Driver seat: Luxury Air	<b>02858</b> Xtra Comfort mattress for adjustable lower bunk
<b>07736</b> Driver seat: Super Air	<b>02860</b> Xtra Comfort mattress + topper for adj. lower bunk
<b>07737</b> Driver seat: Xtra Leather Air	<b>02380</b> Mattress for DAF Relax Bed
<b>02241</b> Driver seat, swivel base	<b>04150</b> Mattress with topper for DAF Relax Bed
<b>06469</b> Storage compartment with drawer in centre	<b>01066</b> Upper bunk
<b>04070</b> Two drawers	<b>06970</b> Automatic Cab Climate Control
<b>04050</b> Refrigerator and drawer	<b>01967</b> Park air conditioning, integrated

## COMMUNICATION AND DRIVING MANAGEMENT

PACCAR Connect; Tachograph digital, Stoneridge 1C version G2V2; Speed limiter setting 85/90 km/h; DAF Infotainment Luxury with Luxury speakers; Adaptive Cruise Control with FCW and AEBS-3; Driver Performance Assistant.

### Optional

<b>09681</b> Preparation for Maut	<b>03470</b> DAF Infotainment System: Exclusive, prepared
<b>06211</b> DAF Infotainment System with FM/DAB/DAB+ radio	<b>01915</b> DAF Infotainment System: Luxury Plus

## SAFETY AND SECURITY

DAF drowsiness detection; Lane Departure Warning System; Vehicle Stability Control (VSC); Basic engine immobiliser system.

### Optional

<b>08631</b> Air bag (driver) and 2 seat belt tensioners	<b>00795</b> Safety regulations EC ADP
<b>02569</b> No Driver State Monitoring	<b>01952</b> No DAF Side/Turn Assist

## SUSPENSION AND AXLES

Front: 8.00 t, parabolic, 163N; Rear axle load 12.00 t; Rear: 19.50 t, air suspension, SR1344; Trailing axle load 7.5t; Lifting device.

### Optional

<b>06257</b> Front axle load 9.00 t	<b>04588</b> Rear axle SR1347
<b>06095</b> Front axle load 10.00 t	<b>03040</b> Rear axle load 11.50 t
<b>04647</b> Front springs air	<b>08191</b> Axle load monitoring
<b>04057</b> Rear axle HR1356	

## WHEELS AND TYRES

Driven rear axle(s): 315/70R22.5; F1,315/70R22.5GO FMXSE 156/150 L Steering BBA 3P; R1,315/70R22.5GO FMXDE 154/150 L Traction BBA 3P; R2,315/70R22.5GO FMXSE 156/150 L Steering BBA 3P.

### Optional

<b>16152</b> Tyre makes and types
-----------------------------------

## DRIVELINE

Engine MX-11, multi torque 6 cylinder diesel engine, 10.8 litres. Output 330 kW (449 hp) at 1600 rpm. Maximum torque 2350 Nm at 900-1125 rpm.; Exhaust emission Euro 6; Eco fuel; 12-speed TraXon 12TX2210 DD, 16.69-1.00; Gearbox ratio 16.69-1.00; Rear axle ratio 2.38.

### Optional

<b>07110</b> Eco performance	<b>08371</b> Long Combination Vehicle (LCV)
<b>02314</b> Gearbox overdrive	<b>09638</b> Off-road applications
<b>07101</b> Standard transport, Lite version	<b>01498</b> Off-road applications with Rock-free function
<b>09636</b> Heavy haulage	<b>02843</b> Mechanical differential lock
<b>09637</b> Liquid transport	

## BRAKE SYSTEM

MX Engine Brake; Ventilated disc brakes front and rear. Dual circuit air system with electronic control (EBS). Engine driven, water cooled aire compressor with automatic air heated dryer..

### Optional

<b>02715</b> ZF Intarder	<b>04901</b> Spring brake cylinders on the first front axle
<b>01572</b> Park brake control electro-pneumatic	<b>00929</b> Driven rear axle with drum brakes
<b>01497</b> Park brake control pneumatic with spoken warning	

### CHASSIS

Wheelbase 4.60 m / rear overhang 2.55 m; Side member height 310 mm; Standard component location; 340 l alu fuel tank LH, height 620 mm; Tank for AdBlue® 45 l, left-hand side chassis; Front underrun protection (FUP); Spray suppression.

### Optional

<b>02393</b> Side member height 260 mm	<b>07071</b> Spare wheel carrier right-hand side
<b>16157</b> Fuel tanks, material and sizes	<b>03323</b> Rear light with LEDs

### DRAWBAR AND TRAILER EQUIPMENT

D-value cross member D=13.7; Pneumatic trailer connection C-type; Electric connection 24 V / 2x7 pins.

### Optional

<b>07033</b> Trailer coupling Ringfeder D=13.7	<b>08027</b> Trailer coupling Rockinger D=20.0
<b>07034</b> Trailer coupling Ringfeder D=20.0	<b>04659</b> Trailer cable EBS
<b>08026</b> Trailer coupling Rockinger D=13.0	

### BODIES AND PREPARATIONS FOR BODYING

Application connector chassis.

### Optional

<b>09421</b> Additional spare wiring	<b>09208</b> Chassis preparation for BDF Multi system
<b>09201</b> Chassis preparation for BDF	<b>08121</b> Tail lift application

### POWER TAKE-OFF (PTO)

### Optional

<b>16148</b> PTO types and positions
--------------------------------------

### 24V POWER SUPPLY

Alternator 110 A, batteries 2x 230 Ah..

### Optional

<b>04492</b> Alternator 130 A	<b>07671</b> Batteries 2x210Ah AGM C-type
<b>08775</b> Alternator 150 A	

### GVM AND GCM

Chassis weight related technical GVM max 27000 kg; Driveline related max GCM 44000 kg class 2.

### APPLICATION CONDITIONS

Air intake front.

### Optional

<b>02260</b> Extra cab insulation	<b>06620</b> Anti-dust blow-up shield + bugscreen
<b>06614</b> Anti-dust blow-up shield	

### SERVICE AND MAINTENANCE

Standard Warranty takes care of 1 year complete vehicle as supplied by the OEM (excl. real wear parts), 2nd year driveline and 1st year breakdown.; ITS service.

### Optional

<b>08311</b> Service interval extended
--

### VEHICLE DELIVERY

Minimum toolkit.

### Optional

<b>07569</b> Lifting jack
---------------------------

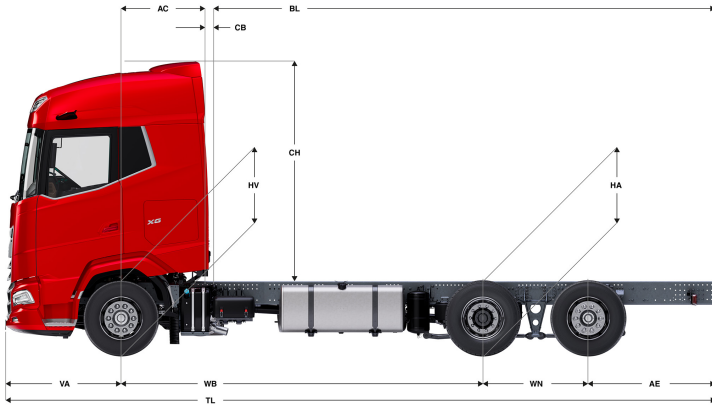
### OPTION PACKAGES

### Optional

<b>17448</b> Safety pack	<b>17625</b> Climate Pack
<b>17596</b> Executive Pack XG/XG+	

# XG 450

## FAR 6X2 Rigid, single mounted trailing axle



	Wheelbase - AE		Unladen weight <sup>1)</sup>			Gross Carrying Capacity			Variable dimensions									
	WB	AE <sup>2)</sup>	Front	Rear	Total	Front	Rear	Total	AC	CB <sup>6)</sup>	CH	BL <sup>7)</sup>	BL	TL	HA <sup>8)</sup>	HA <sup>9)</sup>	TK <sup>10)</sup>	TW <sup>11)</sup>
XG CAB	4,60	2,55	5070	3566	8636	2930	15434	17364	1,16	0,08	2,91	6,15	6,15	10,08	1,02	0,99	17,01	18,45
	4,80	2,70	5064	3603	8667	2936	15397	17333	1,16	0,08	2,91	6,47	6,47	10,43	1,02	0,99	17,53	18,98
	5,05	2,90	5057	3651	8708	2943	15349	17292	1,16	0,08	2,91	6,88	6,88	10,88	1,02	0,99	18,19	19,64
	5,30	2,90	5056	3636	8691	2944	15364	17309	1,16	0,08	2,91	7,31	7,31	11,13	1,02	0,99	18,84	20,30
	5,60	2,85	5093	3691	8783	2907	15309	17217	1,16	0,08	2,91	7,83	7,83	11,38	1,02	0,99	19,63	21,10
	5,90	2,80	5109	3700	8809	2891	15300	17191	1,16	0,08	2,91	8,34	8,34	11,63	1,02	0,99	20,41	21,89
	6,10	2,80	5118	3711	8828	2882	15289	17172	1,16	0,08	2,91	8,67	8,67	11,83	1,02	0,99	20,94	22,42

OTHER DIMENSIONS VA: 1,53 WN: 1,40 HV<sup>12)</sup>: 1,02 HV<sup>13)</sup>: 1,00 RB: 0,79 SB: 1,82 TB<sup>14)</sup>: 2,48

1) GVM in conformity with registration documents.  
 2) GCM in conformity with registration documents.  
 3) Axle load with standard tyre size.  
 4) Chassis and cab weight calculated with: Standard specification items only with 340 litres of fuel, 45 litres of AdBlue® and driver of 90 kg, tolerance ± 3%. Changing of the specification can have major impact on vehicle weight.  
 5) Other AE dimensions may be available for shown WB. Modify rear overhang to the calculated body length.  
 6) CB is based on standard air intake and/or exhaust.  
 7) Calculate customer specific body length with TOPEC. Body lengths shown based on evenly distributed load at max axle load.

8) Unladen height at centre of driven axle (trailing axle down).  
 9) Laden height at centre of driven axle(s).  
 10) TK = turning circle between kerbs.  
 11) TW = turning circle between walls.  
 12) Unladen height at centre of front axle(s).  
 13) Laden height at centre of front axle(s).  
 14) TB is overall width at rear. (At centre of front axle 255).

Depending on the vehicle configuration a specific option may not be possible. The availability and specification of this vehicle may differ per country. For further information please contact the DAF organisation. Pictures and technical illustrations are not binding in detail and can differ from the standard specification. Subject to modification without prior notice.