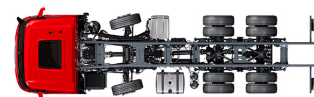


# Specification sheet

## XD 370

FAD 8X4 Rigid, Mixer



### ENGINES

- XD NewGen 370 MX-11 (270 kW / 367 hp)
- XD NewGen 410 MX-11 (300 kW / 408 hp)
- XD NewGen 450 MX-11 (330 kW / 449 hp)

### GVM<sup>1)</sup>

32000 kg

Max. front 14200 kg

Max. rear 19000 kg

### GCM<sup>2)</sup>

35500 kg

## CAB EXTERIOR

Luxurious Day Cab with unrivalled aerodynamics for fuel efficient driving and low CO2 emissions. The huge and deep frontscreen, curved at the sides combined with large side windows offer an unsurpassed direct view for the driver, to enhance road safety. Cab length: 2030 mm; cab width: 2500 mm. Number of cab entrance steps: 3.; Cab suspension mechanical; LED head lights; DAF Corner View.

### Optional

<b>07018</b> Sleeper Cab	<b>00949</b> LED Skylights; aux. LED lights on cab rf, prepared
<b>06244</b> Sleeper High Cab	<b>01925</b> Two LED work lamps for cab rear wall
<b>07586</b> Chassis front execution: robust	<b>01891</b> Hazard beacons on cab front, prepared
<b>01226</b> Cab suspension air	<b>06629</b> Two hazard beacon lights
<b>03358</b> External sun visor	<b>03232</b> Front windscreen with solar control foil
<b>03922</b> Fog lights front	<b>03317</b> Rear window: double glass
<b>00936</b> Auxiliary LED lights on cab roof, prepared	<b>07343</b> Kerb view window co-driver door
<b>01836</b> LED Skylights	<b>01362</b> DAF Digital Vision System

## AERODYNAMICS

### Optional

<b>00008</b> Adj. roof air deflector short Sleeper High Cab	<b>00082</b> Adj. roof air deflector for Day Cab
<b>00124</b> Adj. rf air defl.long mid >4m(!) Sleeper High Cab	<b>00097</b> Adj. roof air deflector for Sleeper Cab
<b>01538</b> Adj. roof air defl. long high >4m(!) Sleeper High	<b>00020</b> Adj. roof air deflector long low Sleeper High Cab

## COLOURS

Cab colour E1980 Crystal White; Chassis colour grey.; Colour of bumper: Crystal White.

## CAB INTERIOR

Cab interior trim colour: Luxury; Dashboard finish: Vision; Cab interior decoration: Hexagon; Driver seat: Comfort Air; Co-driver seat: cinema with fabric cover; No dashboard table; Storage compartment in centre; Automatic Temperature Control and airco; No auxiliary cab heater.

### Optional

<b>02354</b> Steering wheel with silver accents	<b>02117</b> Third seat
<b>02355</b> Steering wheel, leather	<b>02837</b> Dashboard table
<b>02353</b> Cab interior decoration: Argenta	<b>03948</b> Single drawer
<b>02350</b> Cab interior decoration: Natura	<b>03954</b> Refrigerator
<b>07733</b> Driver seat: Luxury Air	<b>02838</b> Foam mattress for lower bunk
<b>07736</b> Driver seat: Super Air	<b>02854</b> Xtra Comfort mattress for lower bunk
<b>07737</b> Driver seat: Xtra Leather Air	<b>01775</b> Xtra Comfort mattress with topper for lower bunk
<b>09541</b> Arm rest driver seat	<b>06970</b> Automatic Cab Climate Control
<b>01740</b> Arm rest at both sides of the driver seat	

## COMMUNICATION AND DRIVING MANAGEMENT

PACCAR Connect; Tachograph digital, Stoneridge 1C version G2V2; Speed limiter setting 85/90 km/h; DAF Infotainment Luxury with Luxury speakers; Adaptive Cruise Control (ACC) with FCW; Driver Performance Assistant.

### Optional

<b>09681</b> Preparation for Maut	<b>09908</b> Cruise control
<b>06211</b> DAF Infotainment System with FM/DAB/DAB+ radio	<b>08023</b> Adaptive Cruise Control with FCW and AEBS-3
<b>03470</b> DAF Infotainment System: Exclusive, prepared	<b>06991</b> Predictive Cruise Control
<b>01915</b> DAF Infotainment System: Luxury Plus	

## SAFETY AND SECURITY

Lane Departure Warning System; No vehicle stability control; Basic engine immobiliser system; No EC-ADR packages; DAF Side & Turn Assist.

### Optional

<b>08631</b> Air bag (driver) and 2 seat belt tensioners	<b>00795</b> Safety regulations EC ADR
--	--

## SUSPENSION AND AXLES

Front: 2x 7.10 t, parabolic, 163N; Rear axle load 9.50+ 9.50 t; Rear: 19.00 t, trapezium, SR1132T; No lifting device.

## WHEELS AND TYRES

Driven rear axle(s): 315/70R22.5; F1,315/70R22.5GO FMXSE 156/150 L Steering BBA 3P; R1,315/70R22.5GO FMXDE 154/150 L Traction BBA 3P.

### Optional

**16152** Tyre makes and types

## DRIVELINE

Engine MX-11, multi torque 6 cylinder diesel engine, 10.8 litres. Output 270 kW (367 hp) at 1600 rpm. Maximum torque 1950 Nm at 900-1125 rpm.; Exhaust emission Euro 6; Eco fuel; 12-speed TraXon 12TX2610 OD, 12.92-0.77; Gearbox ratio 12.92-0.77; Rear axle ratio 3.73.

### Optional

<b>07110</b> Eco performance	<b>09638</b> Off-road applications
<b>01514</b> Urge-to-move	<b>01498</b> Off-road applications with Rock-free function
<b>09637</b> Liquid transport	<b>03720</b> No ASR

## BRAKE SYSTEM

MX Engine Brake; Ventilated disc brakes front and rear. Dual circuit air system with electronic control (EBS).Engine driven, water cooled aire compressor with automatic air heated dryer..

### Optional

<b>09920</b> No MX Engine Brake	<b>01497</b> Park brake control pneumatic with spoken warning
<b>02715</b> ZF Intarder	<b>00929</b> Driven rear axle with drum brakes
<b>01572</b> Park brake control electro -pneumatic	

## CHASSIS

Wheelbase 5.70 m / rear overhang 1.65 m; Side member height 310 mm; Standard component location; 340 l alu fuel tank LH, height 620 mm; Tank for AdBlue® 45 l, left below battery box; Front underrun protection (FUP); Spray suppression.

### Optional

<b>08641</b> Air tanks aluminium	<b>03323</b> Rear light with LEDs
<b>16157</b> Fuel tanks, material and sizes	

## DRAWBAR AND TRAILER EQUIPMENT

Closing member D-value = 0kN.

### Optional

- 07033** Trailer coupling Ringfeder D=13.7    **08027** Trailer coupling Rockinger D=20.0  
**07034** Trailer coupling Ringfeder D=20.0    **04659** Trailer cable EBS  
**08026** Trailer coupling Rockinger D=13.0

## BODIES AND PREPARATIONS FOR BODYING

Application connector chassis.

### Optional

- 09421** Additional spare wiring

## POWER TAKE-OFF (PTO)

### Optional

- 16148** PTO types and positions

## 24V POWER SUPPLY

Alternator 110 A, batteries 2x 140 Ah..

### Optional

- 04492** Alternator 130 A    **07671** Batteries 2x210Ah AGM C-type  
**08775** Alternator 150 A  
**08797** Batteries 2x175Ah    **06440** Batteries 2x230Ah

## GVM AND GCM

Chassis weight related technical GVM max 32000 kg; Driveline related max GCM 35500 kg class 2.

### Optional

- 01208** Driveline related max GCM 35500 kg class 3

## APPLICATION CONDITIONS

Air intake front.

### Optional

- 02260** Extra cab insulation    **06614** Anti-dust blow-up shield  
**03648** Cyclonic air intake high    **06620** Anti-dust blow-up shield + bugscreen

## SERVICE AND MAINTENANCE

Standard Warranty takes care of 1 year complete vehicle as supplied by the OEM (excl. real wear parts), 2nd year driveline and 1st year breakdown.; ITS service.

### Optional

- 08311** Service interval extended

## VEHICLE DELIVERY

Minimum toolkit.

### Optional

- 07569** Lifting jack

## OPTION PACKAGES

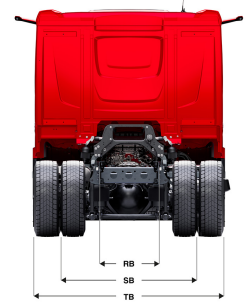
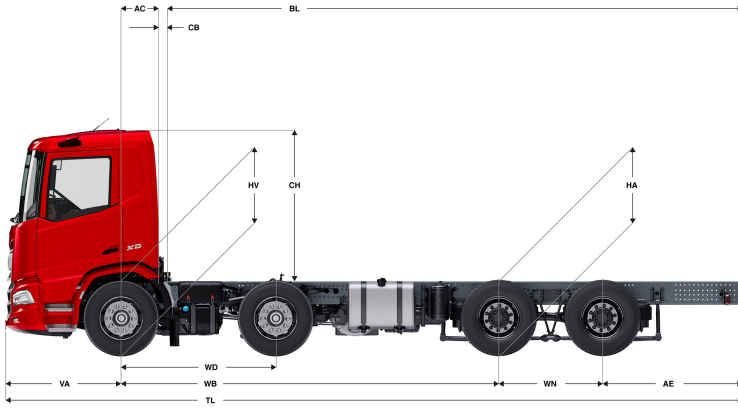
### Optional

- 17448** Safety pack    **17595** Executive Pack XD/XF

Go to [DAF.com](https://www.daf.com) to configure your own perfect DAF.

# XD 370

## FAD 8X4 Rigid, Mixer



	Wheelbase - AE		Unladen weight <sup>1)</sup>			Gross Carrying Capacity			Variable dimensions									
	WB	AE <sup>5)</sup>	Front	Rear	Total	Front	Rear	Total	AC	CB <sup>6)</sup>	CH	BL <sup>7)</sup>	BL	TL	HA <sup>8)</sup>	HA <sup>9)</sup>	TK <sup>10)</sup>	TW <sup>11)</sup>
DAY CAB	5,05	1,65	6724	2548	9272	7476	16452	22728	0,50	0,07	2,01	6,32	6,73	8,23	1,16	1,09	18,39	19,70
	5,30	1,65	6745	2702	9447	7455	16298	22553	0,50	0,07	2,01	6,64	7,08	8,48	1,16	1,09	19,12	20,43
	5,70	1,65	6678	2805	9483	7522	16195	22517	0,50	0,07	2,01	7,14	7,63	8,88	1,16	1,09	20,28	21,60
SLEEPER CAB	5,05	1,65	6860	2524	9385	7340	16476	22615	0,83	0,07	2,01	5,69	6,11	8,23	1,16	1,09	18,39	19,70
	5,30	1,65	6880	2680	9560	7320	16320	22440	0,83	0,07	2,01	6,02	6,47	8,48	1,16	1,09	19,12	20,43
	5,70	1,65	6811	2785	9596	7389	16215	22404	0,83	0,07	2,01	6,52	7,01	8,88	1,16	1,09	20,28	21,60
SLEEPER HIGH CAB	5,05	1,65	6899	2516	9415	7301	16484	22585	0,83	0,07	2,49	5,70	6,12	8,23	1,16	1,09	18,39	19,70
	5,30	1,65	6918	2672	9590	7282	16328	22410	0,83	0,07	2,49	6,03	6,47	8,48	1,16	1,09	19,12	20,43
	5,70	1,65	6848	2777	9625	7352	16223	22375	0,83	0,07	2,49	6,53	7,02	8,88	1,16	1,09	20,28	21,60

OTHER DIMENSIONS	VA: 1,53	WD: 2,05	WT: 1,40	HV <sup>12)</sup> : 1,06	HV <sup>13)</sup> : 0,97	RB: 0,79	SB: 1,82	TB <sup>14)</sup> : 2,48
------------------	----------	----------	----------	--------------------------	--------------------------	----------	----------	--------------------------

1) GVM in conformity with registration documents.  
 2) GCM in conformity with registration documents.  
 3) Axle load with standard tyre size.  
 4) Chassis and cab weight calculated with: Standard specification items only with 340 litres of fuel, 45 litres of AdBlue® and driver of 90 kg, tolerance ± 3%. Changing of the specification can have major impact on vehicle weight.  
 5) Other AE dimensions may be available for shown WB. Modify rear overhang to the calculated body length.  
 6) CB is based on standard air intake and/or exhaust.  
 7) Calculate customer specific body length with TOPEC. Body lengths shown based on evenly distributed load at max axle load.

8) Unladen height at centre of driven axle(s).  
 9) Laden height at centre of driven axle(s).  
 10) TK = turning circle between kerbs.  
 11) TW = turning circle between walls.  
 12) Unladen height at centre of front axle(s).  
 13) Laden height at centre of front axle(s).  
 14) TB is overall width at rear. (At centre of front axle 255).

Depending on the vehicle configuration a specific option may not be possible. The availability and specification of this vehicle may differ per country. For further information please contact the DAF organisation. Pictures and technical illustrations are not binding in detail and can differ from the standard specification. Subject to modification without prior notice.