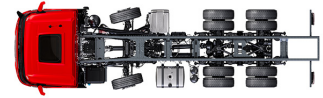


# Specification sheet

## XD 370

FAD 8X4 Rigid



### ENGINES

XD NewGen 370 MX-11 (270 kW / 367 hp)

XD NewGen 410 MX-11 (300 kW / 408 hp)

XD NewGen 450 MX-11 (330 kW / 449 hp)

### GVM<sup>1)</sup>

32000 kg

Max. front 16000 kg

Max. rear 19000 kg

### GCM<sup>2)</sup>

35500 kg

## CAB EXTERIOR

Luxurious Day Cab with unrivalled aerodynamics for fuel efficient driving and low CO2 emissions. The huge and deep frontscreen, curved at the sides combined with large side windows offer an unsurpassed direct view for the driver, to enhance road safety. Cab length: 2030 mm; cab width: 2500 mm. Number of cab entrance steps: 3.; Cab suspension mechanical; LED head lights; DAF Corner View.

### Optional

<b>07018</b> Sleeper Cab	<b>00949</b> LED Skylights; aux. LED lights on cab rf, prepared
<b>06244</b> Sleeper High Cab	<b>01925</b> Two LED work lamps for cab rear wall
<b>03353</b> Chassis front execution: protruding	<b>01891</b> Hazard beacons on cab front, prepared
<b>07586</b> Chassis front execution: robust	<b>06629</b> Two hazard beacon lights
<b>01226</b> Cab suspension air	<b>03232</b> Front windscreen with solar control foil
<b>03358</b> External sun visor	<b>03317</b> Rear window: double glass
<b>03922</b> Fog lights front	<b>07343</b> Kerb view window co-driver door
<b>00936</b> Auxiliary LED lights on cab roof, prepared	<b>01362</b> DAF Digital Vision System
<b>01836</b> LED Skylights	

## AERODYNAMICS

### Optional

<b>00008</b> Adj. roof air deflector short Sleeper High Cab	<b>00082</b> Adj. roof air deflector for Day Cab
<b>00124</b> Adj. rf air defl.long mid >4m(!) Sleeper High Cab	<b>00097</b> Adj. roof air deflector for Sleeper Cab
<b>01538</b> Adj. roof air defl. long high >4m(!) Sleeper High	<b>00020</b> Adj. roof air deflector long low Sleeper High Cab

## COLOURS

Cab colour E1980 Crystal White; Chassis colour grey.; Colour of bumper: Crystal White.

## CAB INTERIOR

Cab interior trim colour: Luxury; Dashboard finish: Vision; Cab interior decoration: Hexagon; Driver seat: Comfort Air; Co-driver seat: cinema with fabric cover; No dashboard table; Storage compartment in centre; Automatic Temperature Control and airco; No auxiliary cab heater.

### Optional

<b>02354</b> Steering wheel with silver accents	<b>02117</b> Third seat
<b>02355</b> Steering wheel, leather	<b>02837</b> Dashboard table
<b>02353</b> Cab interior decoration: Argenta	<b>03948</b> Single drawer
<b>02350</b> Cab interior decoration: Natura	<b>03954</b> Refrigerator
<b>07733</b> Driver seat: Luxury Air	<b>02838</b> Foam mattress for lower bunk
<b>07736</b> Driver seat: Super Air	<b>02854</b> Xtra Comfort mattress for lower bunk
<b>07737</b> Driver seat: Xtra Leather Air	<b>01775</b> Xtra Comfort mattress with topper for lower bunk
<b>09541</b> Arm rest driver seat	<b>06970</b> Automatic Cab Climate Control
<b>01740</b> Arm rest at both sides of the driver seat	

## COMMUNICATION AND DRIVING MANAGEMENT

PACCAR Connect; Tachograph digital, Stoneridge 1C version G2V2; Speed limiter setting 85/90 km/h; DAF Infotainment Luxury with Luxury speakers; Adaptive Cruise Control (ACC) with FCW; Driver Performance Assistant.

### Optional

<b>09681</b> Preparation for Maut	<b>09908</b> Cruise control
<b>06211</b> DAF Infotainment System with FM/DAB/DAB+ radio	<b>08023</b> Adaptive Cruise Control with FCW and AEBS-3
<b>03470</b> DAF Infotainment System: Exclusive, prepared	<b>06991</b> Predictive Cruise Control
<b>01915</b> DAF Infotainment System: Luxury Plus	

## SAFETY AND SECURITY

Lane Departure Warning System; No vehicle stability control; Basic engine immobiliser system; No EC-ADR packages; DAF Side & Turn Assist.

### Optional

<b>08631</b> Air bag (driver) and 2 seat belt tensioners	<b>00795</b> Safety regulations EC ADR
--	--

## SUSPENSION AND AXLES

Front: 2x 8.00 t, parabolic, 163N; Rear axle load 9.50+ 9.50 t; Rear: 19.00 t, trapezium, SR1132T; No lifting device.

### Optional

<b>03299</b> Front axles load 7.10 + 7.10 t	<b>01372</b> Rear springs air
<b>03280</b> Front axles load 7.50 + 7.50 t	<b>04549</b> Rear axle load 10.50+ 10.50 t
<b>06264</b> Front axles load 9.00 + 9.00 t	<b>04563</b> Rear axle load 13.00+ 13.00 t
<b>07494</b> Rear axle HR1670T	<b>08191</b> Axle load monitoring
<b>02788</b> Rear axle SR1360T	

## WHEELS AND TYRES

Driven rear axle(s): 315/70R22.5; F1,315/70R22.5GO FMXSE 156/150 L Steering BBA 3P; R1,315/70R22.5GO FMXDE 154/150 L Traction BBA 3P.

### Optional

<b>16152</b> Tyre makes and types
-----------------------------------

## DRIVELINE

Engine MX-11, multi torque 6 cylinder diesel engine, 10.8 litres. Output 270 kW (367 hp) at 1600 rpm. Maximum torque 1950 Nm at 900-1125 rpm.; Exhaust emission Euro 6; Eco fuel; 12-speed TraXon 12TX2610 OD, 12.92-0.77; Gearbox ratio 12.92-0.77; Rear axle ratio 3.73.

### Optional

<b>07110</b> Eco performance	<b>09638</b> Off-road applications
<b>02313</b> Gearbox direct drive	<b>01498</b> Off-road applications with Rock-free function
<b>01514</b> Urge-to-move	<b>03720</b> No ASR
<b>09637</b> Liquid transport	

## BRAKE SYSTEM

MX Engine Brake; Ventilated disc brakes at front, rear tandem axle with drum brakes. Dual circuit air system with electronic control (EBS)..

### Optional

<b>09920</b> No MX Engine Brake	<b>01497</b> Park brake control pneumatic with spoken warning
<b>02715</b> ZF Intarder	
<b>01572</b> Park brake control electro-pneumatic	<b>06127</b> Driven rear axle with disc brakes

## CHASSIS

Wheelbase 5.70 m / rear overhang 1.65 m; Side member height 310 mm; Standard component location; 340 l alu fuel tank LH, height 620 mm; Tank for AdBlue® 45 l, left below battery box; Front underrun protection (FUP); Spray suppression.

### Optional

- 16157** Fuel tanks, material and sizes  
**07070** Spare wheel carrier left-hand side  
**03323** Rear light with LEDs

## DRAWBAR AND TRAILER EQUIPMENT

Closing member D-value = 0kN.

### Optional

- 07033** Trailer coupling Ringfeder D=13.7  
**07034** Trailer coupling Ringfeder D=20.0  
**08026** Trailer coupling Rockinger D=13.0  
**08027** Trailer coupling Rockinger D=20.0  
**04659** Trailer cable EBS

## BODIES AND PREPARATIONS FOR BODYING

Application connector chassis.

### Optional

- 09421** Additional spare wiring

## POWER TAKE-OFF (PTO)

### Optional

- 16148** PTO types and positions

## 24V POWER SUPPLY

Alternator 110 A, batteries 2x 140 Ah..

### Optional

- 04492** Alternator 130 A  
**08775** Alternator 150 A  
**08797** Batteries 2x175Ah  
**07671** Batteries 2x210Ah AGM C-type  
**06440** Batteries 2x230Ah

## GVM AND GCM

Chassis weight related technical GVM max 32000 kg; Driveline related max GCM 35500 kg class 2.

### Optional

- 01208** Driveline related max GCM 35500 kg class 3  
**00200** Driveline related max GCM 38000 kg class 2  
**00209** Driveline related max GCM 40000 kg class 3  
**03673** Driveline related max GCM 44000 kg class 2  
**03675** Driveline related max GCM 50000 kg class 3  
**00778** Driveline related max GCM 58000 kg class 2  
**07279** Driveline related max GCM 60000 kg class 2  
**00818** Driveline related max GCM 60000 kg class 3  
**00157** Driveline related max GCM 61000 kg class 2

## APPLICATION CONDITIONS

Air intake front.

### Optional

- 02260** Extra cab insulation  
**03648** Cyclonic air intake high  
**06614** Anti-dust blow-up shield  
**06620** Anti-dust blow-up shield + bugscreen

## SERVICE AND MAINTENANCE

Standard Warranty takes care of 1 year complete vehicle as supplied by the OEM (excl. real wear parts), 2nd year driveline and 1st year breakdown.; ITS service.

### Optional

- 08311** Service interval extended

## VEHICLE DELIVERY

Minimum toolkit.

### Optional

- 07569** Lifting jack

## OPTION PACKAGES

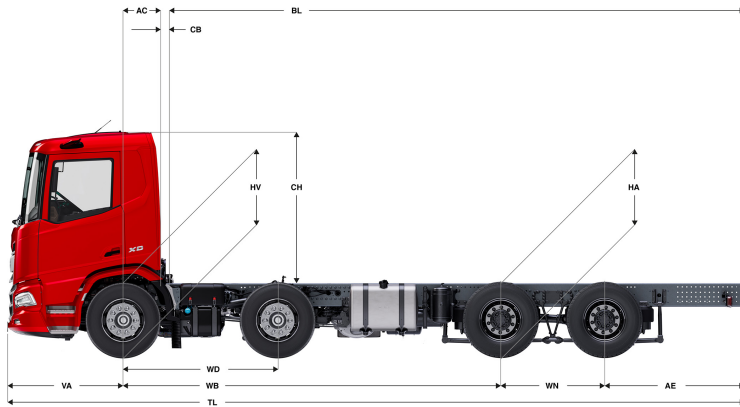
### Optional

- 17448** Safety pack  
**17595** Executive Pack XD/XF

Go to [DAF.com](https://www.daf.com) to configure your own perfect DAF.

# XD 370

## FAD 8X4 Rigid



	Wheelbase - AE		Unladen weight <sup>1)</sup>			Gross Carrying Capacity			Variable dimensions									
	WB	AE <sup>5)</sup>	Front	Rear	Total	Front	Rear	Total	AC	CB <sup>6)</sup>	CH	BL <sup>7)</sup>	BL	TL	HA <sup>8)</sup>	HA <sup>9)</sup>	TK <sup>10)</sup>	TW <sup>11)</sup>
DAY CAB	5,05	1,65	6828	3053	9881	9172	15947	22119	0,50	0,07	2,01	6,03	6,65	8,23	1,14	1,08	18,39	19,70
	5,30	1,65	6874	3216	10091	9126	15784	21909	0,50	0,07	2,01	6,34	7,01	8,48	1,14	1,08	19,12	20,43
	5,70	1,65	6798	2954	9752	9202	16046	22248	0,50	0,07	2,01	6,39	7,64	8,88	1,16	1,09	20,28	21,60
	6,40	2,15	6685	3186	9871	9315	15814	22129	0,50	0,07	2,01	7,14	8,58	10,08	1,16	1,09	22,32	23,65
SLEEPER CAB	WB	AE <sup>5)</sup>	Front	Rear	Total	Front	Rear	Total	AC	CB <sup>6)</sup>	CH	BL <sup>7)</sup>	BL	TL	HA <sup>8)</sup>	HA <sup>9)</sup>	TK <sup>10)</sup>	TW <sup>11)</sup>
	5,05	1,65	6964	3029	9993	9036	15971	22007	0,83	0,07	2,01	5,40	6,03	8,23	1,14	1,08	18,39	19,70
	5,30	1,65	7009	3194	10203	8991	15806	21797	0,83	0,07	2,01	5,70	6,38	8,48	1,14	1,08	19,12	20,43
	5,70	1,65	6931	2934	9865	9069	16066	22135	0,83	0,07	2,01	5,77	7,02	8,88	1,16	1,09	20,28	21,60
6,40	2,15	6815	3169	9984	9185	15831	22016	0,83	0,07	2,01	6,52	7,98	10,08	1,16	1,09	22,32	23,65	
SLEEPER HIGH CAB	WB	AE <sup>5)</sup>	Front	Rear	Total	Front	Rear	Total	AC	CB <sup>6)</sup>	CH	BL <sup>7)</sup>	BL	TL	HA <sup>8)</sup>	HA <sup>9)</sup>	TK <sup>10)</sup>	TW <sup>11)</sup>
	5,05	1,65	7003	3021	10024	8997	15979	21976	0,83	0,07	2,49	5,41	6,04	8,23	1,14	1,08	18,39	19,70
	5,30	1,65	7047	3186	10234	8953	15814	21766	0,83	0,07	2,49	5,72	6,40	8,48	1,14	1,08	19,12	20,43
	5,70	1,65	6968	2927	9894	9032	16073	22106	0,83	0,07	2,49	5,78	7,04	8,88	1,16	1,09	20,28	21,60
6,40	2,15	6851	3162	10014	9149	15838	21986	0,83	0,07	2,49	6,54	7,98	10,08	1,16	1,09	22,32	23,65	

OTHER DIMENSIONS	VA: 1,53	WD: 2,05	WT: 1,40	HV <sup>12)</sup> : 1,06	HV <sup>13)</sup> : 0,97	RB: 0,79	SB: 1,82	TB <sup>14)</sup> : 2,48
------------------	----------	----------	----------	--------------------------	--------------------------	----------	----------	--------------------------

1) GVM in conformity with registration documents.  
 2) GCM in conformity with registration documents.  
 3) Axle load with standard tyre size.  
 4) Chassis and cab weight calculated with: Standard specification items only with 340 litres of fuel, 45 litres of AdBlue® and driver of 90 kg, tolerance ± 3%. Changing of the specification can have major impact on vehicle weight.  
 5) Other AE dimensions may be available for shown WB. Modify rear overhang to the calculated body length.  
 6) CB is based on standard air intake and/or exhaust.  
 7) Calculate customer specific body length with TOPEC. Body lengths shown based on evenly distributed load at max axle load.

8) Unladen height at centre of driven axle(s).  
 9) Laden height at centre of driven axle(s).  
 10) TK = turning circle between kerbs.  
 11) TW = turning circle between walls.  
 12) Unladen height at centre of front axle(s).  
 13) Laden height at centre of front axle(s).  
 14) TB is overall width at rear. (At centre of front axle 255).

Depending on the vehicle configuration a specific option may not be possible. The availability and specification of this vehicle may differ per country. For further information please contact the DAF organisation. Pictures and technical illustrations are not binding in detail and can differ from the standard specification. Subject to modification without prior notice.