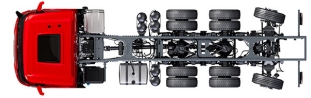


Specification sheet

XD 370

FAW 8X4 Rigid



ENGINES

XD NewGen 370 MX-11 (270 kW / 367 hp)

XD NewGen 410 MX-11 (300 kW / 408 hp)

XD NewGen 450 MX-11 (330 kW / 449 hp)

GVM¹⁾

31000 kg

Max. front 8000 kg

Max. rear 23000 kg

GCM²⁾

42000 kg

CAB EXTERIOR

Luxurious Day Cab with unrivalled aerodynamics for fuel efficient driving and low CO2 emissions. The huge and deep frontscreen, curved at the sides combined with large side windows offer an unsurpassed direct view for the driver, to enhance road safety. Cab length: 2030 mm; cab width: 2500 mm. Number of cab entrance steps: 2.; Cab suspension mechanical; LED head lights; DAF Corner View.

Optional

07018 Sleeper Cab	01836 LED Skylights
06244 Sleeper High Cab	00949 LED Skylights; aux. LED lights on cab rf, prepared
02889 Chassis front execution: no bottom plate	01925 Two LED work lamps for cab rear wall
02952 Chassis front execution: bottom plate aero	01891 Hazard beacons on cab front, prepared
03353 Chassis front execution: protruding	06629 Two hazard beacon lights
07586 Chassis front execution: robust	03232 Front windscreen with solar control foil
01226 Cab suspension air	03317 Rear window: double glass
03358 External sun visor	07343 Kerb view window co-driver door
03922 Fog lights front	01362 DAF Digital Vision System
00936 Auxiliary LED lights on cab roof, prepared	

AERODYNAMICS

Optional

00008 Adj. roof air deflector short Sleeper High Cab	00082 Adj. roof air deflector for Day Cab
00124 Adj. rf air defl.long mid >4m(!) Sleeper High Cab	00097 Adj. roof air deflector for Sleeper Cab
01538 Adj. roof air defl. long high >4m(!) Sleeper High	00020 Adj. roof air deflector long low Sleeper High Cab
02662 Adj. roof air defl. long mid XD Sleeper High Cab	

COLOURS

Cab colour E1980 Crystal White; Chassis colour grey.; Colour of bumper: Crystal White.

CAB INTERIOR

Cab interior trim colour: Luxury; Dashboard finish: Vision; Cab interior decoration: Hexagon; Driver seat: Comfort Air; Co-driver seat: cinema with fabric cover; No dashboard table; Storage compartment in centre; Automatic Temperature Control and airco; No auxiliary cab heater.

Optional

02354 Steering wheel with silver accents	02117 Third seat
02355 Steering wheel, leather	02837 Dashboard table
02353 Cab interior decoration: Argenta	03948 Single drawer
02350 Cab interior decoration: Natura	03954 Refrigerator
07733 Driver seat: Luxury Air	02838 Foam mattress for lower bunk
07736 Driver seat: Super Air	02854 Xtra Comfort mattress for lower bunk
07737 Driver seat: Xtra Leather Air	01775 Xtra Comfort mattress with topper for lower bunk
09541 Arm rest driver seat	06970 Automatic Cab Climate Control
01740 Arm rest at both sides of the driver seat	

COMMUNICATION AND DRIVING MANAGEMENT

PACCAR Connect; Tachograph digital, Stoneridge 1C version G2V2; Speed limiter setting 85/90 km/h; DAF Infotainment Luxury with Luxury speakers; Adaptive Cruise Control (ACC) with FCW; Driver Performance Assistant.

Optional

09681 Preparation for Maut	09908 Cruise control
06211 DAF Infotainment System with FM/DAB/DAB+ radio	08023 Adaptive Cruise Control with FCW and AEBS-3
03470 DAF Infotainment System: Exclusive, prepared	06991 Predictive Cruise Control
01915 DAF Infotainment System: Luxury Plus	

SAFETY AND SECURITY

Lane Departure Warning System; No vehicle stability control; Basic engine immobiliser system; No EC-ADR packages; DAF Side & Turn Assist.

Optional

08631 Air bag (driver) and 2 seat belt tensioners	00795 Safety regulations EC ADR
--	--

SUSPENSION AND AXLES

Front: 8.00 t, parabolic, 163N; Rear axle load 13.00+13.00 t; Rear: 34.00 t, air suspension, SR1360T; Trailing axle load 8.0t; Lifting device.

Optional

06257 Front axle load 9.00 t	07494 Rear axle HR1670T
06095 Front axle load 10.00 t	08191 Axle load monitoring

WHEELS AND TYRES

Driven rear axle(s): 315/70R22.5; F1,315/70R22.5GO FMXSE 156/150 L Steering BBA 3P; R1,315/70R22.5GO FMXDE 154/150 L Traction BBA 3P; R2,315/70R22.5GO FMXSE 156/150 L Steering BBA 3P.

Optional

16152 Tyre makes and types

DRIVELINE

Engine MX-11, multi torque 6 cylinder diesel engine, 10.8 litres. Output 270 kW (367 hp) at 1600 rpm. Maximum torque 1950 Nm at 900-1125 rpm.; Exhaust emission Euro 6; Eco fuel; 12-speed TraXon 12TX2010 DD, 16.69-1.00; Gearbox ratio 16.69-1.00; Rear axle ratio 2.57.

Optional

07110 Eco performance	09638 Off-road applications
02314 Gearbox overdrive	01498 Off-road applications with Rock-free function
01514 Urge-to-move	03720 No ASR
09637 Liquid transport	

BRAKE SYSTEM

MX Engine Brake; Ventilated disc brakes front and rear. Dual circuit air system with electronic control (EBS).Engine driven, water cooled aire compressor with automatic air h eated dryer..

Optional

09920 No MX Engine Brake	01497 Park brake control pneumatic with spoken warning
02715 ZF Intarder	00929 Driven rear axle with drum brakes
01572 Park brake control electro-pneumatic	

CHASSIS

Wheelbase 4.55 m / rear overhang 2.05 m; Side member height 310 mm; Standard component location; 340 l alu fuel tank LH, height 620 mm; Tank for AdBlue® 45 l, left-hand side chassis; Front underrun protection (FUP); Spray suppression.

Optional

16157 Fuel tanks, material and sizes
03323 Rear light with LEDs

DRAWBAR AND TRAILER EQUIPMENT

Closing member D-value = 0kN.

Optional

07033 Trailer coupling Ringfeder D=13.7
08027 Trailer coupling Rockinger D=20.0
07034 Trailer coupling Ringfeder D=20.0
04659 Trailer cable EBS
08026 Trailer coupling Rockinger D=13.0

BODIES AND PREPARATIONS FOR BODYING

Application connector chassis.

Optional

09421 Additional spare wiring

POWER TAKE-OFF (PTO)

Optional

16148 PTO types and positions

24V POWER SUPPLY

Alternator 130 A, batteries 2x 140 Ah..

Optional

08775 Alternator 150 A
08797 Batteries 2x175Ah
07671 Batteries 2x210Ah AGM C-type
06440 Batteries 2x230Ah

GVM AND GCM

Chassis weight related technical GVM max 42000 kg; Driveline related max GCM 38000 kg class 2.

Optional

00209 Driveline related max GCM 40000 kg class 3
07279 Driveline related max GCM 60000 kg class 2
03673 Driveline related max GCM 44000 kg class 2
00818 Driveline related max GCM 60000 kg class 3
03675 Driveline related max GCM 50000 kg class 3
00157 Driveline related max GCM 61000 kg class 2
00778 Driveline related max GCM 58000 kg class 2

APPLICATION CONDITIONS

Air intake front.

Optional

02260 Extra cab insulation
06614 Anti-dust blow-up shield
03648 Cyclonic air intake high
06620 Anti-dust blow-up shield + bugscreen

SERVICE AND MAINTENANCE

Standard Warranty takes care of 1 year complete vehicle as supplied by the OEM (excl. real wear parts), 2nd year driveline and 1st year breakdown.; ITS service.

Optional

08311 Service interval extended

VEHICLE DELIVERY

Minimum toolkit.

Optional

07569 Lifting jack

OPTION PACKAGES

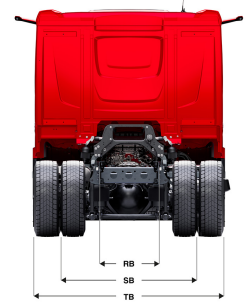
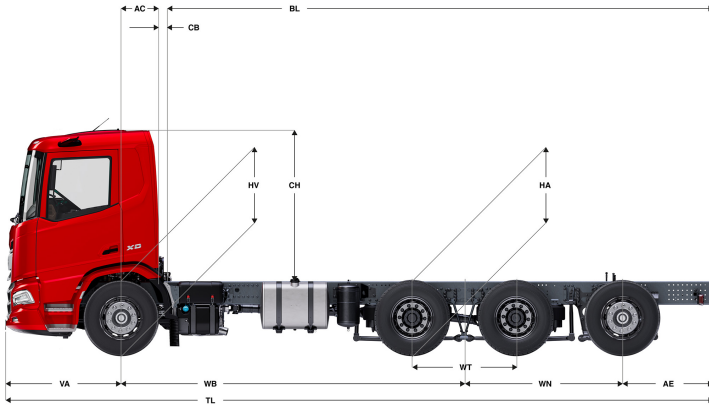
Optional

17448 Safety pack
17595 Executive Pack XD/XF

Go to [DAF.com](https://www.daf.com) to configure your own perfect DAF.

XD 370

FAW 8X4 Rigid



	Wheelbase - AE		Unladen weight ⁹⁾			Gross Carrying Capacity			Variable dimensions									
	WB	AE ⁵⁾	Front	Rear	Total	Front	Rear	Total	AC	CB ⁶⁾	CH	BL ⁷⁾	BL	TL	HA ⁸⁾	HA ⁹⁾	TK ¹⁰⁾	TW ¹¹⁾
DAY CAB	4,05	1,20	4894	4843	9737	3106	18156	21263	0,50	0,07	2,01	6,50	6,50	8,89	1,04	1,02	14,14	15,54
	4,30	2,05	4751	4860	9611	3249	18140	21389	0,50	0,07	2,01	6,84	6,84	9,99	1,04	1,01	14,79	16,20
	4,55	2,05	4808	4931	9739	3192	18068	21261	0,50	0,07	2,01	7,25	7,25	10,24	1,04	1,01	15,44	16,86
	4,90	2,05	4823	4972	9795	3177	18027	21204	0,50	0,07	2,01	7,84	7,84	10,59	1,04	1,01	16,35	17,79
	5,55	2,05	4995	5264	10259	3005	17736	20741	0,50	0,07	2,01	8,95	8,95	11,24	1,03	1,02	18,05	19,50
SLEEPER CAB	4,05	1,20	4995	4846	9842	3005	18153	21158	0,83	0,07	2,01	5,88	5,88	8,89	1,04	1,01	14,14	15,54
	4,30	2,05	4854	4862	9716	3146	18137	21283	0,83	0,07	2,01	6,22	6,22	9,99	1,04	1,01	14,79	16,20
	4,55	2,05	4911	4934	9845	3089	18066	21155	0,83	0,07	2,01	6,65	6,65	10,24	1,04	1,01	15,44	16,86
	4,90	2,05	4926	4975	9901	3074	18025	21098	0,83	0,07	2,01	7,22	7,22	10,59	1,04	1,01	16,35	17,79
	5,55	2,05	5098	5266	10364	2902	17733	20635	0,83	0,07	2,01	8,34	8,34	11,24	1,03	1,02	18,05	19,50
SLEEPER HIGH CAB	4,05	1,20	5026	4846	9872	2974	18154	21128	0,83	0,07	2,49	5,90	5,90	8,89	1,04	1,01	14,14	15,54
	4,30	2,05	4884	4862	9746	3116	18138	21254	0,83	0,07	2,49	6,24	6,24	9,99	1,04	1,01	14,79	16,20
	4,55	2,05	4941	4933	9874	3059	18066	21125	0,83	0,07	2,49	6,66	6,66	10,24	1,04	1,01	15,44	16,86
	4,90	2,05	4957	4974	9931	3043	18025	21069	0,83	0,07	2,49	7,24	7,24	10,59	1,04	1,01	16,35	17,79
	5,55	2,05	5128	5266	10394	2872	17734	20606	0,83	0,07	2,49	8,38	8,38	11,24	1,03	1,02	18,05	19,50

OTHER DIMENSIONS VA: 1,53 WT: 1,40 WN: 2,11 HV¹²⁾: 1,02 HV¹³⁾: 0,96 RB: 0,79 SB: 1,82 TB¹⁴⁾: 2,48

1) GVM in conformity with registration documents.
 2) GCM in conformity with registration documents.
 3) Axle load with standard tyre size.
 4) Chassis and cab weight calculated with: Standard specification items only with 340 litres of fuel, 45 litres of AdBlue® and driver of 90 kg, tolerance ± 3%. Changing of the specification can have major impact on vehicle weight.
 5) Other AE dimensions may be available for shown WB. Modify rear overhang to the calculated body length.
 6) CB is based on standard air intake and/or exhaust.
 7) Calculate customer specific body length with TOPEC. Body lengths shown based on evenly distributed load at max axle load.

8) Unladen height at centre of driven axle(s).
 9) Laden height at centre of driven axle(s).
 10) TK = turning circle between kerbs.
 11) TW = turning circle between walls.
 12) Unladen height at centre of front axle(s).
 13) Laden height at centre of front axle(s).
 14) TB is overall width at rear. (At centre of front axle 255).

Depending on the vehicle configuration a specific option may not be possible. The availability and specification of this vehicle may differ per country. For further information please contact the DAF organisation. Pictures and technical illustrations are not binding in detail and can differ from the standard specification. Subject to modification without prior notice.