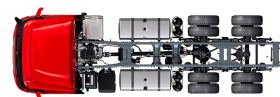


Specification sheet

XD 300

FAS 6X2 Rigid, double mounted trailing axle



ENGINES

- XD NewGen 300 MX-11 (220 kW / 299 hp)
- XD NewGen 340 MX-11 (251 kW / 341 hp)
- XD NewGen 370 MX-11 (270 kW / 367 hp)
- XD NewGen 410 MX-11 (300 kW / 408 hp)
- XD NewGen 450 MX-11 (330 kW / 449 hp)

GVM¹⁾

- 26000 kg
- Max. front 8000 kg
- Max. rear 19000 kg

GCM²⁾

- 38000 kg

016F0121AAAA - 202513C - 06-12-2024

DAF Trucks Ltd, UK, Haddenham, HP17 8LJ, www.daf.co.uk

CAB EXTERIOR

Luxurious Day Cab with unrivalled aerodynamics for fuel efficient driving and low CO2 emissions. The huge and deep frontscreen, curved at the sides combined with large side windows offer an unsurpassed direct view for the driver, to enhance road safety. Cab length: 2030 mm; cab width: 2500 mm. Number of cab entrance steps: 2.; Cab suspension mechanical; LED head lights; DAF Corner View.

Optional

07018 Sleeper Cab	01836 LED Skylights
06244 Sleeper High Cab	00949 LED Skylights; aux. LED lights on cab rf, prepared
02889 Chassis front execution: no bottom plate	01925 Two LED work lamps for cab rear wall
02952 Chassis front execution: bottom plate aero	01891 Hazard beacons on cab front, prepared
03353 Chassis front execution: protruding	06629 Two hazard beacon lights
07586 Chassis front execution: robust	03232 Front windscreen with solar control foil
01226 Cab suspension air	03317 Rear window: double glass
03358 External sun visor	07343 Kerb view window co-driver door
03922 Fog lights front	01362 DAF Digital Vision System
00936 Auxiliary LED lights on cab roof, prepared	

AERODYNAMICS

Optional

03846 No roof air deflector	02662 Adj. roof air defl. long mid XD Sleeper High Cab
00008 Adj. roof air deflector short Sleeper High Cab	00097 Adj. roof air deflector for Sleeper Cab
00124 Adj. rf air defl.long mid >4m(!) Sleeper High Cab	00020 Adj. roof air deflector long low Sleeper High Cab
01538 Adj. roof air defl. long high >4m(!) Sleeper High	

COLOURS

Cab colour E1980 Crystal White; Chassis colour grey.; Colour of bumper: Crystal White.

CAB INTERIOR

Cab interior trim colour: Luxury; Dashboard finish: Vision; Cab interior decoration: Hexagon; Driver seat: Comfort Air; Co-driver seat: cinema with fabric cover; No dashboard table; Storage compartment in centre; Automatic Temperature Control and airco; No auxiliary cab heater.

Optional

02354 Steering wheel with silver accents	02117 Third seat
02355 Steering wheel, leather	02837 Dashboard table
02353 Cab interior decoration: Argenta	03948 Single drawer
02350 Cab interior decoration: Natura	03954 Refrigerator
07733 Driver seat: Luxury Air	02838 Foam mattress for lower bunk
07736 Driver seat: Super Air	02854 Xtra Comfort mattress for lower bunk
07737 Driver seat: Xtra Leather Air	01775 Xtra Comfort mattress with topper for lower bunk
09541 Arm rest driver seat	06970 Automatic Cab Climate Control
01740 Arm rest at both sides of the driver seat	

COMMUNICATION AND DRIVING MANAGEMENT

PACCAR Connect; Tachograph digital, Stoneridge 1C version G2V2; Speed limiter setting 85/90 km/h; DAF Infotainment Luxury with Luxury speakers; Adaptive Cruise Control with FCW and AEBS-3; Driver Performance Assistant.

Optional

09681 Preparation for Maut	03470 DAF Infotainment System: Exclusive, prepared
06211 DAF Infotainment System with FM/DAB/DAB+ radio	01915 DAF Infotainment System: Luxury Plus

SAFETY AND SECURITY

Lane Departure Warning System; Vehicle Stability Control (VSC); Basic engine immobiliser system; No EC-ADR packages; DAF Side & Turn Assist.

Optional

08631 Air bag (driver) and 2 seat belt tensioners	00795 Safety regulations EC ADR
06410 Safe Load Pass preparation	

SUSPENSION AND AXLES

Front: 8.00 t, parabolic, 163N; Rear axle load 13.00 t; Rear: 20.00 t, air suspension, SR1344; Trailing axle load 10.0t; Lifting device.

Optional

06257 Front axle load 9.00 t	04057 Rear axle HR1356
06095 Front axle load 10.00 t	04588 Rear axle SR1347
04647 Front springs air	08191 Axle load monitoring

WHEELS AND TYRES

Driven rear axle(s): 315/70R22.5; F1,315/70R22.5GO FMXSE 156/150 L Steering BBA 3P; R1,315/70R22.5GO FMXDE 154/150 L Traction BBA 3P; R2,315/70R22.5GO FMXSE 156/150 L Steering BBA 3P.

Optional

16152 Tyre makes and types

DRIVELINE

Engine MX-11, multi torque 6 cylinder diesel engine, 10.8 litres. Output 220 kW (299 hp) at 1600 rpm. Max. torque 1450 Nm at 900-1400 rpm.; Exhaust emission Euro 6; Eco fuel; 12-speed TraXon 12TX1810 OD, 12.92-0.77; Gearbox ratio 12.92-0.77; Rear axle ratio 3.08.

Optional

07110 Eco performance	08371 Long Combination Vehicle (LCV)
02313 Gearbox direct drive	09638 Off-road applications
01514 Urge-to-move	01498 Off-road applications with Rock-free function
07101 Standard transport, Lite version	02843 Mechanical differential lock
09637 Liquid transport	

BRAKE SYSTEM

Exhaust brake; Ventilated disc brakes front and rear. Dual circuit air system with electronic control (EBS).Engine driven, water cooled air compressor with automatic air heated dryer..

Optional

09921 MX Engine Brake	01497 Park brake control pneumatic with spoken warning
02715 ZF Intarder	04901 Spring brake cylinders on the first front axle
01572 Park brake control electro-pneumatic	00929 Driven rear axle with drum brakes

CHASSIS

Wheelbase 4.60 m / rear overhang 2.75 m; Side member height 260 mm; Standard component location; 340 l alu fuel tank LH, height 620 mm; Tank for AdBlue® 45 l, left-hand side chassis; Front underrun protection (FUP); Spray suppression.

Optional

02601 Side member height 310 mm	07071 Spare wheel carrier right-hand side
16157 Fuel tanks, material and sizes	03323 Rear light with LEDs

DRAWBAR AND TRAILER EQUIPMENT

Closing member D-value = 0kN.

Optional

07033 Trailer coupling Ringfeder D=13.7	08027 Trailer coupling Rockinger D=20.0
07034 Trailer coupling Ringfeder D=20.0	04659 Trailer cable EBS
08026 Trailer coupling Rockinger D=13.0	

BODIES AND PREPARATIONS FOR BODYING

Application connector chassis.

Optional

09421 Additional spare wiring	08121 Tail lift application
--------------------------------------	------------------------------------

POWER TAKE-OFF (PTO)

Optional

16148 PTO types and positions

24V POWER SUPPLY

Alternator 110 A, batteries 2x 140 Ah..

Optional

04492 Alternator 130 A	07671 Batteries 2x210Ah AGM C-type
08775 Alternator 150 A	06440 Batteries 2x230Ah
08797 Batteries 2x175Ah	

GVM AND GCM

Chassis weight related technical GVM max 27000 kg; Driveline related max GCM 38000 kg class 2.

Optional

00209 Driveline related max GCM 40000 kg class 3	00939 Driveline related max GCM 56000 kg class 2
03673 Driveline related max GCM 44000 kg class 2	00818 Driveline related max GCM 60000 kg class 3
03675 Driveline related max GCM 50000 kg class 3	

APPLICATION CONDITIONS

Air intake front.

Optional

02260 Extra cab insulation	06614 Anti-dust blow-up shield
03648 Cyclonic air intake high	06620 Anti-dust blow-up shield + bugscreen

SERVICE AND MAINTENANCE

Standard Warranty takes care of 1 year complete vehicle as supplied by the OEM (excl. real wear parts), 2nd year driveline and 1st year breakdown.; ITS service.

Optional

08311 Service interval extended
--

VEHICLE DELIVERY

Minimum toolkit.

Optional

07569 Lifting jack

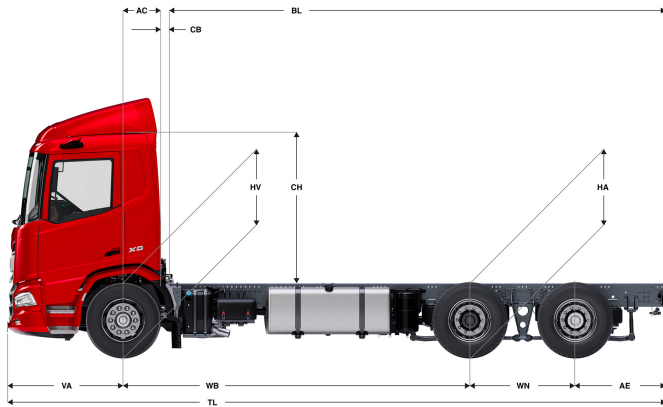
OPTION PACKAGES

Optional

17448 Safety pack	17595 Executive Pack XD/XF
--------------------------	-----------------------------------

XD 300

FAS 6X2 Rigid, double mounted trailing axle



	Wheelbase - AE		Unladen weight ⁹⁾			Gross Carrying Capacity			Variable dimensions									
	WB	AE ⁵⁾	Front	Rear	Total	Front	Rear	Total	AC	CB ⁶⁾	CH	BL ⁷⁾	BL	TL	HA ⁸⁾	HA ⁹⁾	TK ¹⁰⁾	TW ¹¹⁾
DAY CAB	3,80	2,05	5009	3091	8100	2991	15909	17900	0,50	0,07	2,77	6,17	6,17	8,78	1,02	0,99	14,93	16,34
	4,20	2,40	5001	3189	8190	2999	15811	17810	0,50	0,07	2,77	6,83	6,83	9,53	1,02	0,99	15,97	17,40
	4,40	2,55	5006	3254	8260	2994	15746	17740	0,50	0,07	2,77	7,15	7,15	9,88	1,02	0,99	16,49	17,92
	4,60	2,75	4984	3249	8233	3016	15751	17767	0,50	0,07	2,82	7,48	7,48	10,28	0,97	0,94	17,01	18,45
	4,80	2,90	4965	3277	8241	3035	15723	17759	0,50	0,07	2,82	7,80	7,80	10,63	0,97	0,94	17,53	18,98
	5,05	2,90	4968	3292	8260	3032	15708	17740	0,50	0,07	2,82	8,23	8,23	10,88	0,97	0,94	18,19	19,64
	5,30	2,90	4976	3309	8285	3024	15691	17715	0,50	0,07	2,82	8,64	8,64	11,13	0,97	0,94	18,84	20,30
5,60	2,85	5023	3400	8424	2977	15600	17576	0,50	0,07	2,77	9,16	9,16	11,38	1,02	0,99	19,63	21,10	
5,90	2,80	5036	3412	8449	2964	15588	17551	0,50	0,07	2,77	9,67	9,67	11,63	1,02	1,00	20,41	21,89	
SLEEPER CAB	WB	AE ⁵⁾	Front	Rear	Total	Front	Rear	Total	AC	CB ⁶⁾	CH	BL ⁷⁾	BL	TL	HA ⁸⁾	HA ⁹⁾	TK ¹⁰⁾	TW ¹¹⁾
	4,20	2,40	5125	3192	8318	2875	15808	17682	0,83	0,07	2,77	6,21	6,21	9,53	1,02	0,99	15,97	17,40
	4,40	2,55	5130	3257	8388	2870	15743	17612	0,83	0,07	2,77	6,55	6,55	9,88	1,02	0,99	16,49	17,92
	4,60	2,75	5108	3252	8360	2892	15748	17640	0,83	0,07	2,82	6,88	6,88	10,28	0,97	0,94	17,01	18,45
	4,80	2,90	5089	3280	8369	2911	15720	17631	0,83	0,07	2,82	7,21	7,21	10,63	0,97	0,94	17,53	18,98
	5,05	2,90	5093	3295	8388	2907	15705	17612	0,83	0,07	2,82	7,63	7,63	10,88	0,97	0,94	18,19	19,64
	5,30	2,90	5101	3312	8413	2899	15688	17587	0,83	0,07	2,82	8,05	8,05	11,13	0,97	0,94	18,84	20,30
5,60	2,85	5148	3403	8552	2852	15597	17448	0,83	0,07	2,77	8,56	8,56	11,38	1,02	0,99	19,62	21,10	
5,90	2,80	5161	3415	8577	2839	15585	17423	0,83	0,07	2,77	9,08	9,08	11,63	1,02	0,99	20,41	21,89	
SLEEPER HIGH CAB	WB	AE ⁵⁾	Front	Rear	Total	Front	Rear	Total	AC	CB ⁶⁾	CH	BL ⁷⁾	BL	TL	HA ⁸⁾	HA ⁹⁾	TK ¹⁰⁾	TW ¹¹⁾
	4,20	2,40	5095	3188	8282	2905	15812	17718	0,83	0,07	2,63	6,20	6,20	9,53	1,02	0,99	15,97	17,40
	4,40	2,55	5099	3253	8352	2901	15747	17648	0,83	0,07	2,63	6,53	6,53	9,88	1,02	0,99	16,49	17,92
	4,60	2,75	5077	3248	8325	2923	15752	17675	0,83	0,07	2,68	6,87	6,87	10,28	0,97	0,94	17,01	18,45
	4,80	2,90	5058	3275	8334	2942	15725	17666	0,83	0,07	2,68	7,19	7,19	10,63	0,97	0,94	17,53	18,98
	5,05	2,90	5062	3291	8353	2938	15709	17647	0,83	0,07	2,68	7,61	7,61	10,88	0,97	0,94	18,19	19,64
	5,30	2,90	5070	3307	8377	2930	15693	17623	0,83	0,07	2,68	8,03	8,03	11,13	0,97	0,94	18,84	20,30
5,60	2,85	5118	3399	8516	2882	15601	17484	0,83	0,07	2,63	8,55	8,55	11,38	1,02	0,99	19,63	21,10	
5,90	2,80	5131	3410	8541	2869	15590	17459	0,83	0,07	2,63	9,06	9,06	11,63	1,02	0,99	20,41	21,89	

OTHER DIMENSIONS VA: 1,53 WN: 1,40 HV¹²⁾: 0,97 HV¹³⁾: 0,93 RB: 0,79 SB: 1,82 TB¹⁴⁾: 2,48

- GVM in conformity with registration documents.
- GCM in conformity with registration documents.
- Axle load with standard tyre size.
- Chassis and cab weight calculated with: Standard specification items only with 340 litres of fuel, 45 litres of AdBlue® and driver of 90 kg, tolerance ± 3%. Changing of the specification can have major impact on vehicle weight.
- Other AE dimensions may be available for shown WB. Modify rear overhang to the calculated body length.
- CB is based on standard air intake and/or exhaust.
- Calculate customer specific body length with TOPEC. Body lengths shown based on evenly distributed load at max axle load.

- Unladen height at centre of driven axle (trailing axle down).
- Laden height at centre of driven axle(s).
- TK = turning circle between kerbs.
- TW = turning circle between walls.
- Unladen height at centre of front axle(s).
- Laden height at centre of front axle(s).
- TB is overall width at rear. (At centre of front axle 255).

Depending on the vehicle configuration a specific option may not be possible. The availability and specification of this vehicle may differ per country. For further information please contact the DAF organisation. Pictures and technical illustrations are not binding in detail and can differ from the standard specification. Subject to modification without prior notice.