

Specification sheet

XD 370

FTT 6X4 Tractor



ENGINES

XD NewGen 370 MX-11 (270 kW / 367 hp)

XD NewGen 410 MX-11 (300 kW / 408 hp)

XD NewGen 450 MX-11 (330 kW / 449 hp)

GVM¹⁾

26000 kg

Max. front 8000 kg

Max. rear 19000 kg

GCM²⁾

44000 kg

016GG0141AAAA - 202437D - 28-05-2024

DAF Trucks Ltd, UK, Haddenham, HP17 8LJ, www.daf.co.uk

OPTION PACKAGES

Optional

17448 Safety pack 17595 Executive Pack XD/XF

CAB EXTERIOR

Luxurious Sleeper Cab with unrivalled aerodynamics for fuel efficient driving and low CO2 emissions. The huge and deep frontscreen, curved at the sides combined with large side windows offer an unsurpassed direct view for the driver, to enhance road safety. The cab interior is extremely comfortable for driving, living and sleeping with unprecedented spaciousness and practical layout. Cab length: 2360 mm; cab width: 2500 mm. Number of cab steps: 2.; Cab suspension mechanical; LED head lights; DAF Corner View.

Optional

07017 Day Cab 00936 Auxiliary LED lights on cab roof, prepared
06244 Sleeper High Cab 01836 LED Skylights
02889 Chassis front execution: no bottom plate 00949 LED Skylights; aux. LED lights on cab rf, prepared
02952 Chassis front execution: bottom plate aero 01925 Two LED work lamps for cab rear wall
03353 Chassis front execution: protruding 01891 Hazard beacons on cab front, prepared
07586 Chassis front execution: robust 06629 Two hazard beacon lights
01226 Cab suspension air 03232 Front windscreen with solar control foil
03358 External sun visor 03317 Rear window: double glass
06790 Aluminium ladder 1-piece 07343 Kerb view window co-driver door
06791 Aluminium ladder 2-piece 01362 DAF Digital Vision System
03922 Fog lights front

AERODYNAMICS

Optional

00010 Adj. roof air deflector short Sleeper High Cab 00118 Adj. roof air deflector for Sleeper Cab
00138 Adj. rf air defl.long mid >4m(!) Sleeper High Cab 00021 Adj. roof air deflector long low Sleeper High Cab
01552 Adj. roof air defl. long high >4m(!) Sleeper High 04906 Side collars, one side hinged
02665 Adj. roof air defl. long mid XD Sleeper High Cab 03074 Side collars, both sides hinged
00094 Adj. roof air deflector for Day Cab

COLOURS

Cab colour E1980 Crystal White; Chassis colour grey.; Colour of bumper: Crystal White.

CAB INTERIOR

Cab interior trim colour: Luxury; Dashboard finish: Vision; Cab interior decoration: Hexagon; Driver seat: Comfort Air; Co-driver seat: cinema with fabric cover; Dashboard table; Storage compartment in centre; Automatic Temperature Control and aircoc; Residual heat pump.

Optional

02353 Cab interior decoration: Argenta 03948 Single drawer
02350 Cab interior decoration: Natura 03954 Refrigerator
07733 Driver seat: Luxury Air 02854 Xtra Comfort mattress for lower bunk
07736 Driver seat: Super Air 01775 Xtra Comfort mattress with topper for lower bunk
07737 Driver seat: Xtra Leather Air 01177 Luggage carrier
09541 Arm rest driver seat 01066 Upper bunk
01740 Arm rest at both sides of the driver seat 06970 Automatic Cab Climate Control
02117 Third seat
02834 No dashboard table

COMMUNICATION AND DRIVING MANAGEMENT

PACCAR Connect; Tachograph digital, Stoneridge 1C version G2V2; Speed limiter setting 85/90 km/h; DAF Infotainment Luxury with Luxury speakers; Adaptive Cruise Control with FCW and AEBS-3.

Optional

09681 Preparation for Maut 01915 DAF Infotainment System: Luxury Plus
06211 DAF Infotainment System with FM/DAB/DAB+ radio 16155 Audio equipment, makes and types
03470 DAF Infotainment System: Exclusive, prepared 06991 Predictive Cruise Control

SAFETY AND SECURITY

Lane Departure Warning System; Vehicle Stability Control (VSC); Basic engine immobiliser system; DAF Side & Turn Assist.

Optional

08631 Air bag (driver) and 2 seat belt tensioners 00795 Safety regulations EC ADR
02178 Main switch with second control in the cab

SUSPENSION AND AXLES

Front: 8.00 t, parabolic, 163N; Rear axle load 10.50+10.50 t; Rear: 21.00 t, air suspension, HR1670T; No lifting device.

Optional

06257 Front axle load 9.00 t 04563 Rear axle load 13.00+13.00 t
02788 Rear axle SR1360T
01601 Rear springs trapezium 08191 Axle load monitoring

WHEELS AND TYRES

Driven rear axle(s): 315/70R22.5; F1,315/70R22.5GO FMXSE 156/150 L Steering BBA 3P; R1,315/70R22.5GO FMXDE 154/150 L Traction BBA 3P.

Optional

16152 Tyre makes and types

DRIVELINE

Engine MX-11, multi torque 6 cylinder diesel engine, 10.8 litres. Output 270 kW (367 hp) at 1600 rpm. Maximum torque 1950 Nm at 900-1125 rpm.; Exhaust emission Euro 6; Eco fuel; 12-speed TraXon 12TX2610 OD, 12.92-0.77; Gearbox ratio 12.92-0.77; Rear axle ratio 3.61; ASR.

Optional

07110 Eco performance 09637 Liquid transport
02313 Gearbox direct drive 09638 Off-road applications
01514 Urge-to-move 01498 Off-road applications with Rock-free function

BRAKE SYSTEM

MX Engine Brake; Ventilated disc brakes at front, rear tandem axle with drum brakes. Dual circuit air system with electronic control (EBS)..

Optional

- | | | | |
|-------|--------------------|-------|--|
| 09920 | No MX Engine Brake | 01572 | Park brake control electro-pneumatic |
| 02715 | ZF Intarder | 01497 | Park brake control pneumatic with spoken warning |

CHASSIS

Wheelbase 3.90 m / rear overhang 1.65 m; Side member height 310 mm; 430 l alu fuel tank LH, height 620 mm; Tank for AdBlue® 40 l, on left-hand mudguard; Front underrun protection (FUP); Catwalk with step; Rear mudguards; Spray suppression; Work lamp LED.

Optional

- | | | | |
|-------|--------------------------------|-------|----------------------|
| 16157 | Fuel tanks, material and sizes | 03323 | Rear light with LEDs |
|-------|--------------------------------|-------|----------------------|

DRAWBAR AND TRAILER EQUIPMENT

JOST JSK36DV pressed steel 205+40mm; Pneumatic trailer connection C-type; Electric connection 24 V / 2x7 pins.

Optional

- | | | | |
|-------|--------------------|-------|-----------------------------|
| 03178 | Towing hook D= 4.3 | 16151 | 5th wheel makes and heights |
|-------|--------------------|-------|-----------------------------|

BODIES AND PREPARATIONS FOR BODYING

Optional

- | | | | |
|-------|-------------------------------|-------|---------------------------|
| 02811 | Tail lift connection Anderson | 02812 | Tail lift connection REMA |
|-------|-------------------------------|-------|---------------------------|

POWER TAKE-OFF (PTO)

Optional

- 16148 PTO types and positions

24V POWER SUPPLY

Alternator 110 A, batteries 2x 175 Ah..

Optional

- | | | | |
|-------|-------------------|-------|------------------------------|
| 04492 | Alternator 130 A | 07671 | Batteries 2x210Ah AGM C-type |
| 08775 | Alternator 150 A | 06440 | Batteries 2x230Ah |
| 01257 | Batteries 2x140Ah | | |

GVM AND GCM

Chassis weight related technical GVM max 27000 kg; Driveline related max GCM 44000 kg class 2.

APPLICATION CONDITIONS

Air intake front.

Optional

- | | | | |
|-------|--------------------------|-------|--------------------------|
| 02260 | Extra cab insulation | 06614 | Anti-dust blow-up shield |
| 03648 | Cyclonic air intake high | | |

SERVICE AND MAINTENANCE

Standard Warranty takes care of 1 year complete vehicle as supplied by the OEM (excl. real wear parts), 2nd year driveline and 1st year breakdown.; ITS service.

Optional

- 08311 Service interval extended

VEHICLE DELIVERY

Minimum toolkit.

Optional

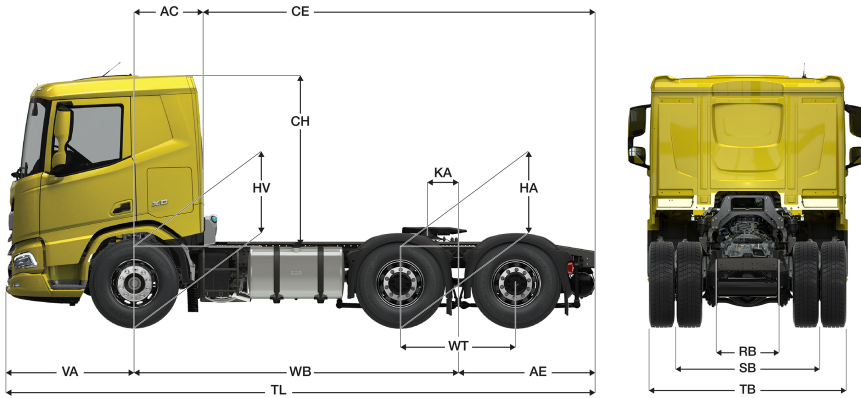
- 07569 Lifting jack



Go to [DAF.com](https://www.daf.com) to configure your own perfect DAF.

XD 370

FTT 6X4 Tractor



	Wheelbase - AE		Unladen weight ¹⁾			Gross Carrying Capacity			Variable dimensions								
	WB	AE ⁵⁾	Front	Rear	Total	Front	Rear	Total	AC	CE	CH	KA ⁶⁾	TL	HA ⁷⁾	HA ⁸⁾	TK ⁹⁾	TW ¹⁰⁾
DAY CAB	3,90	1,65	4921	4451	9372	3079	14549	16628	0,50	5,05	2,01	0,37	7,08	1,03	1,00	13,76	15,14
SLEEPER CAB	3,90	1,65	4966	4361	9327	3034	14639	16673	0,83	4,72	2,01	0,37	7,08	1,03	1,00	13,76	15,14
	4,55	1,65	4995	4433	9427	3005	14567	16573	0,83	5,37	2,01	0,37	7,73	1,03	1,01	15,44	16,86
SLEEPER HIGH CAB	3,90	1,65	4996	4360	9356	3004	14640	16644	0,83	4,72	2,49	0,37	7,08	1,03	1,01	13,76	15,14
	4,55	1,65	5025	4432	9457	2975	14568	16543	0,83	5,37	2,49	0,37	7,73	1,03	1,01	15,44	16,86

OTHER DIMENSIONS	VA: 1,53	WT: 1,40	HV ¹¹⁾ : 1,02	HV ¹²⁾ : 0,94	RB: 0,79	SB: 1,82	TB ¹³⁾ : 2,48
------------------	----------	----------	--------------------------	--------------------------	----------	----------	--------------------------

1) GVM in conformity with registration documents.
 2) GCM in conformity with registration documents.
 3) Axle load with standard tyre size.
 4) Chassis and cab weight calculated with: Standard specification items only with 430 litres of fuel, 40 litres of AdBlue® and driver of 90 kg, tolerance ± 3%. Changing of the specification can have major impact on vehicle weight.
 5) Other AE dimensions may be available for shown WB.
 6) Calculate customer specific KA with TOPEC.

7) Unladen height at centre of driven axle(s).
 8) Laden height at centre of driven axle(s).
 9) TK = turning circle between kerbs.
 10) TW = turning circle between walls.
 11) Unladen height at centre of front axle(s).
 12) Laden height at centre of front axle(s).
 13) TB is overall width at rear. (At centre of front axle 255).

Depending on the vehicle configuration a specific option may not be possible. The availability and specification of this vehicle may differ per country. For further information please contact the DAF organisation. Pictures and technical illustrations are not binding in detail and can differ from the standard specification. Subject to modification without prior notice.