

Specification sheet

XD 230

FA 4X2 Rigid, 19t Chassis/Body



XD

ENGINES

XD NewGen 230 PX-7 (167 kW / 227 hp)
XD NewGen 260 PX-7 (189 kW / 257 hp)
XD NewGen 290 PX-7 (212 kW / 287 hp)
XD NewGen 310 PX-7 (227 kW / 308 hp)

GVM¹⁾

18000 kg
Max. front 8000 kg
Max. rear 11500 kg

GCM²⁾

19000 kg

OPTION PACKAGES

Optional

17595 Executive Pack XD/XF

CAB EXTERIOR

Luxurious Day Cab with unrivalled aerodynamics for fuel efficient driving and low CO2 emissions. The huge and deep frontscreen, curved at the sides combined with large side windows offer an unsurpassed direct view for the driver, to enhance road safety. Cab length: 2030 mm; cab width: 2500 mm. Number of cab entrance steps: 2.; Cab suspension mechanical; LED head lights; DAF Corner View.

Optional

07018	Sleeper Cab	01925	Two LED work lamps for cab rear wall
06244	Sleeper High Cab	01891	Hazard beacons on cab front, prepared
01226	Cab suspension air	06629	Two hazard beacon lights
03358	External sun visor	03232	Front windscreen with solar control foil
03922	Fog lights front	03317	Rear window: double glass
00936	Auxiliary LED lights on cab roof, prepared	07343	Kerb view window co-driver door
01836	LED Skylights	01362	DAF Digital Vision System
00949	LED Skylights; aux. LED lights on cab rf, prepared		

AERODYNAMICS

Optional

00008	Adj. roof air deflector short Sleeper High Cab	00082	Adj. roof air deflector for Day Cab
00124	Adj. rf air defl.long mid >4m(!) Sleeper High Cab	00097	Adj. roof air deflector for Sleeper Cab
01538	Adj. roof air defl. long high >4m(!) Sleeper High	00020	Adj. roof air deflector long low Sleeper High Cab
02662	Adj. roof air defl. long mid XD Sleeper High Cab		

COLOURS

Cab colour E1980 Crystal White; Chassis colour grey.; Colour of bumper: Crystal White.

CAB INTERIOR

Cab interior trim colour: Luxury; Dashboard finish: Vision; Cab interior decoration: Hexagon; Driver seat: Comfort Air; Co-driver seat: cinema with fabric cover; No dashboard table; Storage compartment in centre; Automatic Temperature Control and airco; No auxiliary cab heater.

Optional

02354	Steering wheel with silver accents	02117	Third seat
02355	Steering wheel, leather	02837	Dashboard table
02353	Cab interior decoration: Argenta	03948	Single drawer
02350	Cab interior decoration: Natura	03954	Refrigerator
07733	Driver seat: Luxury Air	02838	Foam mattress for lower bunk
07736	Driver seat: Super Air	02854	Xtra Comfort mattress for lower bunk
07737	Driver seat: Xtra Leather Air	01775	Xtra Comfort mattress with topper for lower bunk
01740	Arm rest at both sides of the driver seat	06970	Automatic Cab Climate Control

COMMUNICATION AND DRIVING MANAGEMENT

PACCAR Connect; Tachograph digital, Stoneridge 1C version G2V2; Speed limiter setting 85 km/h nominal; DAF Infotainment Luxury with Luxury speakers; Adaptive Cruise Control with FCW and AEBS-3; Driver Performance Assistant.

Optional

09681	Preparation for Maut	00272	DAF infot. Exclusive prepared; Exclusive speakers
01171	DAF Infotainment System: DAB radio with speakers	01923	DAF Infotainment Luxury Plus; Exclusive speakers
01156	DAF Infotainment System: DAB radio+Luxury speakers	06211	DAF Infotainment System with FM/DAB/DAB+ radio
00146	DAF Infot. Exclusive prepared; Luxury speakers	03470	DAF Infotainment System: Exclusive, prepared
01916	DAF Infotainment Luxury Plus with Luxury speakers	01915	DAF Infotainment System: Luxury Plus
01158	DAF Infotainment Luxury with Exclusive speakers		

SAFETY AND SECURITY

Speed limit recognition; DAF drowsiness detection; Lane Departure Warning System; Vehicle Stability Control (VSC); Basic engine immobiliser system; No EC-ADR packages; Drive-off Assist; DAF Side & Turn Assist.

Optional

08631	Air bag (driver) and 2 seat belt tensioners	01929	No Drive-off Assist
02567	No Traffic Sign Assist	01952	No DAF Side/Turn Assist
02569	No Driver State Monitoring		

SUSPENSION AND AXLES

Front: 8.00 t, parabolic, 163N; Rear axle load 13.00 t; Rear: air suspension, SR1344; No lifting device.

Optional

04647	Front springs air
-------	-------------------

WHEELS AND TYRES

Driven rear axle(s): 315/70R22.5; Tyre pressure monitoring; F1,315/70R22.5GO FMXSE 156/150 L Steering BBA 3P; R1,315/70R22.5GO FMXDE 154/150 L Traction BBA 3P.

Optional

16152	Tyre makes and types
-------	----------------------

DRIVELINE

Engine PX-7, 6 cylinder diesel engine, 6.7 litres. Output 167 kW (227 hp) at 1900 rpm. Max. torque 890 Nm at 1000-1700 rpm.; Exhaust emission Euro 6; 8-speed PowerLine 8AP1000 overdrive, 4.89-0.64; Gearbox ratio 4.89-0.64; Rear axle ratio 5.57.

BRAKE SYSTEM

Exhaust brake; Ventilated disc brakes front and rear. Dual circuit air system with electronic control (EBS).Engine driven, water cooled air compressor with automatic air heated dryer.

Optional

02861	PX Engine Brake	01497	Park brake control pneumatic with spoken warning
-------	-----------------	-------	--

CHASSIS

Wheelbase 6.10 m / rear overhang 2.44 m; Side member height 310 mm; Standard component location; 340 l alu fuel tank LH, height 620 mm; Tank for AdBlue® 30 l, right-hand side chassis; Spray suppression.

Optional

- 16157** Fuel tanks, material and sizes
03323 Rear light with LEDs
07071 Spare wheel carrier right-hand side

DRAWBAR AND TRAILER EQUIPMENT

Closing member.

Optional

- 08026** Trailer coupling Rockinger D=13.0
04659 Trailer cable EBS

BODIES AND PREPARATIONS FOR BODYING

Application connector chassis.

Optional

- 09421** Additional spare wiring
08121 Tail lift application

POWER TAKE-OFF (PTO)

Optional

- 16148** PTO types and positions

24V POWER SUPPLY

Alternator 80 A, batteries 2x 140 Ah..

Optional

- 01897** Alternator 100 A
08797 Batteries 2x175Ah

GVM AND GCM

Chassis weight related technical GVM max 19000 kg; Driveline related max GCM 19000 kg.

APPLICATION CONDITIONS

Air intake front.

Optional

- 02260** Extra cab insulation
03648 Cyclonic air intake high

SERVICE AND MAINTENANCE

Standard Warranty takes care of 1 year complete vehicle as supplied by the OEM (excl. real wear parts), 2nd year driveline and 1st year breakdown.; ITS service.

VEHICLE DELIVERY

Minimum toolkit.

Optional

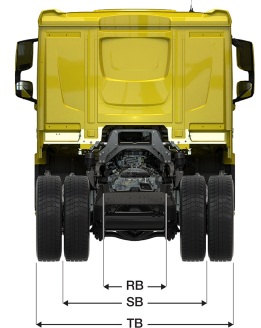
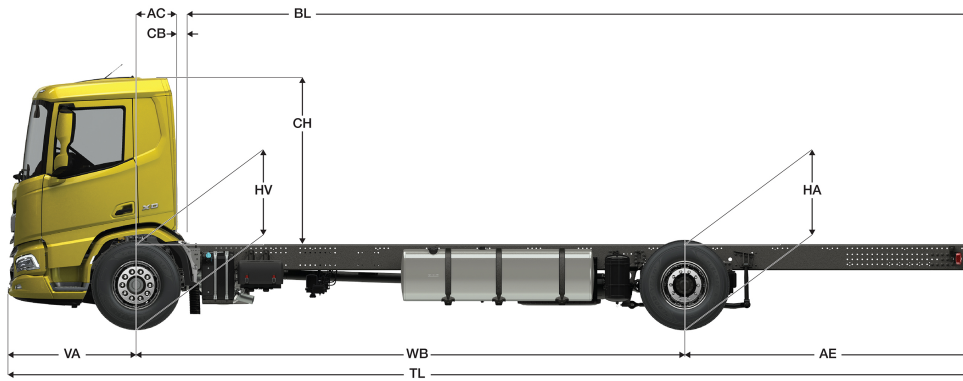
- 07569** Lifting jack



Go to [DAF.com](https://www.daf.com) to configure your own perfect DAF.

XD 230

FA 4X2 Rigid, 19t Chassis/Body



	Wheelbase - AE		Unladen weight ¹⁾			Gross Carrying Capacity			Variable dimensions									
	WB	AE ⁵⁾	Front	Rear	Total	Front	Rear	Total	AC	CB ⁶⁾	CH ⁷⁾	BL ⁸⁾	BL	TL	HA ⁹⁾	HA ¹⁰⁾	TK ¹¹⁾	TW ¹²⁾
DAY CAB	6,10	2,44	3887	2245	6131	4113	9255	11869	0,50	0,07	2,01	7,16	9,05	10,07	1,02	0,99	19,49	20,96
	6,60	2,55	3894	2279	6173	4106	9221	11827	0,50	0,07	2,01	7,85	9,88	10,68	1,02	0,99	20,80	22,28
	6,90	2,90	3874	2312	6186	4126	9188	11814	0,50	0,07	2,01	8,22	10,37	11,33	1,02	0,99	21,59	23,08
SLEEPER CAB	6,10	2,44	3992	2253	6245	4008	9247	11755	0,83	0,07	2,01	6,58	8,47	10,07	1,02	0,99	19,49	20,96
	6,60	2,55	4000	2287	6287	4000	9213	11713	0,83	0,07	2,01	7,25	9,32	10,68	1,02	0,99	20,80	22,28
	6,90	2,90	3995	2334	6329	4005	9166	11671	0,83	0,07	2,01	7,64	9,80	11,33	1,02	0,99	21,59	23,08
SLEEPER HIGH CAB	6,10	2,44	4021	2253	6274	3979	9247	11726	0,83	0,07	2,49	6,59	8,49	10,07	1,02	0,99	19,49	20,96
	6,60	2,55	4029	2287	6316	3971	9213	11684	0,83	0,07	2,49	7,28	9,35	10,68	1,02	0,99	20,80	22,28
	6,90	2,90	4024	2335	6359	3976	9165	11641	0,83	0,07	2,49	7,66	9,84	11,33	1,02	0,99	21,59	23,08

OTHER DIMENSIONS VA: 1,53 HV¹³⁾: 1,04 HV¹⁴⁾: 0,96 RB: 0,79 SB: 1,82 TB¹⁵⁾: 2,48

- GVM in conformity with registration documents.
- GCM in conformity with registration documents.
- Axle load with standard tyre size.
- Chassis and cab weight calculated with: Standard specification items only with 340 litres of fuel, 30 litres of AdBlue® and driver of 90 kg, tolerance ± 3%. Changing of the specification can have major impact on vehicle weight.
- Other AE dimensions may be available for shown WB. Modify rear overhang to the calculated body length.
- CB is based on standard air intake and/or exhaust.
- Cab height is measured from frame member to closed cabin roof hatch.
- Calculate customer specific body length with TOPEC. Body lengths shown based on evenly distributed load at max axle load.
- Unladen height at centre of driven axle(s).
- Laden height at centre of driven axle(s).
- TK = turning circle between kerbs.
- TW = turning circle between walls.
- Unladen height at centre of front axle(s).
- Laden height at centre of front axle(s).
- TB is overall width at rear. (At centre of front axle 255).

Depending on the vehicle configuration a specific option may not be possible. The availability and specification of this vehicle may differ per country. For further information please contact the DAF organisation. Pictures and technical illustrations are not binding in detail and can differ from the standard specification. Subject to modification without prior notice.