

Specification sheet

XB 230

FA 4X2 Rigid, 19t Chassis/Body



ENGINES

- XB NewGen 230 PX-7 (167 kW / 227 hp)
- XB NewGen 260 PX-7 (189 kW / 257 hp)
- XB NewGen 290 PX-7 (212 kW / 287 hp)
- XB NewGen 310 PX-7 (227 kW / 308 hp)

GVM¹⁾

- 18000 kg
- Max. front 7500 kg
- Max. rear 11500 kg

GCM²⁾

- 19000 kg

016F5803BAAA - 202437D - 28-05-2024

DAF Trucks Ltd, UK, Haddenham, HP17 8LJ, www.daf.co.uk

CAB EXTERIOR

Day Cab with steel bumper, tinted glass and electric window openers. Main mirrors and wide angle mirrors electrically heated. Cab width 2130 mm.; Electrically adjustable mirrors; Mirror brackets, body 2.50-2.60 m; Front view mirror; Rear view camera.

Optional

02576 Extended Day Cab	06629 Two hazard beacon lights
02106 Sleeper Cab	02083 Two hazard beacon lights LED
01605 Cab suspension mechanical reinforced	07343 Kerb view window co-driver door
09983 Fog lights	00915 Side no glass / rear single glass
09984 Fog lights and cornering lights	09101 Green tinted glass, heated

AERODYNAMICS

Optional

09286 Roof air deflector prepared	07092 Adjustable roof air deflector low (set)
06776 Adjustable roof air deflector	09287 Side collars prepared
07109 Adjustable roof air deflector high (set)	07112 Side collars long (set)

COLOURS

; Head lamp panel and bumper: Stone Grey; Lower step cover, cab steps and wing Stone Grey.; Chassis colour grey.; No body panels.

Optional

06485 Head lamp panel and bumper: cab colour	00617 Lower step cover, cab steps and wing in cab colour
00733 Lower step cab colour, cab steps and wing Grey	16153 Cab and chassis colours

CAB INTERIOR

Right-hand drive (RHD); Mechanically adjustable steering column; Driver seat: air suspended; Co-driver seat: fixed velour; Storage box on engine tunnel.

Optional

09271 Steering wheel, leather, colour black	04346 Lower bunk, normal level
03516 Pneumatically adjustable steering column	03703 Auxiliary cab heater Air Top 2000
00967 Seat belts red	04246 Roof hatch, manual control
16158 Seat types	04258 Roof hatch, electric control

COMMUNICATION AND DRIVING MANAGEMENT

FMS connector, prepared; Tachograph digital, Stoneridge 1C version G2V2; Driver Performance Assistant.

Optional

16155 Audio equipment, makes and types

SAFETY AND SECURITY

Speed limit recognition; DAF drowsiness detection; Drive-off Assist.

Optional

08631 Air bag (driver) and 2 seat belt tensioners	07414 Reverse warning with self-adjusting volume
01725 Reverse warning	16156 EC-ADR packages

SUSPENSION AND AXLES

Front axle type 152N, 100 mm vertical offset. Parabolic leaf suspension with shock absorbers and stabiliser. Max. load 7.5 tonnes.; Single reduction driven rear axle type SR1132 with parabolic leaf suspension, including shock absorbers and stabiliser. Max. load 11.5 tonnes..

Optional

06870 Rear: 11.50 t, air suspension, SR1132	01372 Rear springs air
03575 Rear: 13.00 t, air suspension, SR1344	01778 Rear axle load 13.00 t

WHEELS AND TYRES

Front axle(s): 295/80R22.5; Driven rear axle(s): 295/80R22.5; Goodyear; Wheel protection rings silvergrey.

Optional

06764 Wheel protection rings black	16152 Tyre makes and types
06766 Wheel protection rings chromium DAF	

DRIVELINE

Engine PX-7, 6 cylinder diesel engine, 6.7 litres. Output 167 kW (227 hp) at 1900 rpm. Max. torque 890 Nm at 1000-1700 rpm.; Exhaust emission Euro 6; Manual gearbox, 6 speeds; Gearbox ratio 6.75-0.78; Rear axle ratio 5.13.

Optional

04393 Manual gearbox, 9 speeds	02808 Rear axle ratio 4.56
07667 Automatic gearbox PowerLine, 8-speed	00743 Rear axle ratio 4.63
02313 Gearbox direct drive	02813 Rear axle ratio 5.14
03702 Rear axle ratio 3.70	03431 Rear axle ratio 5.57
01879 Rear axle ratio 3.73	03315 Rear axle ratio 5.63
02800 Rear axle ratio 4.10	02843 Mechanical differential lock
02810 Rear axle ratio 4.11	

BRAKE SYSTEM

Exhaust brake.

Optional

06195 Park brake control with test position	09525 Park brake ctl with test pos and spoken warning
09524 Park brake control with spoken warning	

CHASSIS

Wheelbase 5.30 m / rear overhang 2.40 m; Side member height 270 mm; EAS unit right, discharge right rearward; Battery box left, no spare wheel carrier; Plastic fuel tank 200 l; Tank for AdBlue® 30 l, right-hand side chassis; Front underrun protection (FUP); Spray suppression.

Optional

01623 Rear underrun protection	03323 Rear light with LEDs
---------------------------------------	-----------------------------------

DRAWBAR AND TRAILER EQUIPMENT

Closing member.

Optional

- 06779** Cross member D85-Dc70 -V25, no coupling, mounted
01433 Cross member D100-Dc70-V25, no coupling, mounted
06657 Cross member D85-Dc70 -V25, coupling D85, mounted
04638 Trailer coupling D= 8.5
04661 D-value cross member D= 8.5
01948 D-value cross member D=10

BODIES AND PREPARATIONS FOR BODYING

Application connector on the cab front; Standard body attachment hole pattern.

Optional

- 09952** BodyBuilder Module (BBM) full
00126 Body attachment BAM 1, consoles type B
02357 Box body
01890 Curtain sider body
01027 External body length 7300 mm
01028 External body length 7930 mm
01048 External body length 8540 mm
04621 External body width 2540 mm
01403 GRP faced plywood panels
00067 Contour markings
02702 Standard body floor
02698 Body floor with 3 mm aluminium tread plate
02717 Aluminium kick strips, front and sides 228 mm
02712 Aluminium kick strips, front 228 mm
02727 Galvanised kick strips, front and sides 200 mm
02728 Plywood kick strips, front and sides 300 mm
02738 Plywood kick strips, front 1200 mm, sides 300 mm
04650 Rear wide lath shutter door
04662 Rear double doors
02726 Single, hinged side door at front left-hand side
02718 Side roller shutter door
00312 Column tail lift 1.5 tonnes
00313 Tuck-under tail lift 1.5 tonnes

POWER TAKE-OFF (PTO)

Optional

- 16148** PTO types and positions

24V POWER SUPPLY

Alternator 80 A, batteries 2x 125 Ah..

Optional

- 01897** Alternator 100 A
08797 Batteries 2x175Ah

GVM AND GCM

Chassis weight related technical GVM max 19000 kg; Driveline related technical GCM equal to GVM.

Optional

- 00064** Driveline related max GCM 22500 kg
02658 Driveline related max GCM 26000 kg
00620 Driveline related max GCM 28000 kg
03027 Driveline related max GCM 32000 kg class 3

APPLICATION CONDITIONS

Moisture separator, unheated; Air intake low.

Optional

- 01282** Moderate climate
04767 Moisture separator, heated
04482 Air intake high behind cab

VEHICLE DELIVERY

Standard toolkit.

Optional

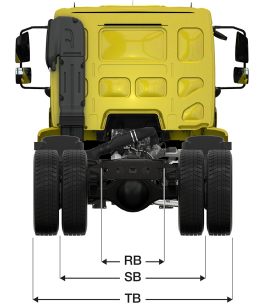
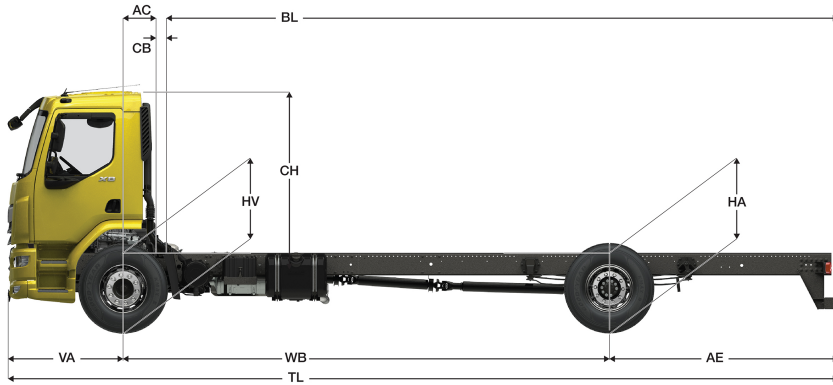
- 06491** Toolkit Eastern Europe



Go to [DAF.com](https://www.daf.com) to configure your own perfect DAF.

XB 230

FA 4X2 Rigid, 19t Chassis/Body



	Wheelbase - AE		Unladen weight ⁹⁾			Gross Carrying Capacity			Variable dimensions									
	WB	AE ⁵⁾	Front	Rear	Total	Front	Rear	Total	AC	CB ⁶⁾	CH ⁷⁾	BL ⁸⁾	BL	TL	HA ⁹⁾	HA ¹⁰⁾	TK ¹¹⁾	TW ¹²⁾
DAY CAB	5,30	2,40	3328	1849	5177	4172	9651	12823	0,22	0,26	1,88	6,45	6,45	9,09	1,04	0,84	18,33	19,22
	5,85	2,68	3371	1922	5293	4129	9578	12707	0,22	0,26	1,88	7,22	7,22	9,91	1,04	0,84	19,85	20,75
	6,25	2,88	3382	1946	5328	4118	9554	12672	0,22	0,26	1,88	7,79	7,79	10,51	1,04	0,84	20,95	21,86
SLEEPER CAB	5,30	2,40	3463	1839	5302	4037	9661	12699	0,62	0,20	1,88	5,84	5,84	9,09	1,04	0,84	18,33	19,22
	5,85	2,68	3505	1913	5418	3995	9587	12582	0,62	0,20	1,88	6,62	6,62	9,91	1,04	0,84	19,85	20,75
	6,25	2,88	3515	1938	5453	3985	9562	12547	0,62	0,20	1,88	7,19	7,19	10,51	1,04	0,84	20,95	21,86

OTHER DIMENSIONS VA: 1,39 HV¹³⁾: 1,00 HV¹⁴⁾: 0,92 RB: 0,79 SB: 1,82 TB¹⁵⁾: 2,45

1) GVM in conformity with registration documents.
 2) GCM in conformity with registration documents.
 3) Axle load with standard tyre size.
 4) Chassis and cab weight calculated with: Standard specification items only with 200 litres of fuel, 30 litres of AdBlue® and driver of 90 kg, tolerance ± 3%. Changing of the specification can have major impact on vehicle weight.
 5) Other AE dimensions may be available for shown WB. Modify rear overhang to the calculated body length.
 6) CB is based on standard air intake and/or exhaust.
 7) Cab height is measured from frame member to closed cabin roof hatch.

8) Calculate customer specific body length with TOPEC. Body lengths shown based on evenly distributed load at max axle load.
 9) Unladen height at centre of driven axle(s).
 10) Laden height at centre of driven axle(s).
 11) TK = turning circle between kerbs.
 12) TW = turning circle between walls.
 13) Unladen height at centre of front axle(s).
 14) Laden height at centre of front axle(s).
 15) TB is overall width at rear. (At centre of front axle 255).

Depending on the vehicle configuration a specific option may not be possible. The availability and specification of this vehicle may differ per country. For further information please contact the DAF organisation. Pictures and technical illustrations are not binding in detail and can differ from the standard specification. Subject to modification without prior notice.