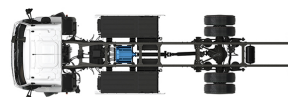


Specification sheet

XB 190

FA 4X2 Rigid, 19t Electric ChsBody



ENGINES

XB BEVNewGen rnal (mbusti / No hp listing)

GVM¹⁾

18000 kg

Max. front 7500 kg

Max. rear 11500 kg

GCM²⁾

19000 kg

016F5800BAAA - 202437D - 28-05-2024

DAF Trucks Ltd, UK, Haddenham, HP17 8LJ, www.daf.co.uk

CAB EXTERIOR

Day Cab with steel bumper, tinted glass and electric window openers. Main mirrors and wide angle mirrors electrically heated. Cab width 2130 mm.; Electrically adjustable mirrors; Mirror brackets, body 2.50-2.60 m; Front view mirror; Rear view camera.

Optional

| | |
|---|--|
| 02576 Extended Day Cab | 02083 Two hazard beacon lights LED |
| 01605 Cab suspension mechanical reinforced | 07343 Kerb view window co-driver door |
| 09983 Fog lights | 00915 Side no glass / rear single glass |
| 09984 Fog lights and cornering lights | 09101 Green tinted glass, heated |
| 06629 Two hazard beacon lights | |

AERODYNAMICS

Optional

| | |
|---|--|
| 09286 Roof air deflector prepared | 07092 Adjustable roof air deflector low (set) |
| 06776 Adjustable roof air deflector | 09287 Side collars prepared |
| 07109 Adjustable roof air deflector high (set) | 07112 Side collars long (set) |

COLOURS

; Head lamp panel and bumper: Stone Grey; Lower step cover, cab steps and wing Stone Grey.; Chassis colour grey.; No body panels.

Optional

| | |
|---|---|
| 06485 Head lamp panel and bumper: cab colour | 00617 Lower step cover, cab steps and wing in cab colour |
| 00733 Lower step cab colour, cab steps and wing Grey | 16153 Cab and chassis colours |

CAB INTERIOR

Right-hand drive (RHD); Mechanically adjustable steering column; Driver seat: air suspended; Co-driver seat: fixed velour; Storage box on engine tunnel.

Optional

| | |
|---|---|
| 09271 Steering wheel, leather, colour black | 16158 Seat types |
| 03516 Pneumatically adjustable steering column | 04246 Roof hatch, manual control |
| 00967 Seat belts red | 04258 Roof hatch, electric control |

COMMUNICATION AND DRIVING MANAGEMENT

FMS connector, prepared; Tachograph digital, Stoneridge 1C version G2V2; Driver Performance Assistant.

Optional

| |
|---|
| 16155 Audio equipment, makes and types |
|---|

SAFETY AND SECURITY

Speed limit recognition; DAF drowsiness detection; Drive-off Assist.

Optional

| | |
|--|---------------------------------|
| 08631 Air bag (driver) and 2 seat belt tensioners | 01723 No reverse warning |
| 07414 Reverse warning with self-adjusting volume | |

SUSPENSION AND AXLES

Front axle type 152N, 100 mm vertical offset. Parabolic leaf suspension with shock absorbers and stabiliser. Max. load 7.5 tonnes.; Single reduction driven rear axle type SR1344 with adjustable electronically controlled 4-bellow air suspension, including shock absorbers and stabiliser. Max. load 13.0 tonnes. Mechanical differential lock..

WHEELS AND TYRES

Front axle(s): 315/70R22.5; Driven rear axle(s): 315/70R22.5; Goodyear; Wheel protection rings silvergrey.

Optional

| | |
|--|-----------------------------------|
| 06764 Wheel protection rings black | 16152 Tyre makes and types |
| 06766 Wheel protection rings chromium DAF | |

DRIVELINE

Electric motor type EX-M2; 190 kW; Battery Electric Vehicle; Rear axle ratio 5.57.

BRAKE SYSTEM

Optional

| |
|---|
| 09524 Park brake control with spoken warning |
|---|

CHASSIS

Wheelbase 5.30 m / rear overhang 2.40 m; Side member height 270 mm; Battery box LH rear, no spare wheel carrier; Battery pack H-type; 2 HV battery packs: L1+R1, H-type; 2 HV battery packs; Front underrun protection (FUP); Spray suppression.

Optional

| | |
|--|---------------------------------------|
| 04181 Battery pack C-type | 01623 Rear underrun protection |
| 00684 2 HV battery packs: L1+R1, C-type | 03323 Rear light with LEDs |

DRAWBAR AND TRAILER EQUIPMENT

Closing member.

BODIES AND PREPARATIONS FOR BODYING

Standard body attachment hole pattern.

Optional

| | |
|---|---|
| 09952 BodyBuilder Module (BBM) full | 02717 Aluminium kick strips, front and sides 228 mm |
| 00126 Body attachment BAM 1, consoles type B | 02712 Aluminium kick strips, front 228 mm |
| 02357 Box body | 02727 Galvanised kick strips, front and sides 200 mm |
| 01890 Curtain sider body | 02728 Plywood kick strips, front and sides 300 mm |
| 01027 External body length 7300 mm | 02738 Plywood kick strips, front 1200 mm, sides 300 mm |
| 01028 External body length 7930 mm | 04650 Rear wide lath shutter door |
| 01048 External body length 8540 mm | 04662 Rear double doors |
| 04621 External body width 2540 mm | 02726 Single, hinged side door at front left-hand side |
| 01403 GRP faced plywood panels | 02718 Side roller shutter door |
| 00067 Contour markings | 00312 Column tail lift 1.5 tonnes |
| 02702 Standard body floor | 00313 Tuck-under tail lift 1.5 tonnes |
| 02698 Body floor with 3 mm aluminium tread plate | |

24V POWER SUPPLY

Batteries 2x 125 Ah..

Optional

01257 Batteries 2x140Ah

08797 Batteries 2x175Ah

GVM AND GCM

Chassis weight related technical GVM max 19000 kg; Driveline related technical GCM equal to GVM.

APPLICATION CONDITIONS

Optional

01282 Moderate climate

VEHICLE DELIVERY

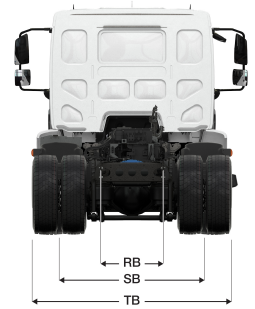
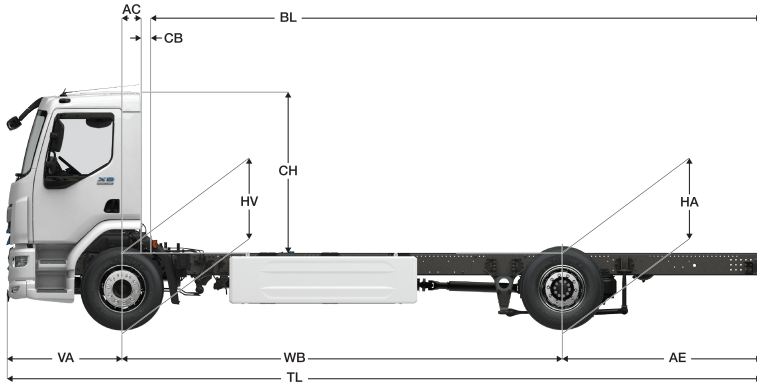
Standard toolkit.

Optional

06491 Toolkit Eastern Europe

XB 190

FA 4X2 Rigid, 19t Electric ChsBody



| | Wheelbase - AE | | Unladen weight ⁹⁾ | | | Gross Carrying Capacity | | | Variable dimensions | | | | | | | | | |
|---------|----------------|------------------|------------------------------|------|-------|-------------------------|------|-------|---------------------|------------------|------------------|------------------|-------|-------|------------------|-------------------|-------------------|-------------------|
| | WB | AE ⁵⁾ | Front | Rear | Total | Front | Rear | Total | AC | CB ⁶⁾ | CH ⁷⁾ | BL ⁸⁾ | BL | TL | HA ⁹⁾ | HA ¹⁰⁾ | TK ¹¹⁾ | TW ¹²⁾ |
| DAY CAB | 5,30 | 2,40 | 4328 | 2598 | 6925 | 3172 | 8902 | 11075 | 0,22 | 0,24 | 1,88 | 6,90 | 8,21 | 9,09 | 0,92 | 0,89 | 18,02 | 19,22 |
| | 5,85 | 2,68 | 4423 | 2508 | 6932 | 3077 | 8992 | 11068 | 0,22 | 0,24 | 1,88 | 7,81 | 9,24 | 9,92 | 0,92 | 0,89 | 19,54 | 20,75 |
| | 6,25 | 2,68 | 4488 | 2449 | 6937 | 3012 | 9051 | 11063 | 0,22 | 0,24 | 1,88 | 8,48 | 10,01 | 10,32 | 0,92 | 0,89 | 20,64 | 21,86 |

OTHER DIMENSIONS VA: 1,39 HV¹³⁾: 0,98 HV¹⁴⁾: 0,93 RB: 0,79 SB: 1,83 TB¹⁵⁾: 2,47

1) GVM in conformity with registration documents.
 2) GCM in conformity with registration documents.
 3) Axle load with standard tyre size.
 4) Chassis and cab weight calculated with: Standard specification items only with 3 litres of fuel, 0 litres of AdBlue® and driver of 90 kg, tolerance ± 3%. Changing of the specification can have major impact on vehicle weight.
 5) Other AE dimensions may be available for shown WB. Modify rear overhang to the calculated body length.
 6) CB is based on standard air intake and/or exhaust.
 7) Cab height is measured from frame member to closed cabin roof hatch.

8) Calculate customer specific body length with TOPEC. Body lengths shown based on evenly distributed load at max axle load.
 9) Unladen height at centre of driven axle(s).
 10) Laden height at centre of driven axle(s).
 11) TK = turning circle between kerbs.
 12) TW = turning circle between walls.
 13) Unladen height at centre of front axle(s).
 14) Laden height at centre of front axle(s).
 15) TB is overall width at rear. (At centre of front axle 255).

Depending on the vehicle configuration a specific option may not be possible. The availability and specification of this vehicle may differ per country. For further information please contact the DAF organisation. Pictures and technical illustrations are not binding in detail and can differ from the standard specification. Subject to modification without prior notice.