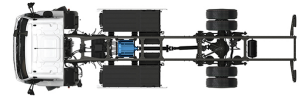


Specification sheet

XB 190

FA 4X2 Rigid, 19t Electric



ENGINES

XB BEVNewGen rnal (mbusti / No hp listing)

GVM¹⁾

18000 kg

Max. front 7500 kg

Max. rear 11500 kg

GCM²⁾

19000 kg

016F5800AAAA - 202437D - 28-05-2024

DAF Trucks Ltd, UK, Haddenham, HP17 8LJ, www.daf.co.uk

CAB EXTERIOR

Day Cab with steel bumper, tinted glass and electric window openers. Main mirrors and wide angle mirrors electrically heated. Cab width 2130 mm.; Electrically adjustable mirrors; Mirror brackets, body 2.50-2.60 m; Front view mirror; Rear view camera.

Optional

02576 Extended Day Cab	02083 Two hazard beacon lights LED
01605 Cab suspension mechanical reinforced	07343 Kerb view window co-driver door
09983 Fog lights	00915 Side no glass / rear single glass
09984 Fog lights and cornering lights	09101 Green tinted glass, heated
06629 Two hazard beacon lights	09283 Mirror brackets, body 2.40-2.50 m

AERODYNAMICS

Optional

09286 Roof air deflector prepared	07092 Adjustable roof air deflector low (set)
06776 Adjustable roof air deflector	09287 Side collars prepared
07109 Adjustable roof air deflector high (set)	07112 Side collars long (set)

COLOURS

; Head lamp panel and bumper: Stone Grey; Lower step cover, cab steps and wing Stone Grey.; Chassis colour grey..

Optional

06485 Head lamp panel and bumper: cab colour	00617 Lower step cover, cab steps and wing in cab colour
00733 Lower step cab colour, cab steps and wing Grey	16153 Cab and chassis colours

CAB INTERIOR

Right-hand drive (RHD); Mechanically adjustable steering column; Driver seat: air suspended; Co-driver seat: fixed velour; Storage box on engine tunnel.

Optional

01846 Left-hand drive (LHD)	16158 Seat types
09271 Steering wheel, leather, colour black	04246 Roof hatch, manual control
03516 Pneumatically adjustable steering column	04258 Roof hatch, electric control
00967 Seat belts red	

COMMUNICATION AND DRIVING MANAGEMENT

FMS connector, prepared; Tachograph digital, Stoneridge 1C version G2V2; Driver Performance Assistant.

Optional

16155 Audio equipment, makes and types

SAFETY AND SECURITY

Speed limit recognition; DAF drowsiness detection; Drive-off Assist.

Optional

08631 Air bag (driver) and 2 seat belt tensioners	01723 No reverse warning
07414 Reverse warning with self-adjusting volume	

SUSPENSION AND AXLES

Front axle type 152N, 100 mm vertical offset. Parabolic leaf suspension with shock absorbers and stabiliser. Max. load 7.5 tonnes.; Single reduction driven rear axle type SR1344 with adjustable electronically controlled 4-bellow air suspension, including shock absorbers and stabiliser. Max. load 13.0 tonnes. Mechanical differential lock..

WHEELS AND TYRES

Front axle(s): 315/70R22.5; Driven rear axle(s): 315/70R22.5; Goodyear; Wheel protection rings silvergrey.

Optional

06764 Wheel protection rings black	16152 Tyre makes and types
06766 Wheel protection rings chromium DAF	

DRIVELINE

Electric motor type EX-M2; 190 kW; Battery Electric Vehicle; Rear axle ratio 5.57.

BRAKE SYSTEM

Optional

09524 Park brake control with spoken warning

CHASSIS

Wheelbase 4.45 m / rear overhang 1.98 m; Side member height 270 mm; Battery box LH rear, no spare wheel carrier; Battery pack H-type; 2 HV battery packs: L1+R1, H-type; 2 HV battery packs; Front underrun protection (FUP); Spray suppression.

Optional

00585 Battery box LH rear, spare wheel carrier RH	01623 Rear underrun protection
04181 Battery pack C-type	07071 Spare wheel carrier right-hand side
00684 2 HV battery packs: L1+R1, C-type	03323 Rear light with LEDs

DRAWBAR AND TRAILER EQUIPMENT

Closing member.

BODIES AND PREPARATIONS FOR BODYING

Standard body attachment hole pattern.

Optional

09952 BodyBuilder Module (BBM) full	07487 Body attachment BAM 1, loose consoles supply
01502 No side marker lights	07488 Body attachment BAM 3, loose consoles supply

24V POWER SUPPLY

Batteries 2x 125 Ah..

Optional

01257 Batteries 2x140Ah	08797 Batteries 2x175Ah
--------------------------------	--------------------------------

GVM AND GCM

Chassis weight related technical GVM max 19000 kg; Driveline related technical GCM equal to GVM.

APPLICATION CONDITIONS

Optional

01282 Moderate climate

VEHICLE DELIVERY

Standard toolkit.

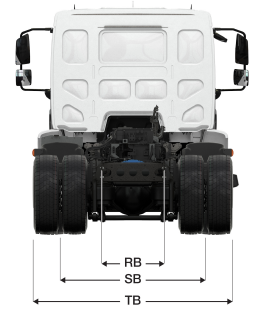
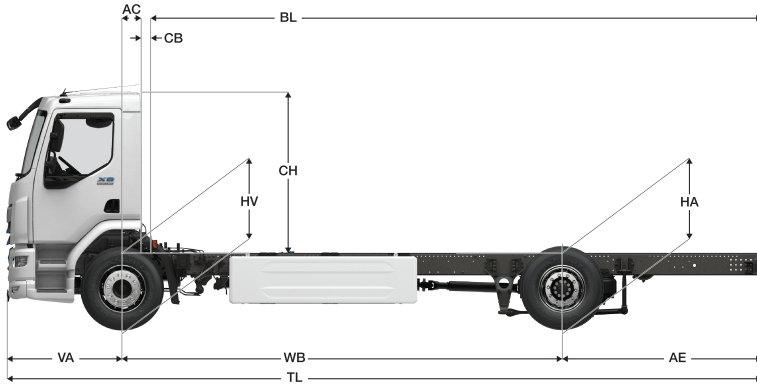
Optional

06491 Toolkit Eastern Europe

Go to [DAF.com](https://www.daf.com) to configure your own perfect DAF.

XB 190

FA 4X2 Rigid, 19t Electric



	Wheelbase - AE		Unladen weight ¹⁾			Gross Carrying Capacity			Variable dimensions									
	WB	AE ⁵⁾	Front	Rear	Total	Front	Rear	Total	AC	CB ⁶⁾	CH ⁷⁾	BL ⁸⁾	BL	TL	HA ⁹⁾	HA ¹⁰⁾	TK ¹¹⁾	TW ¹²⁾
DAY CAB	4,45	1,98	4353	3091	7444	3147	8409	10556	0,22	0,24	1,88	5,57	6,71	7,82	0,91	0,89	15,69	16,86
	4,75	2,13	4427	3008	7436	3073	8492	10564	0,22	0,24	1,88	6,07	7,29	8,27	0,91	0,89	16,51	17,69
	5,00	2,25	4496	2970	7466	3004	8530	10534	0,22	0,24	1,88	6,49	7,78	8,64	0,92	0,89	17,20	18,39
	5,30	2,40	4555	2913	7469	2945	8587	10531	0,22	0,24	1,88	6,99	8,35	9,09	0,92	0,89	18,02	19,22
	5,85	2,68	4648	2826	7474	2852	8674	10526	0,22	0,24	1,88	7,90	9,41	9,92	0,92	0,89	19,53	20,75
	6,25	2,88	4741	2829	7569	2759	8671	10431	0,22	0,24	1,88	8,58	10,19	10,52	0,92	0,89	20,64	21,86
	6,60	2,85	4815	2813	7628	2685	8687	10372	0,22	0,24	1,88	9,18	10,89	10,84	0,92	0,89	21,60	22,83
6,90	3,00	4856	2796	7652	2644	8704	10348	0,22	0,24	1,88	9,68	11,49	11,29	0,92	0,89	22,43	23,66	

OTHER DIMENSIONS VA: 1,39 HV¹³⁾: 0,98 HV¹⁴⁾: 0,93 RB: 0,79 SB: 1,83 TB¹⁵⁾: 2,47

1) GVM in conformity with registration documents.
 2) GCM in conformity with registration documents.
 3) Axle load with standard tyre size.
 4) Chassis and cab weight calculated with: Standard specification items only with 3 litres of fuel, 0 litres of AdBlue® and driver of 90 kg, tolerance ± 3%. Changing of the specification can have major impact on vehicle weight.
 5) Other AE dimensions may be available for shown WB. Modify rear overhang to the calculated body length.
 6) CB is based on standard air intake and/or exhaust.
 7) Cab height is measured from frame member to closed cabin roof hatch.

8) Calculate customer specific body length with TOPEC. Body lengths shown based on evenly distributed load at max axle load.
 9) Unladen height at centre of driven axle(s).
 10) Laden height at centre of driven axle(s).
 11) TK = turning circle between kerbs.
 12) TW = turning circle between walls.
 13) Unladen height at centre of front axle(s).
 14) Laden height at centre of front axle(s).
 15) TB is overall width at rear. (At centre of front axle 255).

Depending on the vehicle configuration a specific option may not be possible. The availability and specification of this vehicle may differ per country. For further information please contact the DAF organisation. Pictures and technical illustrations are not binding in detail and can differ from the standard specification. Subject to modification without prior notice.