

Specification sheet

XB 190

FA 4X2 Rigid, 16t RoadSweeper



ENGINES

- XB NewGen 190 PX-5 (139 kW / 189 hp)
- XB NewGen 210 PX-5 (153 kW / 208 hp)
- XB NewGen 230 PX-7 (167 kW / 227 hp)

GVM¹⁾

16000 kg

Max. front 6000 kg

Max. rear 10500 kg

GCM²⁾

16000 kg

CAB EXTERIOR

Day Cab with steel bumper, tinted glass and electric window openers. Main mirrors and wide angle mirrors electrically heated. Cab width 2130 mm.; Electrically adjustable mirrors; Mirror brackets, body 2.50-2.60 m; Front view mirror; Rear view camera.

Optional

09983 Fog lights	00915 Side no glass / rear single glass
09984 Fog lights and cornering lights	09101 Green tinted glass, heated
06629 Two hazard beacon lights	09282 Mirror brackets, body 2.30-2.40 m
02083 Two hazard beacon lights LED	09283 Mirror brackets, body 2.40-2.50 m
07343 Kerb view window co-driver door	

COLOURS

; Head lamp panel and bumper: Stone Grey; Lower step cover, cab steps and wing Stone Grey.; Chassis colour grey..

Optional

06150 Solid cab colour	06485 Head lamp panel and bumper: cab colour
01162 Cab colour H3279 Brilliant White	00733 Lower step cab colour, cab steps and wing Grey
00061 Special solid cab colour	00617 Lower step cover, cab steps and wing in cab colour
06151 Cab metallic colour	
04431 Special metallic cab colour	16153 Cab and chassis colours

CAB INTERIOR

Mechanically adjustable steering column; Driver seat: air suspended; Co-driver seat: fixed velour; Storage box on engine tunnel.

Optional

09271 Steering wheel, leather, colour black	02600 Co-driver seat: air suspended
03516 Pneumatically adjustable steering column	09106 Dual mate seat, luxury version
03376 Dual mate seat, vinyl	00967 Seat belts red
00072 Dual mate seat, velour	04246 Roof hatch, manual control

COMMUNICATION AND DRIVING MANAGEMENT

FMS connector, prepared; Tachograph digital, Stoneridge 1C version G2V2; Driver Performance Assistant.

Optional

16155 Audio equipment, makes and types

SAFETY AND SECURITY

Speed limit recognition; DAF drowsiness detection; Drive-off Assist.

Optional

08631 Air bag (driver) and 2 seat belt tensioners	16156 EC-ADR packages
--	------------------------------

SUSPENSION AND AXLES

Front axle type F60. Parabolic leaf suspension with shock absorbers and stabiliser. Max. load 6.0 tonnes.; Single reduction driven rear axle type SR10.26 with asymmetric parabolic leaf suspension, including shock absorbers. Max. load 10.5 tonnes..

WHEELS AND TYRES

Front axle(s): 285/70R19.5; Driven rear axle(s): 285/70R19.5; Goodyear; Wheel protection rings silvergrey.

Optional

06764 Wheel protection rings black	16152 Tyre makes and types
---	-----------------------------------

DRIVELINE

Engine PX-5, 4 cylinder diesel engine, 4.5 litres. Output 139 kW (189 hp) at 2300 rpm. Max. torque 745 Nm at 1200-1700 rpm.; Exhaust emission Euro 6; Manual gearbox, 6 speeds; Gearbox ratio 6.75-0.78; Rear axle ratio 5.13.

Optional

04393 Manual gearbox, 9 speeds	02800 Rear axle ratio 4.10
07667 Automatic gearbox PowerLine, 8-speed	02808 Rear axle ratio 4.56
02313 Gearbox direct drive	03895 Rear axle ratio 5.71
01878 Rear axle ratio 3.31	02819 Rear axle ratio 6.33
01879 Rear axle ratio 3.73	02843 Mechanical differential lock

BRAKE SYSTEM

Exhaust brake.

CHASSIS

Wheelbase 3.26 m / rear overhang 1.00 m; Side member height 270 mm; EAS unit behind the cab, vertical discharge; Battery box right, no spare wheel carrier; Plastic fuel tank 115 l; Tank for AdBlue® 20 l, left behind the cab; Spray suppression.

Optional

01623 Rear underrun protection	03323 Rear light with LEDs
---------------------------------------	-----------------------------------

DRAWBAR AND TRAILER EQUIPMENT

Closing member.

BODIES AND PREPARATIONS FOR BODYING

BodyBuilder Module (BBM) full; Application connector for road sweeper; Standard body attachment hole pattern.

POWER TAKE-OFF (PTO)

Optional

06282 Rear eng PTO 13h, permanent, pump drive	16148 PTO types and positions
--	--------------------------------------

24V POWER SUPPLY

Optional

01897 Alternator 100 A

APPLICATION CONDITIONS

Moisture separator, unheated; Air intake on the cab roof.

Optional

02270 Cold climate	04767 Moisture separator, heated
---------------------------	---

VEHICLE DELIVERY

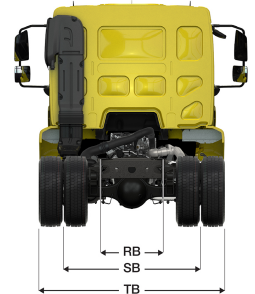
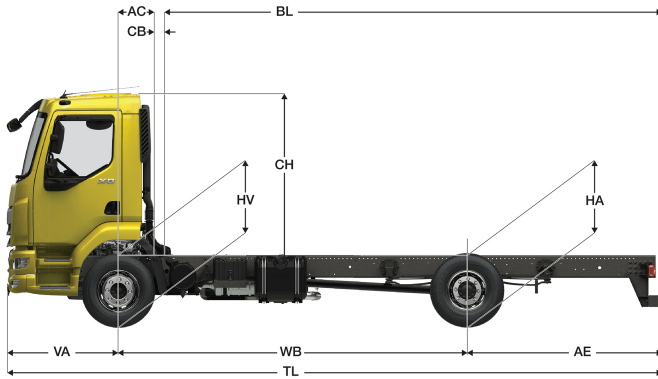
Standard toolkit.



Go to [DAF.com](https://www.daf.com) to configure your own perfect DAF.

XB 190

FA 4X2 Rigid, 16t RoadSweeper



	Wheelbase - AE		Unladen weight ⁹⁾			Gross Carrying Capacity			Variable dimensions									
	WB	AE ⁵⁾	Front	Rear	Total	Front	Rear	Total	AC	CB ⁶⁾	CH ⁷⁾	BL ⁸⁾	BL	TL	HA ⁹⁾	HA ¹⁰⁾	TK ¹¹⁾	TW ¹²⁾
DAY CAB	3,26	1,00	2807	1194	4001	3193	9306	11999	0,27	0,44	1,85	3,37	3,64	5,60	1,06	0,99	11,40	12,62

OTHER DIMENSIONS	VA: 1,34	HV ¹³⁾ : 1,04	HV ¹⁴⁾ : 0,96	RB: 0,79	SB: 1,75	TB ¹⁵⁾ : 2,35
------------------	----------	--------------------------	--------------------------	----------	----------	--------------------------

1) GVM in conformity with registration documents.
 2) GCM in conformity with registration documents.
 3) Axle load with standard tyre size.
 4) Chassis and cab weight calculated with: Standard specification items only with 115 litres of fuel, 20 litres of AdBlue® and driver of 90 kg, tolerance ± 3%. Changing of the specification can have major impact on vehicle weight.
 5) Other AE dimensions may be available for shown WB. Modify rear overhang to the calculated body length.
 6) CB is based on standard air intake and/or exhaust.
 7) Cab height is measured from frame member to closed cabin roof hatch.

8) Calculate customer specific body length with TOPEC. Body lengths shown based on evenly distributed load at max axle load.
 9) Unladen height at centre of driven axle(s).
 10) Laden height at centre of driven axle(s).
 11) TK = turning circle between kerbs.
 12) TW = turning circle between walls.
 13) Unladen height at centre of front axle(s).
 14) Laden height at centre of front axle(s).
 15) TB is overall width at rear. (At centre of front axle 255).

Depending on the vehicle configuration a specific option may not be possible. The availability and specification of this vehicle may differ per country. For further information please contact the DAF organisation. Pictures and technical illustrations are not binding in detail and can differ from the standard specification. Subject to modification without prior notice.