

Specification sheet

XB 190

FA 4X2 Rigid, 16t



ENGINES

XB NewGen 190 PX-5 (139 kW / 189 hp)
XB NewGen 210 PX-5 (153 kW / 208 hp)
XB NewGen 230 PX-7 (167 kW / 227 hp)
XB NewGen 260 PX-7 (189 kW / 257 hp)
XB NewGen 290 PX-7 (212 kW / 287 hp)

GVM¹⁾

16000 kg
Max. front 6000 kg
Max. rear 10500 kg

GCM²⁾

16000 kg

CAB EXTERIOR

Day Cab with steel bumper, tinted glass and electric window openers. Main mirrors and wide angle mirrors electrically heated. Cab width 2130 mm.; Electrically adjustable mirrors; Mirror brackets, body 2.50-2.60 m; Front view mirror; Rear view camera.

Optional

02576 Extended Day Cab	02083 Two hazard beacon lights LED
02106 Sleeper Cab	07343 Kerb view window co-driver door
03175 Cab suspension rubber and mechanical	00915 Side no glass / rear single glass
01605 Cab suspension mechanical reinforced	09101 Green tinted glass, heated
09983 Fog lights	09282 Mirror brackets, body 2.30-2.40 m
09984 Fog lights and cornering lights	09283 Mirror brackets, body 2.40-2.50 m
06629 Two hazard beacon lights	

AERODYNAMICS

Optional

09286 Roof air deflector prepared	07092 Adjustable roof air deflector low (set)
06776 Adjustable roof air deflector	09287 Side collars prepared
07109 Adjustable roof air deflector high (set)	07112 Side collars long (set)

COLOURS

; Head lamp panel and bumper: Stone Grey; Lower step cover, cab steps and wing Stone Grey.; Chassis colour grey..

Optional

06150 Solid cab colour	06485 Head lamp panel and bumper: cab colour
01162 Cab colour H3279 Brilliant White	00733 Lower step cab colour, cab steps and wing Grey
00061 Special solid cab colour	00617 Lower step cover, cab steps and wing in cab colour
06151 Cab metallic colour	16153 Cab and chassis colours
04431 Special metallic cab colour	

CAB INTERIOR

Mechanically adjustable steering column; Driver seat: air suspended; Co-driver seat: fixed velour; Storage box on engine tunnel.

Optional

09271 Steering wheel, leather, colour black	00967 Seat belts red
03516 Pneumatically adjustable steering column	04346 Lower bunk, normal level
03376 Dual mate seat, vinyl	03703 Auxiliary cab heater Air Top 2000
00072 Dual mate seat, velour	04246 Roof hatch, manual control
02600 Co-driver seat: air suspended	04258 Roof hatch, electric control
09106 Dual mate seat, luxury version	

COMMUNICATION AND DRIVING MANAGEMENT

FMS connector, prepared; Tachograph digital, Stoneridge 1C version G2V2; Driver Performance Assistant.

Optional

16155 Audio equipment, makes and types

SAFETY AND SECURITY

Speed limit recognition; DAF drowsiness detection; Drive-off Assist.

Optional

08631 Air bag (driver) and 2 seat belt tensioners	16156 EC-ADR packages
----------------------------------------------------------	------------------------------

SUSPENSION AND AXLES

Front axle type F60. Parabolic leaf suspension with shock absorbers and stabiliser. Max. load 6.0 tonnes.; Single reduction driven rear axle type SR10.22 with parabolic leaf suspension, including shock absorbers and stabiliser. Max. load 10.5 tonnes..

Optional

02532 Rear: 9.80 t, parabolic, SR10.22	09090 Rear: 10.50 t, air suspension, SR10.26
09091 Rear: 10.50 t, parabolic, SR10.26	01372 Rear springs air
01665 Rear: 10.50 t, air suspension, SR10.22	

WHEELS AND TYRES

Front axle(s): 285/70R19.5; Driven rear axle(s): 285/70R19.5; Goodyear; Wheel protection rings silvergrey.

Optional

06764 Wheel protection rings black	16152 Tyre makes and types
-------------------------------------------	-----------------------------------

DRIVELINE

Engine PX-5, 4 cylinder diesel engine, 4.5 litres. Output 139 kW (189 hp) at 2300 rpm. Max. torque 745 Nm at 1200-1700 rpm.; Exhaust emission Euro 6; Manual gearbox, 6 speeds; Gearbox ratio 6.58-0.78; Rear axle ratio 4.56.

Optional

04393 Manual gearbox, 9 speeds	02800 Rear axle ratio 4.10
07667 Automatic gearbox PowerLine, 8-speed	02809 Rear axle ratio 5.13
09888 Automatic gearbox, 5 speeds	03895 Rear axle ratio 5.71
02313 Gearbox direct drive	02819 Rear axle ratio 6.33
01878 Rear axle ratio 3.31	02843 Mechanical differential lock
01879 Rear axle ratio 3.73	

BRAKE SYSTEM

Exhaust brake.

Optional

06195 Park brake control with test position	09525 Park brake ctl with test pos and spoken warning
09524 Park brake control with spoken warning	

CHASSIS

Wheelbase 3.50 m / rear overhang 1.85 m; Side member height 270 mm; EAS unit right, discharge right rearward; Battery box left, no spare wheel carrier; Plastic fuel tank 170 l; Tank for AdBlue® 30 l, right-hand side chassis; Spray suppression.

Optional

04439 Battery box left, spare wheel carrier right	07071 Spare wheel carrier right-hand side
01623 Rear underrun protection	03323 Rear light with LEDs

DRAWBAR AND TRAILER EQUIPMENT

Closing member.

Optional

- 06779** Cross member D85-Dc70 **04661** D-value cross member D=-V25, no coupling, mounted
- 06657** Cross member D85-Dc70 -V25, coupling D85, mounted

BODIES AND PREPARATIONS FOR BODYING

No BodyBuilder Module (BBM); Application connector chassis; Standard body attachment hole pattern.

Optional

- 09952** BodyBuilder Module (BBM) full
- 06691** Application connector on the cab front
- 02950** Application connector for hydraulic platform
- 09240** Application connector for refuse collector
- 01502** No side marker lights
- 07487** Body attachment BAM 1, loose consoles supply
- 07488** Body attachment BAM 3, loose consoles supply

POWER TAKE-OFF (PTO)

Optional

- 06624** Indirect front engine PTO
- 00590** Front engine PTO with generator preparation 17 kW
- 06785** Front engine PTO, generator preparation 22.5 kW
- 01250** Front engine PTO with generator preparation 30 kW
- 06282** Rear eng PTO 13h, permanent, pump drive
- 16148** PTO types and positions

24V POWER SUPPLY

Optional

- 01897** Alternator 100 A
- 08797** Batteries 2x175Ah

APPLICATION CONDITIONS

Moisture separator, unheated; Air intake low.

Optional

- 02270** Cold climate
- 04767** Moisture separator, heated
- 04482** Air intake high behind cab
- 09960** Air intake on the cab roof

VEHICLE DELIVERY

Standard toolkit.

Optional

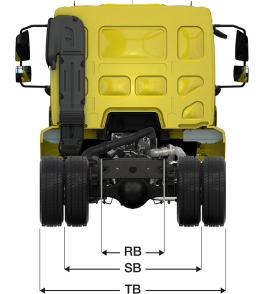
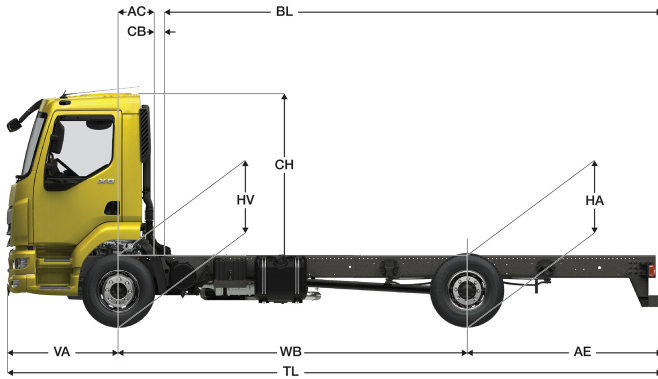
- 06491** Toolkit Eastern Europe



Go to [DAF.com](https://www.daf.com) to configure your own perfect DAF.

XB 190

FA 4X2 Rigid, 16t



	Wheelbase - AE		Unladen weight ¹⁾			Gross Carrying Capacity			Variable dimensions									
	WB	AE ⁵⁾	Front	Rear	Total	Front	Rear	Total	AC	CB ⁶⁾	CH ⁷⁾	BL ⁸⁾	BL	TL	HA ⁹⁾	HA ¹⁰⁾	TK ¹¹⁾	TW ¹²⁾
DAY CAB	3,25	1,70	2841	1411	4252	3159	9089	11748	0,27	0,12	1,88	3,98	4,25	6,29	1,09	0,94	11,37	12,59
	3,50	1,85	2859	1443	4302	3141	9057	11698	0,27	0,12	1,88	4,35	4,64	6,69	1,09	0,94	11,99	13,22
	3,80	2,03	2857	1446	4303	3143	9054	11697	0,27	0,12	1,88	4,79	5,10	7,17	1,09	0,95	12,73	13,98
	4,20	2,27	2859	1460	4319	3141	9040	11681	0,27	0,12	1,88	5,37	5,72	7,81	1,09	0,95	13,72	14,99
	4,50	2,45	2883	1498	4382	3117	9002	11618	0,27	0,12	1,88	5,82	6,19	8,29	1,09	0,95	14,46	15,75
	4,80	2,63	2880	1505	4385	3120	8995	11616	0,27	0,12	1,88	6,26	6,66	8,77	1,09	0,95	15,21	16,51
	5,35	2,96	2897	1540	4437	3103	8960	11563	0,27	0,12	1,88	7,06	7,50	9,65	1,09	0,95	16,58	17,90
	5,90	3,29	2912	1579	4491	3088	8921	11509	0,27	0,12	1,88	7,88	8,37	10,53	1,09	0,95	17,95	19,29
6,30	3,53	2919	1599	4518	3081	8901	11483	0,27	0,12	1,88	8,45	8,98	11,17	1,09	0,95	18,96	20,30	
6,70	2,90	3013	1654	4666	2987	8846	11334	0,27	0,12	1,88	9,11	9,68	10,94	1,09	0,97	19,96	21,31	
SLEEPER CAB	WB	AE ⁵⁾	Front	Rear	Total	Front	Rear	Total	AC	CB ⁶⁾	CH ⁷⁾	BL ⁸⁾	BL	TL	HA ⁹⁾	HA ¹⁰⁾	TK ¹¹⁾	TW ¹²⁾
	3,25	1,70	2960	1430	4391	3040	9070	11609	0,67	0,07	1,88	3,33	3,60	6,29	1,09	0,93	11,37	12,59
	3,50	1,85	2980	1462	4441	3020	9038	11559	0,67	0,07	1,88	3,70	4,00	6,69	1,09	0,93	11,99	13,22
	3,80	2,03	2979	1463	4442	3021	9037	11558	0,67	0,07	1,88	4,14	4,47	7,17	1,09	0,93	12,73	13,98
	4,20	2,27	2982	1476	4458	3018	9024	11542	0,67	0,07	1,88	4,74	5,08	7,81	1,09	0,94	13,72	14,99
	4,50	2,45	3008	1513	4521	2992	8987	11479	0,67	0,07	1,88	5,19	5,56	8,29	1,09	0,94	14,46	15,75
	4,80	2,63	3005	1518	4523	2995	8982	11477	0,67	0,07	1,88	5,63	6,03	8,77	1,09	0,94	15,21	16,51
	5,35	2,96	3024	1552	4576	2976	8948	11424	0,67	0,07	1,88	6,44	6,90	9,65	1,09	0,94	16,58	17,90
5,90	3,29	3040	1590	4630	2960	8910	11370	0,67	0,07	1,88	7,26	7,77	10,53	1,09	0,94	17,95	19,29	
6,30	3,53	3047	1609	4656	2953	8891	11344	0,67	0,07	1,88	7,85	8,39	11,17	1,09	0,94	18,96	20,30	
6,70	2,90	3142	1664	4805	2858	8836	11195	0,67	0,07	1,88	8,52	9,10	10,94	1,09	0,96	19,96	21,31	

OTHER DIMENSIONS	VA: 1,34	HV ¹³⁾ : 1,01	HV ¹⁴⁾ : 0,93	RB: 0,79	SB: 1,75	TB ¹⁵⁾ : 2,35
------------------	----------	--------------------------	--------------------------	----------	----------	--------------------------

- GVM in conformity with registration documents.
- GCM in conformity with registration documents.
- Axle load with standard tyre size.
- Chassis and cab weight calculated with: Standard specification items only with 170 litres of fuel, 30 litres of AdBlue® and driver of 90 kg, tolerance ± 3%. Changing of the specification can have major impact on vehicle weight.
- Other AE dimensions may be available for shown WB. Modify rear overhang to the calculated body length.
- CB is based on standard air intake and/or exhaust.
- Cab height is measured from frame member to closed cabin roof hatch.
- Calculate customer specific body length with TOPEC. Body lengths shown based on evenly distributed load at max axle load.
- Unladen height at centre of driven axle(s).
- Laden height at centre of driven axle(s).
- TK = turning circle between kerbs.
- TW = turning circle between walls.
- Unladen height at centre of front axle(s).
- Laden height at centre of front axle(s).
- TB is overall width at rear. (At centre of front axle 255).

Depending on the vehicle configuration a specific option may not be possible. The availability and specification of this vehicle may differ per country. For further information please contact the DAF organisation. Pictures and technical illustrations are not binding in detail and can differ from the standard specification. Subject to modification without prior notice.