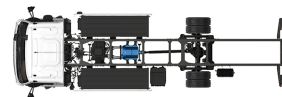


# Specification sheet

# XB 120

FA 4X2 Rigid, 12t Electric



## ENGINES

XB BEVNewGen rnal (mbusti / No hp listing)

## GVM<sup>1)</sup>

12000 kg

Max. front 4480 kg

Max. rear 8480 kg

## GCM<sup>2)</sup>

12000 kg

016F3800AAAA - 202437D - 28-05-2024

DAF Trucks Ltd, UK, Haddenham, HP17 8LJ, [www.daf.co.uk](http://www.daf.co.uk)

## CAB EXTERIOR

Day Cab with steel bumper, tinted glass and electric window openers. Main mirrors and wide angle mirrors electrically heated. Cab width 2130 mm.; Electrically adjustable mirrors; Mirror brackets, body 2.50-2.60 m; Front view mirror; Rear view camera.

### Optional

<b>02576</b> Extended Day Cab	<b>07343</b> Kerb view window co-driver door
<b>03175</b> Cab suspension rubber and mechanical	<b>00915</b> Side no glass / rear single glass
<b>01605</b> Cab suspension mechanical reinforced	<b>09101</b> Green tinted glass, heated
<b>09983</b> Fog lights	<b>03605</b> Mirror brackets, body 2.10-2.29 m
<b>09984</b> Fog lights and cornering lights	<b>09282</b> Mirror brackets, body 2.30-2.40 m
<b>06629</b> Two hazard beacon lights	<b>09283</b> Mirror brackets, body 2.40-2.50 m
<b>02083</b> Two hazard beacon lights LED	

## AERODYNAMICS

### Optional

<b>09286</b> Roof air deflector prepared	<b>07092</b> Adjustable roof air deflector low (set)
<b>06776</b> Adjustable roof air deflector	<b>09287</b> Side collars prepared
<b>07109</b> Adjustable roof air deflector high (set)	<b>07112</b> Side collars long (set)

## COLOURS

; Head lamp panel and bumper: Stone Grey; Cab steps and wing Stone Grey; Chassis colour grey..

### Optional

<b>06485</b> Head lamp panel and bumper: cab colour	<b>16153</b> Cab and chassis colours
<b>01109</b> Cab steps and wing in cab colour	

## CAB INTERIOR

Right-hand drive (RHD); Mechanically adjustable steering column; Driver seat: air suspended; Co-driver seat: fixed velour; Storage box on engine tunnel.

### Optional

<b>01846</b> Left-hand drive (LHD)	<b>16158</b> Seat types
<b>09271</b> Steering wheel, leather, colour black	<b>04246</b> Roof hatch, manual control
<b>03516</b> Pneumatically adjustable steering column	<b>04258</b> Roof hatch, electric control
<b>00967</b> Seat belts red	

## COMMUNICATION AND DRIVING MANAGEMENT

FMS connector, prepared; Tachograph digital, Stoneridge 1C version G2V2; Driver Performance Assistant.

### Optional

<b>16155</b> Audio equipment, makes and types
---

## SAFETY AND SECURITY

Speed limit recognition; DAF drowsiness detection; Drive-off Assist.

### Optional

<b>08631</b> Air bag (driver) and 2 seat belt tensioners	<b>01723</b> No reverse warning
<b>07414</b> Reverse warning with self-adjusting volume	

## SUSPENSION AND AXLES

Front axle type F48. Parabolic leaf suspension with shock absorbers and stabiliser. Max. load 4.5 tonnes.; Single reduction driven rear axle type SR8.22 with parabolic leaf suspension, including shock absorbers and stabiliser. Max. load 8.5 tonnes..

### Optional

<b>01636</b> Rear: 8.50 t, air suspension, SR8.22	<b>01372</b> Rear springs air
---	-------------------------------

## WHEELS AND TYRES

Front axle(s): 245/70R17.5; Driven rear axle(s): 245/70R17.5; Goodyear; Wheel protection rings silvergrey.

### Optional

<b>06764</b> Wheel protection rings black	<b>16152</b> Tyre makes and types
---	-----------------------------------

## DRIVELINE

Electric motor type EX-M1; 120 kW; Battery Electric Vehicle; Rear axle ratio 5.13.

### Optional

<b>02843</b> Mechanical differential lock
---

## BRAKE SYSTEM

### Optional

<b>09524</b> Park brake control with spoken warning
---

## CHASSIS

Wheelbase 4.65 m / rear overhang 2.75 m; Side member height 210 mm; Battery box LH rear, no spare wheel carrier; Battery pack H-type; 1 HV battery pack: L1, H-type; 1 HV battery pack; Spray suppression.

### Optional

<b>00566</b> Battery box LH rear, spare wheel carrier rear	<b>01696</b> 2 HV battery packs
<b>00585</b> Battery box LH rear, spare wheel carrier RH	<b>01623</b> Rear underrun protection
<b>04181</b> Battery pack C-type	<b>02011</b> Spare wheel carrier in rear overhang
<b>00703</b> 1 HV battery pack: R1, H-type	<b>07071</b> Spare wheel carrier right-hand side
<b>00684</b> 2 HV battery packs: L1+ R1, C-type	<b>03323</b> Rear light with LEDs
<b>00686</b> 2 HV battery packs: L1+ R1, H-type	

## DRAWBAR AND TRAILER EQUIPMENT

Closing member.

## BODIES AND PREPARATIONS FOR BODYING

Standard body attachment hole pattern.

### Optional

<b>09952</b> BodyBuilder Module (BBM) full	<b>01502</b> No side marker lights
--	------------------------------------

## 24V POWER SUPPLY

Batteries 2x 125 Ah..

### Optional

<b>01257</b> Batteries 2x140Ah	<b>08797</b> Batteries 2x175Ah
--------------------------------	--------------------------------

## GVM AND GCM

Chassis weight related technical GVM max 12000 kg; Driveline related technical GCM equal to GVM.

## APPLICATION CONDITIONS

### Optional

01282 Moderate climate

## VEHICLE DELIVERY

Standard toolkit.

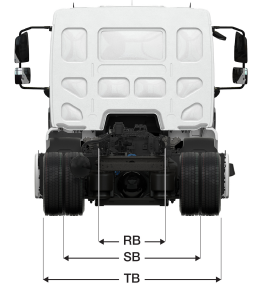
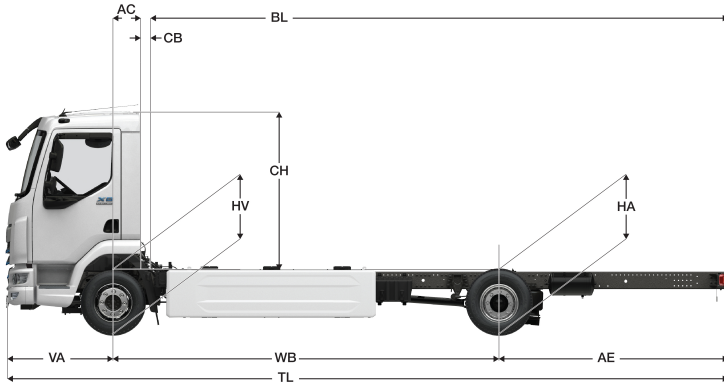
### Optional

06491 Toolkit Eastern Europe

Go to [DAF.com](https://www.daf.com) to configure your own perfect DAF.

# XB 120

FA 4X2 Rigid, 12t Electric



	Wheelbase - AE		Unladen weight <sup>1)</sup>			Gross Carrying Capacity			Variable dimensions									
	WB	AE <sup>5)</sup>	Front	Rear	Total	Front	Rear	Total	AC	CB <sup>6)</sup>	CH <sup>7)</sup>	BL <sup>8)</sup>	BL	TL	HA <sup>9)</sup>	HA <sup>10)</sup>	TK <sup>11)</sup>	TW <sup>12)</sup>
DAY CAB	4,30	2,43	3037	1802	4839	1443	6678	7161	0,32	0,21	1,87	5,80	6,87	8,02	0,85	0,83	13,62	15,01
	4,65	2,75	3073	1701	4773	1407	6779	7227	0,32	0,21	1,87	6,41	7,55	8,69	0,97	0,87	14,48	15,88
	5,00	2,83	3136	1701	4838	1344	6779	7162	0,32	0,21	1,87	7,05	8,29	9,12	0,97	0,88	15,34	16,76
	5,40	2,43	3200	1640	4840	1280	6840	7160	0,32	0,21	1,87	7,79	9,14	9,12	0,97	0,91	16,32	17,75
	5,70	2,41	3231	1611	4842	1249	6869	7158	0,32	0,21	1,87	8,33	9,75	9,40	0,97	0,92	17,06	18,50

OTHER DIMENSIONS      VA: 1,29    HV<sup>13)</sup>: 0,90    HV<sup>14)</sup>: 0,88    RB: 0,86    SB: 1,74    TB<sup>15)</sup>: 2,32

1) GVM in conformity with registration documents.  
 2) GCM in conformity with registration documents.  
 3) Axle load with standard tyre size.  
 4) Chassis and cab weight calculated with: Standard specification items only with 3 litres of fuel, 0 litres of AdBlue® and driver of 90 kg, tolerance ± 3%. Changing of the specification can have major impact on vehicle weight.  
 5) Other AE dimensions may be available for shown WB. Modify rear overhang to the calculated body length.  
 6) CB is based on standard air intake and/or exhaust.  
 7) Cab height is measured from frame member to closed cabin roof hatch.

8) Calculate customer specific body length with TOPEC. Body lengths shown based on evenly distributed load at max axle load.  
 9) Unladen height at centre of driven axle(s).  
 10) Laden height at centre of driven axle(s).  
 11) TK = turning circle between kerbs.  
 12) TW = turning circle between walls.  
 13) Unladen height at centre of front axle(s).  
 14) Laden height at centre of front axle(s).  
 15) TB is overall width at rear. (At centre of front axle 255).

Depending on the vehicle configuration a specific option may not be possible. The availability and specification of this vehicle may differ per country. For further information please contact the DAF organisation. Pictures and technical illustrations are not binding in detail and can differ from the standard specification. Subject to modification without prior notice.