

Specification sheet

XD 370

FAW 8X4 Rigid



ENGINES

- XD NewGen 370 MX-11 (270 kW / 367 hp)
- XD NewGen 410 MX-11 (300 kW / 408 hp)
- XD NewGen 450 MX-11 (330 kW / 449 hp)

GVM¹⁾

32000 kg

Max. front 9000 kg

Max. rear 23000 kg

GCM²⁾

43000 kg

016F0151WAAA - 202437D - 28-05-2024

DAF Trucks Ltd, UK, Haddenham, HP17 8LJ, www.daf.co.uk

OPTION PACKAGES

Optional

17448 Safety pack **17595** Executive Pack XD/XF

CAB EXTERIOR

Luxurious Day Cab with unrivalled aerodynamics for fuel efficient driving and low CO2 emissions. The huge and deep frontscreen, curved at the sides combined with large side windows offer an unsurpassed direct view for the driver, to enhance road safety. Cab length: 2030 mm; cab width: 2500 mm. Number of cab entrance steps: 2.; Cab suspension mechanical; LED head lights; DAF Corner View.

Optional

07018 Sleeper Cab **01836** LED Skylights
06244 Sleeper High Cab **00949** LED Skylights; aux. LED lights on cab rf, prepared
02889 Chassis front execution: no bottom plate **01925** Two LED work lamps for cab rear wall
02952 Chassis front execution: bottom plate aero **01891** Hazard beacons on cab front, prepared
03353 Chassis front execution: protruding **06629** Two hazard beacon lights
07586 Chassis front execution: robust **03232** Front windscreen with solar control foil
01226 Cab suspension air **03317** Rear window: double glass
03358 External sun visor **07343** Kerb view window co-driver door
03922 Fog lights front **01362** DAF Digital Vision System
00936 Auxiliary LED lights on cab roof, prepared

AERODYNAMICS

Optional

00008 Adj. roof air deflector short Sleeper High Cab **00082** Adj. roof air deflector for Day Cab
00124 Adj. rf air defl.long mid >4m(!) Sleeper High Cab **00097** Adj. roof air deflector for Sleeper Cab
01538 Adj. roof air defl. long high >4m(!) Sleeper High **00020** Adj. roof air deflector long low Sleeper High Cab
02662 Adj. roof air defl. long mid XD Sleeper High Cab

COLOURS

Cab colour E1980 Crystal White; Chassis colour grey.; Colour of bumper: Crystal White.

CAB INTERIOR

Cab interior trim colour: Luxury; Dashboard finish: Vision; Cab interior decoration: Hexagon; Driver seat: Comfort Air; Co-driver seat: cinema with fabric cover; No dashboard table; Storage compartment in centre; Automatic Temperature Control and aircoc; No auxiliary cab heater.

Optional

02354 Steering wheel with silver accents **02117** Third seat
02355 Steering wheel, leather **02837** Dashboard table
02353 Cab interior decoration: Argenta **03948** Single drawer
02350 Cab interior decoration: Natura **03954** Refrigerator
07733 Driver seat: Luxury Air **02838** Foam mattress for lower bunk
07736 Driver seat: Super Air **02854** Xtra Comfort mattress for lower bunk
07737 Driver seat: Xtra Leather Air **01775** Xtra Comfort mattress with topper for lower bunk
09541 Arm rest driver seat **06970** Automatic Cab Climate Control
01740 Arm rest at both sides of the driver seat

COMMUNICATION AND DRIVING MANAGEMENT

PACCAR Connect; Tachograph digital, Stoneridge 1C version G2V2; Speed limiter setting 85/90 km/h; DAF Infotainment Luxury with Luxury speakers; Adaptive Cruise Control (ACC) with FCW; Driver Performance Assistant.

Optional

09681 Preparation for Maut **09908** Cruise control
06211 DAF Infotainment System with FM/DAB/DAB+ radio **08023** Adaptive Cruise Control with FCW and AEBS-3
03470 DAF Infotainment System: Exclusive, prepared **06991** Predictive Cruise Control
01915 DAF Infotainment System: Luxury Plus

SAFETY AND SECURITY

Lane Departure Warning System; No vehicle stability control; Basic engine immobiliser system; No EC-ADR packages; DAF Side & Turn Assist.

Optional

08631 Air bag (driver) and 2 seat belt tensioners **00795** Safety regulations EC ADR

SUSPENSION AND AXLES

Front: 9.00 t, parabolic, 183N; Rear axle load 13.00+13.00 t; Rear: 34.00 t, air suspension, SR1360T; Trailing axle load 8.0t; Lifting device.

Optional

06095 Front axle load 10.00 t **08191** Axle load monitoring
07494 Rear axle HR1670T

WHEELS AND TYRES

Driven rear axle(s): 315/70R22.5; F1,385/55R22.5GO FMXSE 160/000 K Steering BBA 3P; R1,315/70R22.5GO FMXDE 154/150 L Traction BBA 3P; R2,315/70R22.5GO FMXSE 156/150 L Steering BBA 3P.

Optional

16152 Tyre makes and types

DRIVELINE

Engine MX-11, multi torque 6 cylinder diesel engine, 10.8 litres. Output 270 kW (367 hp) at 1600 rpm. Maximum torque 1950 Nm at 900-1125 rpm.; Exhaust emission Euro 6; Eco fuel; 12-speed TraXon 12TX2010 DD, 16.69-1.00; Gearbox ratio 16.69-1.00; Rear axle ratio 2.57.

Optional

07110 Eco performance **09638** Off-road applications
02314 Gearbox overdrive **01498** Off-road applications with Rock-free function
01514 Urge-to-move **03720** No ASR
09637 Liquid transport

BRAKE SYSTEM

MX Engine Brake; Ventilated disc brakes front and rear. Dual circuit air system with electronic control (EBS).Engine driven, water cooled aire compressor with automatic air h eated dryer..

Optional

09920 No MX Engine Brake **01497** Park brake control pneumatic with spoken warning
02715 ZF Intarder
01572 Park brake control electro-pneumatic **00929** Driven rear axle with drum brakes

CHASSIS

Wheelbase 4.55 m / rear overhang 2.05 m; Side member height 310 mm; Standard component location; 340 l alu fuel tank LH, height 620 mm; Tank for AdBlue® 45 l, left-hand side chassis; Front underrun protection (FUP); Spray suppression.

Optional

16157 Fuel tanks, material and sizes
03323 Rear light with LEDs

DRAWBAR AND TRAILER EQUIPMENT

Closing member.

Optional

07033 Trailer coupling Ringfeder D=13.7
08027 Trailer coupling Rockinger D=20.0
07034 Trailer coupling Ringfeder D=20.0
04659 Trailer cable EBS
08026 Trailer coupling Rockinger D=13.0

BODIES AND PREPARATIONS FOR BODYING

Application connector chassis.

Optional

09421 Additional spare wiring

POWER TAKE-OFF (PTO)

Optional

16148 PTO types and positions

24V POWER SUPPLY

Alternator 130 A, batteries 2x 140 Ah..

Optional

08775 Alternator 150 A
08797 Batteries 2x175Ah
07671 Batteries 2x210Ah AGM C-type
06440 Batteries 2x230Ah

GVM AND GCM

Chassis weight related technical GVM max 43000 kg; Driveline related max GCM 38000 kg class 2.

Optional

00209 Driveline related max GCM 40000 kg class 3
07279 Driveline related max GCM 60000 kg class 2
03673 Driveline related max GCM 44000 kg class 2
00818 Driveline related max GCM 60000 kg class 3
03675 Driveline related max GCM 50000 kg class 3
00157 Driveline related max GCM 61000 kg class 2
00778 Driveline related max GCM 58000 kg class 2

APPLICATION CONDITIONS

Air intake front.

Optional

02260 Extra cab insulation
03648 Cyclonic air intake high
06614 Anti-dust blow-up shield

SERVICE AND MAINTENANCE

Standard Warranty takes care of 1 year complete vehicle as supplied by the OEM (excl. real wear parts), 2nd year driveline and 1st year breakdown.; ITS service.

Optional

08311 Service interval extended

VEHICLE DELIVERY

Minimum toolkit.

Optional

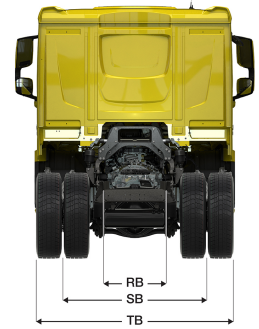
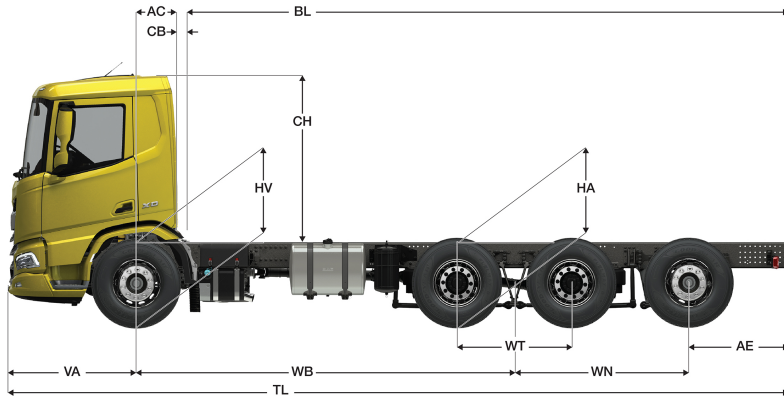
07569 Lifting jack



Go to [DAF.com](https://www.daf.com) to configure your own perfect DAF.

XD 370

FAW 8X4 Rigid



	Wheelbase - AE		Unladen weight ⁹⁾			Gross Carrying Capacity			Variable dimensions									
	WB	AE ⁵⁾	Front	Rear	Total	Front	Rear	Total	AC	CB ⁶⁾	CH	BL ⁷⁾	BL	TL	HA ⁸⁾	HA ⁹⁾	TK ¹⁰⁾	TW ¹¹⁾
DAY CAB	4,05	1,20	4996	4835	9831	4004	18164	22168	0,50	0,07	2,01	6,35	6,35	8,89	1,04	1,01	14,12	15,51
	4,30	2,05	4853	4852	9705	4147	18147	22294	0,50	0,07	2,01	6,70	6,70	9,99	1,04	1,01	14,77	16,17
	4,55	2,05	4909	4924	9834	4091	18076	22166	0,50	0,07	2,01	7,11	7,11	10,24	1,04	1,01	15,41	16,83
	4,90	2,05	4925	4965	9890	4075	18034	22109	0,50	0,07	2,01	7,67	7,67	10,59	1,04	1,01	16,33	17,75
	5,55	2,05	5096	5258	10353	3904	17742	21646	0,50	0,07	2,01	8,75	8,75	11,24	1,03	1,01	18,02	19,47
SLEEPER CAB	4,05	1,20	5099	4839	9937	3901	18161	22062	0,83	0,07	2,01	5,73	5,73	8,89	1,04	1,01	14,12	15,51
	4,30	2,05	4957	4855	9812	4043	18145	22188	0,83	0,07	2,01	6,07	6,07	9,99	1,04	1,01	14,76	16,17
	4,55	2,05	5013	4927	9940	3987	18073	22060	0,83	0,07	2,01	6,49	6,49	10,24	1,04	1,01	15,41	16,83
	4,90	2,05	5029	4968	9997	3971	18032	22003	0,83	0,07	2,01	7,06	7,06	10,59	1,04	1,01	16,33	17,75
	5,55	2,05	5200	5260	10460	3800	17739	21540	0,83	0,07	2,01	8,15	8,15	11,24	1,03	1,01	18,02	19,47
SLEEPER HIGH CAB	4,05	1,20	5129	4838	9967	3871	18162	22033	0,83	0,07	2,49	5,74	5,74	8,89	1,04	1,01	14,12	15,50
	4,30	2,05	4987	4854	9841	4013	18145	22158	0,83	0,07	2,49	6,08	6,08	9,99	1,04	1,01	14,76	16,17
	4,55	2,05	5043	4926	9970	3957	18073	22030	0,83	0,07	2,49	6,50	6,50	10,24	1,04	1,01	15,41	16,83
	4,90	2,05	5059	4968	10026	3941	18032	21973	0,83	0,07	2,49	7,07	7,07	10,59	1,04	1,01	16,33	17,75
	5,55	2,05	5230	5260	10490	3770	17740	21510	0,83	0,07	2,49	8,17	8,17	11,24	1,03	1,01	18,02	19,47

OTHER DIMENSIONS VA: 1,53 WT: 1,40 WN: 2,11 HV²⁾: 1,02 HV³⁾: 0,97 RB: 0,79 SB: 1,82 TB¹⁴⁾: 2,48

1) GVM in conformity with registration documents.
 2) GCM in conformity with registration documents.
 3) Axle load with standard tyre size.
 4) Chassis and cab weight calculated with: Standard specification items only with 340 litres of fuel, 45 litres of AdBlue® and driver of 90 kg, tolerance ± 3%. Changing of the specification can have major impact on vehicle weight.
 5) Other AE dimensions may be available for shown WB. Modify rear overhang to the calculated body length.
 6) CB is based on standard air intake and/or exhaust.
 7) Calculate customer specific body length with TOPEC. Body lengths shown based on evenly distributed load at max axle load.

8) Unladen height at centre of driven axle(s).
 9) Laden height at centre of driven axle(s).
 10) TK = turning circle between kerbs.
 11) TW = turning circle between walls.
 12) Unladen height at centre of front axle(s).
 13) Laden height at centre of front axle(s).
 14) TB is overall width at rear. (At centre of front axle 255).

Depending on the vehicle configuration a specific option may not be possible. The availability and specification of this vehicle may differ per country. For further information please contact the DAF organisation. Pictures and technical illustrations are not binding in detail and can differ from the standard specification. Subject to modification without prior notice.