

# Specification sheet

## XD 370

FAR 6X2 Rigid, Low Deck, single mounted trailing axle



### ENGINES

- XD NewGen 370 MX-11 (270 kW / 367 hp)
- XD NewGen 410 MX-11 (300 kW / 408 hp)
- XD NewGen 450 MX-11 (330 kW / 449 hp)

### GVM<sup>1)</sup>

26000 kg

Max. front 7500 kg

Max. rear 18999 kg

### GCM<sup>2)</sup>

38000 kg

016F0121DAAA - 202437D - 28-05-2024

DAF Trucks Ltd, UK, Haddenham, HP17 8LJ, [www.daf.co.uk](http://www.daf.co.uk)

## OPTION PACKAGES

### Optional

**17448** Safety pack **17595** Executive Pack XD/XF

## CAB EXTERIOR

Luxurious Day Cab with unrivalled aerodynamics for fuel efficient driving and low CO2 emissions. The huge and deep frontscreen, curved at the sides combined with large side windows offer an unsurpassed direct view for the driver, to enhance road safety. Cab length: 2030 mm; cab width: 2500 mm. Number of cab entrance steps: 2.; Cab suspension mechanical; LED head lights; DAF Corner View.

### Optional

**07018** Sleeper Cab **01836** LED Skylights  
**06244** Sleeper High Cab **00949** LED Skylights; aux. LED lights on cab rf, prepared  
**02952** Chassis front execution: bottom plate aero **01925** Two LED work lamps for cab rear wall  
**03353** Chassis front execution: protruding **01891** Hazard beacons on cab front, prepared  
**07586** Chassis front execution: robust **06629** Two hazard beacon lights  
**01226** Cab suspension air **03232** Front windscreen with solar control foil  
**03358** External sun visor **03317** Rear window: double glass  
**03922** Fog lights front **07343** Kerb view window co-driver door  
**00936** Auxiliary LED lights on cab roof, prepared **01362** DAF Digital Vision System

## AERODYNAMICS

### Optional

**00008** Adj. roof air deflector short Sleeper High Cab **00082** Adj. roof air deflector for Day Cab  
**00124** Adj. rf air defl.long mid >4m(!) Sleeper High Cab **00097** Adj. roof air deflector for Sleeper Cab  
**01538** Adj. roof air defl. long high >4m(!) Sleeper High **00020** Adj. roof air deflector long low Sleeper High Cab  
**02662** Adj. roof air defl. long mid XD Sleeper High Cab

## COLOURS

Cab colour E1980 Crystal White; Chassis colour grey.; Colour of bumper: Crystal White.

## CAB INTERIOR

Cab interior trim colour: Luxury; Dashboard finish: Vision; Cab interior decoration: Hexagon; Driver seat: Comfort Air; Co-driver seat: cinema with fabric cover; No dashboard table; Storage compartment in centre; Automatic Temperature Control and airco; No auxiliary cab heater.

### Optional

**02354** Steering wheel with silver accents **02117** Third seat  
**02355** Steering wheel, leather **02837** Dashboard table  
**02353** Cab interior decoration: Argenta **03948** Single drawer  
**02350** Cab interior decoration: Natura **03954** Refrigerator  
**07733** Driver seat: Luxury Air **02838** Foam mattress for lower bunk  
**07736** Driver seat: Super Air **02854** Xtra Comfort mattress for lower bunk  
**07737** Driver seat: Xtra Leather Air **01775** Xtra Comfort mattress with topper for lower bunk  
**09541** Arm rest driver seat **06970** Automatic Cab Climate Control  
**01740** Arm rest at both sides of the driver seat

## COMMUNICATION AND DRIVING MANAGEMENT

PACCAR Connect; Tachograph digital, Stoneridge 1C version G2V2; Speed limiter setting 85/90 km/h; DAF Infotainment Luxury with Luxury speakers; Adaptive Cruise Control with FCW and AEBS-3; Driver Performance Assistant.

### Optional

**09681** Preparation for Maut **03470** DAF Infotainment System: Exclusive, prepared  
**06211** DAF Infotainment System with FM/DAB/DAB+ radio **01915** DAF Infotainment System: Luxury Plus

## SAFETY AND SECURITY

Lane Departure Warning System; Vehicle Stability Control (VSC); Basic engine immobiliser system; No EC-ADR packages; DAF Side & Turn Assist.

### Optional

**08631** Air bag (driver) and 2 seat belt tensioners **00795** Safety regulations EC ADR

## SUSPENSION AND AXLES

Front: 8.00 t, air suspension, 161N; Rear axle load 11.50 t; Rear: 19.00 t, air suspension, SR1344; Trailing axle load 7.5t; No lifting device.

### Optional

**08191** Axle load monitoring

## WHEELS AND TYRES

Driven rear axle(s): 315/60R22.5; F1,315/60R22.5GO FMXSE 154/148 L Steering BBB 3P; R1,315/60R22.5GO GFDND 152/148 L Traction BBB 3P; R2,315/60R22.5GO FMXSE 154/148 L Steering BBB 3P.

### Optional

**16152** Tyre makes and types

## DRIVELINE

Engine MX-11, multi torque 6 cylinder diesel engine, 10.8 litres. Output 270 kW (367 hp) at 1600 rpm. Maximum torque 1950 Nm at 900-1125 rpm.; Exhaust emission Euro 6; Eco fuel; 12-speed TraXon 12TX2010 DD, 16.69-1.00; Gearbox ratio 16.69-1.00; Rear axle ratio 2.21.

### Optional

**07110** Eco performance **08371** Long Combination Vehicle (LCV)  
**01514** Urge-to-move **09638** Off-road applications  
**07101** Standard transport, Lite version **01498** Off-road applications with Rock-free function  
**09637** Liquid transport **02843** Mechanical differential lock

## BRAKE SYSTEM

Exhaust brake; Ventilated disc brakes front and rear. Dual circuit air system with electronic control (EBS). Engine driven, water cooled aire compressor with automatic air heated dryer..

### Optional

**09921** MX Engine Brake **01572** Park brake control electro-pneumatic  
**02715** ZF Intarder **01497** Park brake control pneumatic with spoken warning

## CHASSIS

Wheelbase 4.60 m / rear overhang 2.75 m; Side member height 260 mm; Standard component location; 450 l alu fuel tank LH, height 505 mm; Tank for AdBlue® 45 l, left-hand side chassis; Front underrun protection (FUP); Spray suppression.

### Optional

- 16157** Fuel tanks, material and sizes  
**03323** Rear light with LEDs  
**07071** Spare wheel carrier right-hand side

## DRAWBAR AND TRAILER EQUIPMENT

Closing member.

### Optional

- 07033** Trailer coupling Ringfeder D=13.7  
**08027** Trailer coupling Rockinger D=20.0  
**07034** Trailer coupling Ringfeder D=20.0  
**04659** Trailer cable EBS  
**08026** Trailer coupling Rockinger D=13.0

## BODIES AND PREPARATIONS FOR BODYING

Application connector chassis.

### Optional

- 09421** Additional spare wiring  
**08121** Tail lift application

## POWER TAKE-OFF (PTO)

### Optional

- 16148** PTO types and positions

## 24V POWER SUPPLY

Alternator 110 A, batteries 2x 140 Ah..

### Optional

- 04492** Alternator 130 A  
**08775** Alternator 150 A  
**08797** Batteries 2x175Ah  
**07671** Batteries 2x210Ah AGM C-type  
**06440** Batteries 2x230Ah

## GVM AND GCM

Chassis weight related technical GVM max 27000 kg; Driveline related max GCM 38000 kg class 2.

### Optional

- 00209** Driveline related max GCM 40000 kg class 3  
**03675** Driveline related max GCM 50000 kg class 3  
**03673** Driveline related max GCM 44000 kg class 2

## APPLICATION CONDITIONS

Air intake front.

### Optional

- 02260** Extra cab insulation  
**03648** Cyclonic air intake high  
**06614** Anti-dust blow-up shield

## SERVICE AND MAINTENANCE

Standard Warranty takes care of 1 year complete vehicle as supplied by the OEM (excl. real wear parts), 2nd year driveline and 1st year breakdown.; ITS service.

### Optional

- 08311** Service interval extended

## VEHICLE DELIVERY

Minimum toolkit.

### Optional

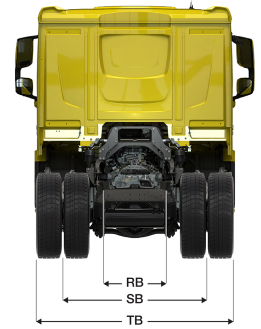
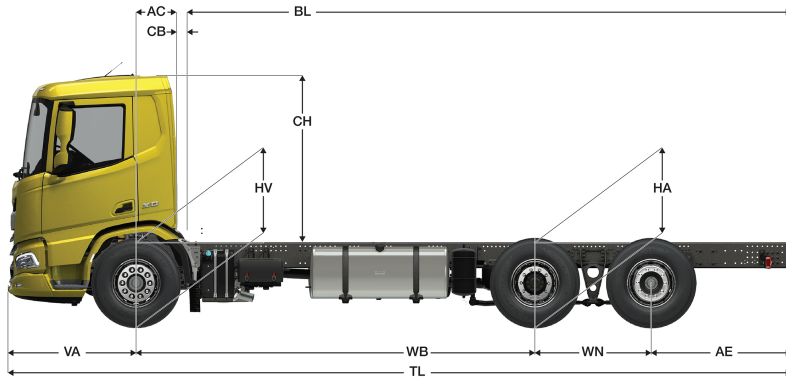
- 07569** Lifting jack



Go to [DAF.com](https://www.daf.com) to configure your own perfect DAF.

# XD 370

## FAR 6X2 Rigid, Low Deck, single mounted trailing axle



	Wheelbase - AE		Unladen weight <sup>1)</sup>			Gross Carrying Capacity			Variable dimensions									
	WB	AE <sup>5)</sup>	Front	Rear	Total	Front	Rear	Total	AC	CB <sup>6)</sup>	CH	BL <sup>7)</sup>	BL	TL	HA <sup>8)</sup>	HA <sup>9)</sup>	TK <sup>10)</sup>	TW <sup>11)</sup>
DAY CAB	4,60	2,75	4982	3309	8292	2518	15689	17708	0,50	0,07	2,06	7,62	7,62	10,28	0,89	0,89	17,00	18,44
	4,80	2,90	4988	3384	8372	2512	15615	17628	0,50	0,07	2,06	7,94	7,94	10,63	0,89	0,89	17,52	18,97
	5,05	2,90	4991	3404	8394	2509	15595	17606	0,50	0,07	2,06	8,37	8,37	10,88	0,89	0,89	18,18	19,63
	5,30	2,90	4995	3423	8418	2505	15576	17582	0,50	0,07	2,06	8,80	8,80	11,13	0,89	0,89	18,83	20,30
SLEEPER CAB	4,60	2,75	5086	3312	8398	2414	15687	17602	0,83	0,07	2,06	7,01	7,01	10,28	0,89	0,89	17,00	18,44
	4,80	2,90	5092	3386	8478	2408	15613	17522	0,83	0,07	2,06	7,34	7,34	10,63	0,89	0,89	17,52	18,97
	5,05	2,90	5095	3405	8500	2405	15593	17500	0,83	0,07	2,06	7,76	7,76	10,88	0,89	0,89	18,18	19,63
	5,30	2,90	5100	3425	8524	2400	15574	17476	0,83	0,07	2,06	8,20	8,20	11,13	0,89	0,89	18,83	20,30
SLEEPER HIGH CAB	4,60	2,75	5116	3311	8427	2384	15688	17573	0,83	0,07	2,54	7,02	7,02	10,28	0,89	0,89	17,00	18,44
	4,80	2,90	5122	3386	8508	2378	15613	17492	0,83	0,07	2,54	7,35	7,35	10,63	0,89	0,89	17,52	18,97
	5,05	2,90	5125	3405	8530	2375	15594	17470	0,83	0,07	2,54	7,78	7,78	10,88	0,89	0,89	18,18	19,63
	5,30	2,90	5130	3424	8554	2370	15574	17446	0,83	0,07	2,54	8,22	8,22	11,13	0,89	0,89	18,83	20,30

OTHER DIMENSIONS	VA: 1,53	WN: 1,40	HV <sup>12)</sup> : 0,89	HV <sup>13)</sup> : 0,88	RB: 0,79	SB: 1,82	TB <sup>14)</sup> : 2,48
------------------	----------	----------	--------------------------	--------------------------	----------	----------	--------------------------

1) GVM in conformity with registration documents.  
 2) GCM in conformity with registration documents.  
 3) Axle load with standard tyre size.  
 4) Chassis and cab weight calculated with: Standard specification items only with 450 litres of fuel, 45 litres of AdBlue® and driver of 90 kg, tolerance ± 3%. Changing of the specification can have major impact on vehicle weight.  
 5) Other AE dimensions may be available for shown WB. Modify rear overhang to the calculated body length.  
 6) CB is based on standard air intake and/or exhaust.  
 7) Calculate customer specific body length with TOPEC. Body lengths shown based on evenly distributed load at max axle load.

8) Unladen height at centre of driven axle (trailing axle down).  
 9) Laden height at centre of driven axle(s).  
 10) TK = turning circle between kerbs.  
 11) TW = turning circle between walls.  
 12) Unladen height at centre of front axle(s).  
 13) Laden height at centre of front axle(s).  
 14) TB is overall width at rear. (At centre of front axle 255).

Depending on the vehicle configuration a specific option may not be possible. The availability and specification of this vehicle may differ per country. For further information please contact the DAF organisation. Pictures and technical illustrations are not binding in detail and can differ from the standard specification. Subject to modification without prior notice.