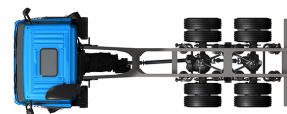


# Specification sheet

# CF 300

FAT 6X4 Rigid



## ENGINES

CF 300 MX-11 (220 kW / 299 hp)

CF 340 MX-11 (251 kW / 341 hp)

## GVM<sup>1)</sup>

26000 kg

## GCM<sup>2)</sup>

32000 kg

Max. front 7500 kg

Max. rear 19000 kg

016F7741AAAA - 202217B - 14-01-2022

DAF Trucks Ltd, UK, Haddenham, HP17 8LJ, [www.daf.co.uk](http://www.daf.co.uk)

## CAB EXTERIOR

Day Cab with galvanised steel bumper, tinted glass and electric window openers. Main mirrors and wide angle mirrors electrically heated. Cab width 2300 mm.; LED daytime running lights; Electrically adjustable mirrors; Front view mirror.

Optional

02106 Sleeper Cab	09983 Fog lights
01137 Space Cab	09984 Fog lights and cornering lights
01226 Cab suspension air	06593 Skylights
01174 External sun visor green translucent	06628 One hazard beacon light at co-driver side
00847 Air horns, single set	06627 One hazard beacon light at driver side
09006 Air horns, double set	06629 Two hazard beacon lights
08020 LED head lights	

## AERODYNAMICS

Optional

06776 Adjustable roof air deflector	04906 Side collars
-------------------------------------	--------------------

## COLOURS

Cab colour H3279 Brilliant White; Head lamp panel and bumper: Brilliant White; Chassis colour grey..

Optional

06485 Head lamp panel and bumper: cab colour	09933 Head lamp panel and bumper: Stone Grey
--	--

## CAB INTERIOR

Cab interior trim colour Dark Sand; Cab interior decoration Black Rock; Driver seat: Comfort Air; Co-driver seat: basic; Automatic Temperature Control and airco; Pollen filter; Roof hatch glass, manual control.

Optional

09271 Steering wheel, leather, colour black	07746 Co-driver seat: Super Air
07240 Steering wheel, leather, Exclusive	07748 Co-driver seat: Xtra Leather Air
07152 Cab interior trim colour Exclusive	00967 Seat belts red
07592 Cab interior decoration Argenta	02117 Third seat
07591 Cab interior decoration Rustica	06539 Refrigerator
07733 Driver seat: Luxury Air	06783 Lower bunk foam mattress
07736 Driver seat: Super Air	06784 Lower bunk mattress Xtra Comfort
07737 Driver seat: Xtra Leather Air	06676 PL light in cab ceiling
07741 Co-driver seat: Comfort Air	06970 Automatic Cab Climate Control
07743 Co-driver seat: Luxury Air	

## COMMUNICATION AND DRIVING MANAGEMENT

Tachograph digital, Stoneridge 1C; Speed limiter setting 85 km/h; Eco off 90 km/h; Antennas: radio, 2x cellular, GNSS; Adaptive Cruise Control with FCW and AEBS-3.

Optional

09681 Preparation for Maut	07261 TruckPhone
08450 Luxury speaker system with 6 speakers	06991 Predictive Cruise Control
07117 Radio/USB player, 2 speakers	

## SAFETY AND SECURITY

Lane Departure Warning System; Vehicle Stability Control (VSC); Basic engine immobiliser system.

Optional

08631 Air bag (driver) and 2 seat belt tensioners	09827 Side camera system
09828 Front camera system	01725 Reverse warning

## SUSPENSION AND AXLES

Front axle load 8.00 t; Rear: 2x 9.50 t, trapezium, SR1132T.

Optional

06257 Front axle load 9.00 t	04549 Rear axle load 10.50+ 10.50 t
07494 Rear axle HR1670T	04563 Rear axle load 13.00+ 13.00 t
02788 Rear axle SR1360T	08191 Axle load monitoring
01372 Rear springs air	

## WHEELS AND TYRES

Front axle(s): 295/80R22.5; Driven rear axle(s): 295/80R22.5; Second driven rear or trailing axle: 295/80R22.5; Disc wheels steel, silvergrey; Wheel protection rings silvergrey.

Optional

16152 Tyre makes and types
----------------------------

## DRIVELINE

Engine MX-11, 6 cylinder diesel engine, 10.8 litres. Output 220 kW (299 hp) at 1675 rpm. Max. torque 1350 Nm at 900-1400 rpm.; Exhaust emission Euro 6; Engine idle shutdown, 5 minutes; Automated gearbox, TraXon, 12 speeds; Gearbox ratio 12.92-0.77; Rear axle ratio 4.10.

Optional

04393 Manual gearbox, 9 speeds	04523 Manual gearbox, 16 speeds
--------------------------------	---------------------------------

## BRAKE SYSTEM

Ventilated disc brakes at front, rear tandem axle with drum brakes. Dual circuit air system with electronic control (EBS). Twin cylinder air compressor with heated dryer and economy mode..

Optional

09921 MX Engine Brake	02715 ZF Intarder
-----------------------	-------------------

## CHASSIS

Wheelbase 4.55 m / rear overhang 1.65 m; Side member height 310 mm; Standard component location; Exhaust pipe horizontal, low; Steel fuel tank 300 l, height 580 mm; Tank for AdBlue® 45 l, left-hand side chassis; Front underrun protection (FUP); Spray suppression.

Optional

06611 Exhaust pipe vertical, high	03323 Rear light with LEDs
07070 Spare wheel carrier left-hand side	

## DRAWBAR AND TRAILER EQUIPMENT

Closing member.

Optional

07033 Trailer coupling Ringfeder D=13.7	07029 D-value cross member D=13.7
07034 Trailer coupling Ringfeder D=20.0	07032 D-value cross member D=20
08026 Trailer coupling Rockinger D=13.0	04486 Tipper cross member
08027 Trailer coupling Rockinger D=20.0	

## BODIES AND PREPARATIONS FOR BODYING

Application connector on the cab front.

## POWER TAKE-OFF (PTO)

Optional

16148 PTO types and positions

## ELECTRICAL POWER SUPPLY

Alternator 80 A, batteries 2x 140 Ah..

Optional

06460 Alternator 120 A	07671 Batteries 2x210Ah AGM C-type
08775 Alternator 150 A	
08797 Batteries 2x175Ah	06440 Batteries 2x230Ah

## GVM AND GCM

Chassis weight related technical GVM max 26000 kg; Driveline related max GCM 32000 kg class 2.

Optional

03027 Driveline related max GCM 32000 kg class 3	00209 Driveline related max GCM 40000 kg class 3
00200 Driveline related max GCM 38000 kg class 2	

## APPLICATION CONDITIONS

Air intake on the cab roof.

Optional

09961 Cyclonic air intake behind the cab

## SERVICE AND MAINTENANCE

Standard Warranty takes care of 1 year complete vehicle, 2nd year driveline and 1st year breakdown.; ITS service.

Optional

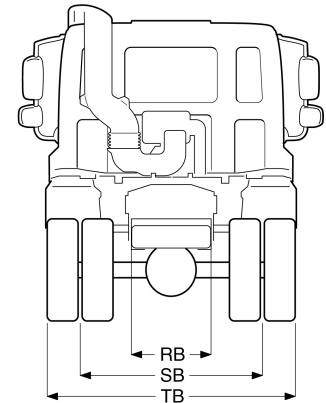
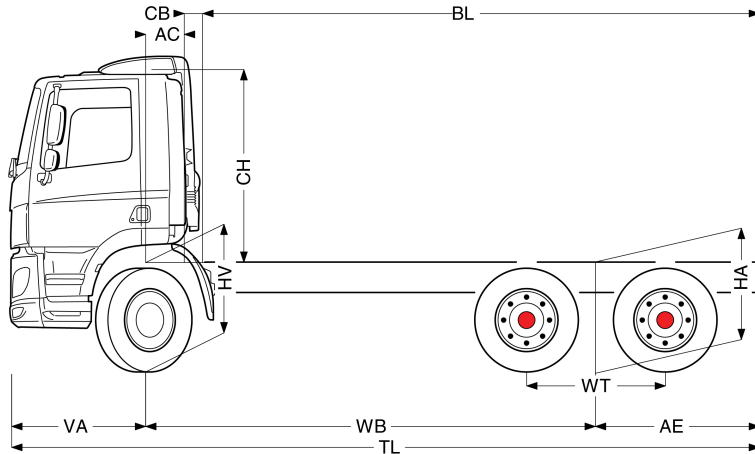
08311 Service interval extended



Go to [DAF.com](https://www.daf.com) to configure your own perfect DAF.

# CF 300

FAT 6X4 Rigid



	Wheelbase - AE		Unladen weight <sup>1)</sup>			Gross Carrying Capacity			Variable dimensions									
	WB	AE <sup>5)</sup>	Front	Rear	Total	Front	Rear	Total	AC	CB <sup>6)</sup>	CH <sup>7)</sup>	BL <sup>8)</sup>	BL	TL	HA <sup>9)</sup>	HA <sup>10)</sup>	TK <sup>11)</sup>	TW <sup>12)</sup>
DAY CAB	4,05	1,65	4885	3976	8861	2615	15024	17139	0,39	0,18	1,94	5,73	5,96	7,07	1,17	1,13	14,15	15,51
	4,55	1,65	4809	3444	8252	2691	15556	17748	0,39	0,18	1,94	6,58	6,83	7,57	1,17	1,12	15,44	16,83
	5,00	1,65	5088	3976	9065	3912	15024	16935	0,39	0,18	1,94	6,56	7,73	8,02	1,15	1,11	16,59	17,98
	5,55	3,20	5118	4429	9547	3882	14571	16453	0,39	0,18	1,94	7,35	8,68	10,12	1,15	1,11	18,03	19,44
SLEEPER CAB	4,05	1,65	4929	3988	8916	2571	15012	17084	0,82	0,16	1,94	4,92	5,15	7,07	1,17	1,13	14,15	15,51
	4,55	1,65	4854	3454	8308	2646	15546	17692	0,82	0,16	1,94	5,78	6,03	7,57	1,17	1,12	15,44	16,83
	5,00	1,65	5139	3985	9124	3861	15015	16876	0,82	0,16	1,94	5,76	6,94	8,02	1,15	1,11	16,59	17,98
	5,55	3,20	5169	4437	9606	3831	14563	16394	0,82	0,16	1,94	6,55	7,89	10,12	1,15	1,11	18,03	19,44
SPACE CAB	4,05	1,65	5041	3987	9028	2459	15013	16972	0,82	0,16	2,62	4,97	5,20	7,07	1,17	1,13	14,15	15,51
	4,55	1,65	4966	3453	8420	2534	15547	17580	0,82	0,16	2,62	5,83	6,08	7,57	1,17	1,12	15,44	16,83
	5,00	1,65	5251	3986	9236	3749	15014	16764	0,82	0,16	2,62	5,81	6,99	8,02	1,15	1,11	16,59	17,98
	5,55	3,20	5281	4437	9718	3719	14563	16282	0,82	0,16	2,62	6,61	7,96	10,12	1,15	1,11	18,03	19,44
OTHER DIMENSIONS			VA: 1,37 WT: 1,40 HV <sup>13)</sup> : 1,03 HV <sup>14)</sup> : 0,93 RB: 0,79 SB: 1,82 TB <sup>15)</sup> : 2,45															

- GVM in conformity with registration documents.
- GCM in conformity with registration documents.
- Axle load with standard tyre size.
- Chassis and cab weight calculated with: Standard specification items only with 300 litres of fuel, 45 litres of AdBlue® and driver of 90 kg, tolerance ± 3%. Changing of the specification can have major impact on vehicle weight.
- Other AE dimensions may be available for shown WB. Modify rear overhang to the calculated body length.
- CB is based on standard air intake and/or exhaust.
- Cab height is measured from frame member to closed cab roof hatch. With air intake on cab roof add: 0.14 m (for MX-11); add 0.21 m for MX-13.

- Calculate customer specific body length with TOPEC. Body lengths shown based on evenly distributed load at max axle load.
- Unladen height at centre of driven axle(s).
- Laden height at centre of driven axle(s).
- TK = turning circle between kerbs.
- TW = turning circle between walls.
- Unladen height at centre of front axle(s).
- Laden height at centre of front axle(s).
- TB is overall width at rear. (At lower cab step 255).

Depending on the vehicle configuration a specific option may not be possible. The availability and specification of this vehicle may differ per country. For further information please contact the DAF organisation. Pictures and technical illustrations are not binding in detail and can differ from the standard specification. Subject to modification without prior notice.