

## Specification sheet

# LF 180

FA 4X2 Rigid, 08t Chassis/Body



### ENGINES

LF 180 PX-5 (135 kW / 184 hp)

LF 210 PX-5 (157 kW / 213 hp)

LF 230 PX-7 (172 kW / 234 hp)

### GVM<sup>1)</sup>

7500 kg

### GCM<sup>2)</sup>

7500 kg

Max. front 3600 kg

Max. rear 5000 kg

016F3602CAAA - 2021371 - 11-06-2021

DAF Trucks Ltd, UK, Haddenham, HP17 8LJ, [www.daf.co.uk](http://www.daf.co.uk)

## CAB EXTERIOR

Day Cab with steel bumper, tinted glass and electric window openers. Main mirrors and wide angle mirrors electrically heated. Cab width 2130 mm.; Green tinted glass; Electrically adjustable mirrors; Mirror brackets, body 2.50-2.60 m; Front view mirror.

Optional

02576	Extended Day Cab	07343	Kerb view window co-driver door
02106	Sleeper Cab		
01173	Cab suspension mechanical	00915	Side no glass / rear single glass
01605	Cab suspension mechanical reinforced	09101	Green tinted glass, heated
09983	Fog lights	09282	Mirror brackets, body 2.30-2.40 m
09984	Fog lights and cornering lights	09283	Mirror brackets, body 2.40-2.50 m

## AERODYNAMICS

Optional

09287	Side collars prepared	03574	Side collars for aerodynamic body
04906	Side collars	07093	Side collars short (set)

## COLOURS

; Head lamp panel and bumper: Stone Grey; Chassis colour grey..

Optional

06485	Head lamp panel and bumper: cab colour	01303	Curtain colour 557 blue, panels white
04674	Body panels standard white	01340	Curtain colour 602 green, panels white
01238	Curtain colour 907 white, panels white	01344	Curtain colour 763 grey, panels white
01241	Curtain colour 148 yellow, panels white	01350	Curtain colour 905 black, panels white
01298	Curtain colour 356 red, panels white	16153	Cab and chassis colours

## CAB INTERIOR

Right-hand drive (RHD); Mechanically adjustable steering column; Driver seat: air suspended; Co-driver seat: fixed velour; Storage box on engine tunnel.

Optional

09271	Steering wheel, leather, colour black	02213	Air conditioning
03516	Pneumatically adjustable steering column	03703	Auxiliary cab heater Air Top 2000
00967	Seat belts red	04246	Roof hatch, manual control
16158	Seat types	04258	Roof hatch, electric control
04346	Lower bunk, normal level		

## COMMUNICATION AND DRIVING MANAGEMENT

FMS connector, prepared; Tachograph digital, Stoneridge 1C; Adaptive Cruise Control with FCW and AEBS-CM2.

Optional

16155	Audio equipment, makes and types	07261	TruckPhone
-------	----------------------------------	-------	------------

## SAFETY AND SECURITY

Lane Departure Warning System; Vehicle Stability Control (VSC); Basic engine immobiliser system.

Optional

08631	Air bag (driver) and 2 seat belt tensioners	06634	Immobiliser 5 minutes and alarm (SCM BV03-B2)
01725	Reverse warning	06635	Immobiliser 15 minutes and alarm (SCM BV03-B3)
07414	Reverse warning with self-adjusting volume		
06633	Immobiliser 5 minutes (SCM BV03-B1)	16156	EC-ADR packages

## SUSPENSION AND AXLES

Front: 3.60 t, parabolic, F36; Rear: 5.00 t, parabolic, SR5.14.

Optional

01372	Rear springs air	08031	Rear springs parabolic, Heavy Duty
-------	------------------	-------	------------------------------------

## WHEELS AND TYRES

Front axle(s): 215/75R17.5; Driven rear axle(s): 215/75R17.5; Wheel protection rings silvergrey.

Optional

06764	Wheel protection rings black	16152	Tyre makes and types
-------	------------------------------	-------	----------------------

## DRIVELINE

; Exhaust emission Euro 6; Engine idle shutdown, 5 minutes; Manual gearbox, 6 speeds; Gearbox ratio 6.58-0.78; Rear axle ratio 3.73.

Optional

08834	AS Tronic gearbox, 6 speeds
-------	-----------------------------

## BRAKE SYSTEM

Exhaust brake.

## CHASSIS

Wheelbase 4.30 m / rear overhang 2.32 m; Side member height 210 mm; EAS unit right, discharge right rearward; Plastic fuel tank 110 l; Tank for AdBlue® 25 l, right-hand side chassis; Spray suppression.

Optional

03323	Rear light with LEDs
-------	----------------------

## DRAWBAR AND TRAILER EQUIPMENT

Closing member.

Optional

04661	D-value cross member D= 8.5
-------	-----------------------------

## BODIES AND PREPARATIONS FOR BODYING

No BodyBuilder Module (BBM); Application connector on the cab front; Standard body attachment hole pattern.

#### Optional

09952	BodyBuilder Module (BBM) full	02702	Standard body floor
00126	Body attachment BAM 1, consoles type B	02698	Body floor with 3 mm aluminium tread plate
02357	Box body	02717	Aluminium kick strips, front and sides 228 mm
01890	Curtain sider body	02712	Aluminium kick strips, front 228 mm
03562	Aerobody	02727	Galvanised kick strips, front and sides 200 mm
02615	External body length 5150 mm	02728	Plywood kick strips, front and sides 300 mm
02622	External body length 6100 mm	02738	Plywood kick strips, front 1200 mm, sides 300 mm
02650	External body length 6810 mm	04650	Rear wide lath shutter door
01049	External body width 2350 mm	04662	Rear double doors
04619	External body width 2480 mm	02726	Single, hinged side door at front left-hand side
01403	GRP faced plywood panels	02718	Side roller shutter door
02694	Light weight box panels	04637	Column tail lift
00067	Contour markings	04640	Tuck-under tail lift

#### POWER TAKE-OFF (PTO)

##### Optional

16148 PTO types and positions

#### ELECTRICAL POWER SUPPLY

Alternator 80 A, batteries 2x 125 Ah..

##### Optional

01897 Alternator 100 A                      08797 Batteries 2x175Ah

#### GVM AND GCM

Chassis weight related technical GVM max 7500 kg; Driveline related technical GCM equal to GVM.

##### Optional

03428	Driveline related max GCM 16000 kg	03700	Driveline related technical GCM = GVM+ 3500 kg
00054	Driveline related max GCM 18000 kg		

#### APPLICATION CONDITIONS

Moisture separator, unheated; Air intake low.

##### Optional

02270	Cold climate	04987	Radiator flyscreen
04767	Moisture separator, heated		

#### SERVICE AND MAINTENANCE

Warranty Plus - 1 Year Vehicle & 3 Year Driveline - takes care of all warrantable repairs on the vehicle for one year and on the driveline for second and third years together with associated breakdown coverage.; DAF 2 year Preventive Maintenance Package - 320k.

#### VEHICLE DELIVERY

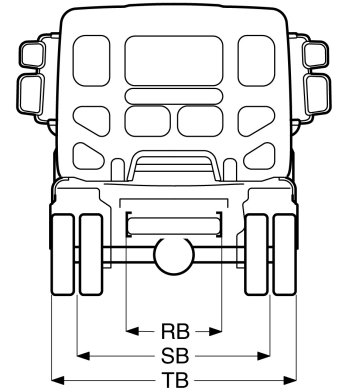
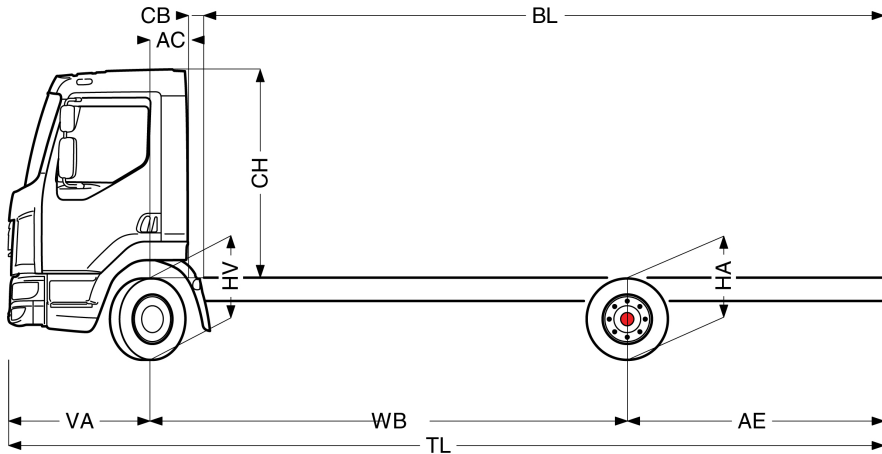
Standard toolkit.



Go to [DAF.com](http://DAF.com) to configure your own perfect DAF.

# LF 180

FA 4X2 Rigid, 08t Chassis/Body



	Wheelbase - AE		Unladen weight <sup>1)</sup>			Gross Carrying Capacity			Variable dimensions									
	WB	AE <sup>5)</sup>	Front	Rear	Total	Front	Rear	Total	AC	CB <sup>6)</sup>	CH <sup>7)</sup>	BL <sup>8)</sup>	BL	TL	HA <sup>9)</sup>	HA <sup>10)</sup>	TK <sup>11)</sup>	TW <sup>12)</sup>
DAY CAB	3,55	1,87	2469	902	3372	1131	4098	4128	0,33	0,13	1,84	4,24	6,13	6,70	0,91	0,78	11,75	13,12
	3,90	2,12	2469	910	3379	1131	4090	4121	0,33	0,13	1,84	4,74	6,81	7,30	0,91	0,78	12,61	13,99
	4,30	2,32	2484	928	3412	1116	4072	4088	0,33	0,13	1,84	5,34	7,65	7,90	0,91	0,78	13,58	14,99
	4,65	2,65	2495	955	3450	1105	4045	4050	0,33	0,13	1,84	5,85	8,37	8,58	0,90	0,78	14,44	15,86
SLEEPER CAB	3,55	1,87	2607	879	3486	993	4121	4014	0,73	0,15	1,87	3,59	5,53	6,70	0,91	0,77	11,75	13,12
	3,90	2,12	2616	900	3516	984	4100	3984	0,73	0,15	1,87	4,12	6,27	7,30	0,91	0,77	12,61	13,99
	4,30	2,32	2617	907	3524	983	4093	3976	0,73	0,15	1,87	4,72	7,09	7,90	0,91	0,78	13,58	14,99
	4,65	2,65	2634	943	3577	966	4057	3923	0,73	0,15	1,87	5,26	7,85	8,58	0,91	0,77	14,44	15,86

**OTHER DIMENSIONS**

VA: 1,28 HV<sup>13)</sup>: 0,78 HV<sup>14)</sup>: 0,73 RB: 0,86 SB: 1,74 TB<sup>15)</sup>: 2,20

- GVM in conformity with registration documents.
- GCM in conformity with registration documents.
- Axle load with standard tyre size.
- Chassis and cab weight calculated with: Standard specification items only with 110 litres of fuel, 25 litres of AdBlue® and driver of 90 kg, tolerance ± 3%. Changing of the specification can have major impact on vehicle weight.
- Other AE dimensions may be available for shown WB. Modify rear overhang to the calculated body length.
- CB is based on standard air intake and/or exhaust.
- Cab height is measured from frame member to closed cabin roof hatch.

- Calculate customer specific body length with TOPEC. Body lengths shown based on evenly distributed load at max axle load.
- Unladen height at centre of driven axle(s).
- Laden height at centre of driven axle(s).
- TK = turning circle between kerbs.
- TW = turning circle between walls.
- Unladen height at centre of front axle(s).
- Laden height at centre of front axle(s).
- TB is overall width at rear. (At centre of front axle 255).

Depending on the vehicle configuration a specific option may not be possible. The availability and specification of this vehicle may differ per country. For further information please contact the DAF organisation. Pictures and technical illustrations are not binding in detail and can differ from the standard specification. Subject to modification without prior notice.