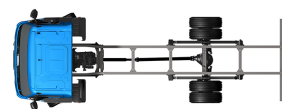


# Specification sheet

# LF 180

FA 4X2 Rigid, 16t RoadSweeper



## ENGINES

- LF 180 PX-5 (135 kW / 184 hp)
- LF 210 PX-5 (157 kW / 213 hp)
- LF 230 PX-7 (172 kW / 234 hp)

## GVM<sup>1)</sup>

16000 kg

Max. front 6000 kg

Max. rear 10500 kg

## GCM<sup>2)</sup>

16000 kg

016F4602BCAA - 202217B - 14-01-2022

DAF Trucks Ltd, UK, Haddenham, HP17 8LJ, [www.daf.co.uk](http://www.daf.co.uk)

## CAB EXTERIOR

Day Cab with steel bumper, tinted glass and electric window openers. Main mirrors and wide angle mirrors electrically heated. Cab width 2130 mm.; Green tinted glass; Electrically adjustable mirrors; Mirror brackets, body 2.50-2.60 m; Front view mirror.

Optional

09983	Fog lights	09101	Green tinted glass, heated
09984	Fog lights and cornering lights	09282	Mirror brackets, body 2.30-2.40 m
07343	Kerb view window co-driver door	09283	Mirror brackets, body 2.40-2.50 m
00915	Side no glass / rear single glass		

## COLOURS

; Head lamp panel and bumper: Stone Grey; Chassis colour grey..

Optional

06150	Solid cab colour	04431	Special metallic cab colour
00061	Special solid cab colour	06485	Head lamp panel and bumper: cab colour
06151	Cab metallic colour	16153	Cab and chassis colours

## CAB INTERIOR

Mechanically adjustable steering column; Driver seat: air suspended; Co-driver seat: fixed velour; Storage box on engine tunnel.

Optional

09271	Steering wheel, leather, colour black	09106	Dual mate seat, luxury version
03516	Pneumatically adjustable steering column	00967	Seat belts red
00072	Dual mate seat, velour	02213	Air conditioning
02600	Co-driver seat: air suspended	04246	Roof hatch, manual control

## COMMUNICATION AND DRIVING MANAGEMENT

FMS connector, prepared; Tachograph digital, Stoneridge 1C; Adaptive Cruise Control with FCW and AEBS-3.

Optional

16155	Audio equipment, makes and types	07261	TruckPhone
-------	----------------------------------	-------	------------

## SAFETY AND SECURITY

Lane Departure Warning System; Vehicle Stability Control (VSC); Basic engine immobiliser system.

Optional

08631	Air bag (driver) and 2 seat belt tensioners	06634	Immobiliser 5 minutes and alarm (SCM BV03-B2)
01725	Reverse warning	06635	Immobiliser 15 minutes and alarm (SCM BV03-B3)
07414	Reverse warning with self-adjusting volume	16156	EC-ADR packages
06633	Immobiliser 5 minutes (SCM BV03-B1)		

## SUSPENSION AND AXLES

Front: 6.00 t, parabolic, F60; Rear: 10.50 t, asymmetric parabolic, SR10.26.

Optional

06412	Rear axle load	9.80 t
-------	----------------	--------

## WHEELS AND TYRES

Front axle(s): 285/70R19.5; Driven rear axle(s): 285/70R19.5; Wheel protection rings silvergrey.

Optional

06764	Wheel protection rings black	16152	Tyre makes and types
-------	------------------------------	-------	----------------------

## DRIVELINE

Engine PX-5, 4 cylinder diesel engine, 4.5 litres. Output 135 kW (184 hp) at 2300 rpm. Max. torque 750 Nm at 1100-1600 rpm.; Exhaust emission Euro 6; No engine idle shutdown; Manual gearbox, 6 speeds; Gearbox ratio 6.75-0.78; Rear axle ratio 5.13.

Optional

04393	Manual gearbox, 9 speeds	02313	Gearbox direct drive
-------	--------------------------	-------	----------------------

## BRAKE SYSTEM

Exhaust brake.

## CHASSIS

Wheelbase 3.26 m / rear overhang 1.00 m; Side member height 270 mm; DPF/SCR unit behind the cab, vertical discharge; Steel fuel tank 95 l; Tank for AdBlue® 25 l, left behind the cab; Spray suppression.

Optional

03323	Rear light with LEDs
-------	----------------------

## DRAWBAR AND TRAILER EQUIPMENT

Closing member.

## BODIES AND PREPARATIONS FOR BODYING

BodyBuilder Module (BBM) full; Application connector for road sweeper; Standard body attachment hole pattern.

## POWER TAKE-OFF (PTO)

Optional

16148	PTO types and positions
-------	-------------------------

## ELECTRICAL POWER SUPPLY

Alternator 80 A, batteries 2x 125 Ah..

Optional

01897	Alternator 100 A
-------	------------------

## GVM AND GCM

Chassis weight related technical GVM max 16000 kg; Driveline related technical GCM = GVM+3500 kg.

## APPLICATION CONDITIONS

Moisture separator, unheated; Air intake on the cab roof.

Optional

02270	Cold climate	04987	Radiator flyscreen
04767	Moisture separator, heated		

## SERVICE AND MAINTENANCE

Warranty Plus - 1 Year Vehicle & 3 Year Driveline - takes care of all warrantable repairs on the vehicle for one year and on the driveline for second and third years together with associated breakdown coverage.; DAF 2 year Preventive Maintenance Package - 320k.

# VEHICLE DELIVERY

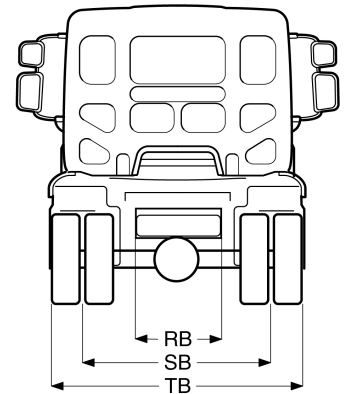
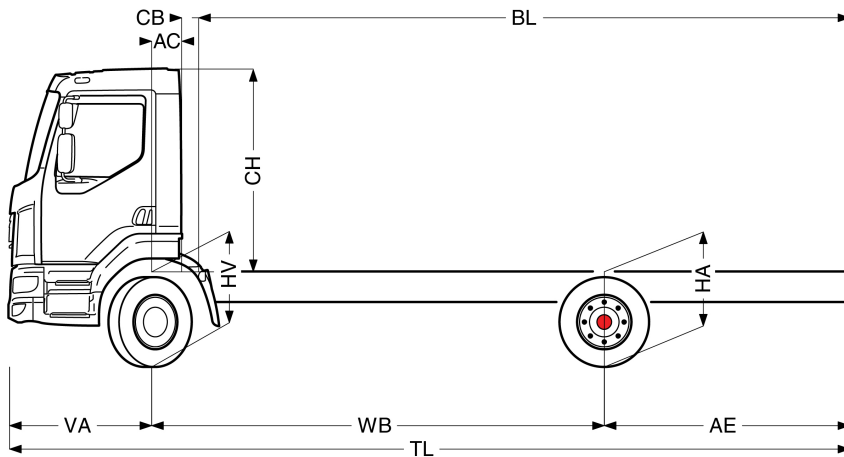
Standard toolkit.



Go to [DAF.com](https://www.daf.com) to configure your own perfect DAF.

# LF 180

FA 4X2 Rigid, 16t RoadSweeper



DAY CAB	Wheelbase - AE		Unladen weight <sup>1)</sup>			Gross Carrying Capacity			Variable dimensions									
	WB	AE <sup>5)</sup>	Front	Rear	Total	Front	Rear	Total	AC	CB <sup>6)</sup>	CH <sup>7)</sup>	BL <sup>8)</sup>	BL	TL	HA <sup>9)</sup>	HA <sup>10)</sup>	TK <sup>11)</sup>	TW <sup>12)</sup>
	3,26	1,00	2903	1415	4318	3097	9085	11682	0,28	0,44	1,85	3,35	3,63	5,59	1,09	1,00	11,40	12,60

OTHER DIMENSIONS VA: 1,33 HV<sup>13)</sup>: 1,05 HV<sup>14)</sup>: 0,97 RB: 0,79 SB: 0,02 TB<sup>15)</sup>: 0,63

- 1) GVM in conformity with registration documents.
- 2) GCM in conformity with registration documents.
- 3) Axle load with standard tyre size.
- 4) Chassis and cab weight calculated with: Standard specification items only with 95 litres of fuel, 25 litres of AdBlue® and driver of 90 kg, tolerance ± 3%. Changing of the specification can have major impact on vehicle weight.
- 5) Other AE dimensions may be available for shown WB. Modify rear overhang to the calculated body length.
- 6) CB is based on standard air intake and/or exhaust.
- 7) Cab height is measured from frame member to closed cabin roof hatch.

- 8) Calculate customer specific body length with TOPEC. Body lengths shown based on evenly distributed load at max axle load.
- 9) Unladen height at centre of driven axle(s).
- 10) Laden height at centre of driven axle(s).
- 11) TK = turning circle between kerbs.
- 12) TW = turning circle between walls.
- 13) Unladen height at centre of front axle(s).
- 14) Laden height at centre of front axle(s).
- 15) TB is overall width at rear. (At centre of front axle 255).

Depending on the vehicle configuration a specific option may not be possible. The availability and specification of this vehicle may differ per country. For further information please contact the DAF organisation. Pictures and technical illustrations are not binding in detail and can differ from the standard specification. Subject to modification without prior notice.