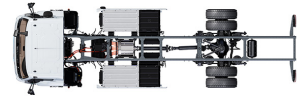


# Specification sheet

# XB 190

FA 4X2 Rigid, 19t Electric ChsBody



## ENGINES

XB Electric 19t PACCAR EX-M2 (190 kW / 210/282 kWh)

## GVM<sup>1)</sup>

18000 kg

Max. front 7500 kg

Max. rear 11500 kg

## GCM<sup>2)</sup>

19000 kg

## CAB EXTERIOR

Day Cab with steel bumper, tinted glass and electric window openers. Main mirrors and wide angle mirrors electrically heated. Cab width 2130 mm.; Electrically adjustable mirrors; Mirror brackets, body 2.50-2.60 m; Front view mirror; Rear view camera.

### Optional

<b>02576</b> Extended Day Cab	<b>02083</b> Two hazard beacon lights LED
<b>01605</b> Cab suspension mechanical reinforced	<b>07343</b> Kerb view window co-driver door
<b>09983</b> Fog lights	<b>00915</b> Side no glass / rear single glass
<b>09984</b> Fog lights and cornering lights	<b>09101</b> Green tinted glass, heated
<b>06629</b> Two hazard beacon lights	

## AERODYNAMICS

### Optional

<b>09286</b> Roof air deflector prepared	<b>07092</b> Adjustable roof air deflector low (set)
<b>06776</b> Adjustable roof air deflector	<b>09287</b> Side collars prepared
<b>07109</b> Adjustable roof air deflector high (set)	<b>07112</b> Side collars long (set)

## COLOURS

; Head lamp panel and bumper: Stone Grey; Lower step cover, cab steps and wing Stone Grey.; Chassis colour grey.; No body panels.

### Optional

<b>06485</b> Head lamp panel and bumper: cab colour	<b>00617</b> Lower step cover, cab steps and wing in cab colour
<b>00733</b> Lower step cab colour, cab steps and wing Grey	<b>16153</b> Cab and chassis colours

## CAB INTERIOR

Right-hand drive (RHD); Mechanically adjustable steering column; Driver seat: air suspended; Co-driver seat: fixed velour; Storage box on engine tunnel.

### Optional

<b>09271</b> Steering wheel, leather, colour black	<b>16158</b> Seat types
<b>03516</b> Pneumatically adjustable steering column	<b>04246</b> Roof hatch, manual control
<b>00967</b> Seat belts red	<b>04258</b> Roof hatch, electric control

## COMMUNICATION AND DRIVING MANAGEMENT

FMS connector, prepared; Tachograph digital, Stoneridge 1C version G2V2; Driver Performance Assistant.

### Optional

<b>16155</b> Audio equipment, makes and types
---

## SAFETY AND SECURITY

Speed limit recognition; DAF drowsiness detection; Drive-off Assist.

### Optional

<b>08631</b> Air bag (driver) and 2 seat belt tensioners	<b>01723</b> No reverse warning
<b>07414</b> Reverse warning with self-adjusting volume	

## SUSPENSION AND AXLES

Front axle type 152N, 100 mm vertical offset. Parabolic leaf suspension with shock absorbers and stabiliser. Max. load 7.5 tonnes.; Single reduction driven rear axle type SR1344 with adjustable electronically controlled 4-bellow air suspension, including shock absorbers and stabiliser. Max. load 13.0 tonnes. Mechanical differential lock..

## WHEELS AND TYRES

Front axle(s): 315/70R22.5; Driven rear axle(s): 315/70R22.5; Goodyear; Wheel protection rings silvergrey.

### Optional

<b>06764</b> Wheel protection rings black	<b>16152</b> Tyre makes and types
<b>06766</b> Wheel protection rings chromium DAF	

## DRIVELINE

Electric motor type EX-M2; 190 kW; Battery Electric Vehicle; Rear axle ratio 5.57.

## BRAKE SYSTEM

### Optional

<b>09524</b> Park brake control with spoken warning
---

## CHASSIS

Wheelbase 5.30 m / rear overhang 2.40 m; Side member height 270 mm; Battery box LH rear, no spare wheel carrier; Battery pack H-type; 2 HV battery packs: L1+R1, H-type; 2 HV battery packs; Front underrun protection (FUP); Spray suppression.

### Optional

<b>04181</b> Battery pack C-type	<b>01623</b> Rear underrun protection
<b>00684</b> 2 HV battery packs: L1+R1, C-type	<b>03323</b> Rear light with LEDs

## DRAWBAR AND TRAILER EQUIPMENT

Closing member D-value = 0kN.

## BODIES AND PREPARATIONS FOR BODYING

Standard body attachment hole pattern.

### Optional

<b>09952</b> BodyBuilder Module (BBM) full	<b>02717</b> Aluminium kick strips, front and sides 228 mm
<b>00126</b> Body attachment BAM 1, consoles type B	<b>02712</b> Aluminium kick strips, front 228 mm
<b>02357</b> Box body	<b>02727</b> Galvanised kick strips, front and sides 200 mm
<b>01890</b> Curtain sider body	<b>02728</b> Plywood kick strips, front and sides 300 mm
<b>01027</b> External body length 7300 mm	<b>02738</b> Plywood kick strips, front 1200 mm, sides 300 mm
<b>01028</b> External body length 7930 mm	<b>04650</b> Rear wide lath shutter door
<b>01048</b> External body length 8540 mm	<b>04662</b> Rear double doors
<b>04621</b> External body width 2540 mm	<b>02726</b> Single, hinged side door at front left-hand side
<b>01403</b> GRP faced plywood panels	<b>02718</b> Side roller shutter door
<b>00067</b> Contour markings	<b>00312</b> Column tail lift 1.5 tonnes
<b>02702</b> Standard body floor	<b>00313</b> Tuck-under tail lift 1.5 tonnes
<b>02698</b> Body floor with 3 mm aluminium tread plate	

## 24V POWER SUPPLY

Batteries 2x 125 Ah..

### Optional

**01257** Batteries 2x140Ah

**08797** Batteries 2x175Ah

## GVM AND GCM

Chassis weight related technical GVM max 19000 kg; Driveline related technical GCM equal to GVM.

## APPLICATION CONDITIONS

### Optional

**01282** Moderate climate

## VEHICLE DELIVERY

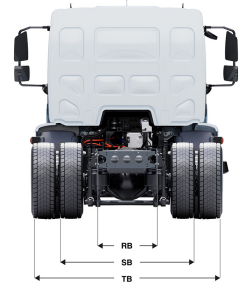
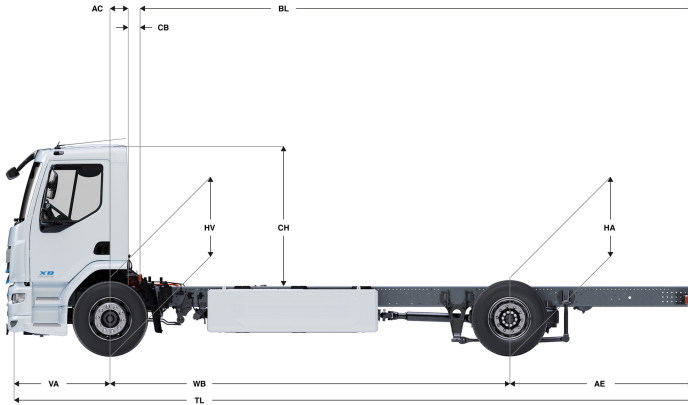
Standard toolkit.

### Optional

**06491** Toolkit Eastern Europe

# XB 190

FA 4X2 Rigid, 19t Electric ChsBody



DAY CAB	Wheelbase - AE		Unladen weight <sup>1)</sup>			Gross Carrying Capacity			Variable dimensions									
	WB	AE <sup>5)</sup>	Front	Rear	Total	Front	Rear	Total	AC	CB <sup>6)</sup>	CH <sup>7)</sup>	BL <sup>8)</sup>	BL	TL	HA <sup>9)</sup>	HA <sup>10)</sup>	TK <sup>11)</sup>	TW <sup>12)</sup>
	5,30	2,40	4328	2598	6925	3172	8902	11075	0,22	0,24	1,88	6,90	8,21	9,09	0,92	0,89	18,02	19,22
	5,85	2,68	4423	2508	6932	3077	8992	11068	0,22	0,24	1,88	7,81	9,24	9,92	0,92	0,89	19,54	20,75
	6,25	2,68	4488	2449	6937	3012	9051	11063	0,22	0,24	1,88	8,48	10,01	10,32	0,92	0,89	20,64	21,86

OTHER DIMENSIONS VA: 1,39 HV<sup>13)</sup>: 0,98 HV<sup>14)</sup>: 0,93 RB: 0,79 SB: 1,83 TB<sup>15)</sup>: 2,47

1) GVM in conformity with registration documents.  
 2) GCM in conformity with registration documents.  
 3) Axle load with standard tyre size.  
 4) Chassis and cab weight calculated with: Standard specification items only with 3 litres of fuel, 0 litres of AdBlue® and driver of 90 kg, tolerance ± 3%. Changing of the specification can have major impact on vehicle weight.  
 5) Other AE dimensions may be available for shown WB. Modify rear overhang to the calculated body length.  
 6) CB is based on standard air intake and/or exhaust.  
 7) Cab height is measured from frame member to closed cabin roof hatch.

8) Calculate customer specific body length with TOPEC. Body lengths shown based on evenly distributed load at max axle load.  
 9) Unladen height at centre of driven axle(s).  
 10) Laden height at centre of driven axle(s).  
 11) TK = turning circle between kerbs.  
 12) TW = turning circle between walls.  
 13) Unladen height at centre of front axle(s).  
 14) Laden height at centre of front axle(s).  
 15) TB is overall width at rear. (At centre of front axle 255).

Depending on the vehicle configuration a specific option may not be possible. The availability and specification of this vehicle may differ per country. For further information please contact the DAF organisation. Pictures and technical illustrations are not binding in detail and can differ from the standard specification. Subject to modification without prior notice.