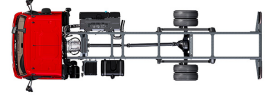


Specification sheet

XB 190

FA 4X2 Rigid, 12t



ENGINES

XB NewGen 190 PX-5 (139 kW / 189 hp)
XB NewGen 210 PX-5 (153 kW / 208 hp)
XB NewGen 230 PX-7 (167 kW / 227 hp)
XB NewGen 260 PX-7 (189 kW / 257 hp)

GVM¹⁾

12000 kg
Max. front 4480 kg
Max. rear 8480 kg

GCM²⁾

12000 kg

CAB EXTERIOR

Day Cab with steel bumper, tinted glass and electric window openers. Main mirrors and wide angle mirrors electrically heated. Cab width 2130 mm.; Electrically adjustable mirrors; Mirror brackets, body 2.50-2.60 m; Front view mirror; Rear view camera.

Optional

02576 Extended Day Cab	02083 Two hazard beacon lights LED
02106 Sleeper Cab	07343 Kerb view window co-driver door
01173 Cab suspension mechanical	00915 Side no glass / rear single glass
01605 Cab suspension mechanical reinforced	09101 Green tinted glass, heated
09983 Fog lights	03605 Mirror brackets, body 2.10-2.29 m
09984 Fog lights and cornering lights	09282 Mirror brackets, body 2.30-2.40 m
06629 Two hazard beacon lights	09283 Mirror brackets, body 2.40-2.50 m

AERODYNAMICS

Optional

09286 Roof air deflector prepared	07092 Adjustable roof air deflector low (set)
06776 Adjustable roof air deflector	09287 Side collars prepared
07109 Adjustable roof air deflector high (set)	07112 Side collars long (set)

COLOURS

; Head lamp panel and bumper: Stone Grey; Cab steps and wing Stone Grey; Chassis colour grey..

Optional

06485 Head lamp panel and bumper: cab colour	16153 Cab and chassis colours
01109 Cab steps and wing in cab colour	

CAB INTERIOR

Right-hand drive (RHD); Mechanically adjustable steering column; Driver seat: air suspended; Co-driver seat: fixed velour; Storage box on engine tunnel.

Optional

01846 Left-hand drive (LHD)	04346 Lower bunk, normal level
09271 Steering wheel, leather, colour black	03703 Auxiliary cab heater Air Top 2000
03516 Pneumatically adjustable steering column	04246 Roof hatch, manual control
00967 Seat belts red	04258 Roof hatch, electric control
16158 Seat types	

COMMUNICATION AND DRIVING MANAGEMENT

FMS connector, prepared; Tachograph digital, Stoneridge 1C version G2V2; Driver Performance Assistant.

Optional

16155 Audio equipment, makes and types

SAFETY AND SECURITY

Speed limit recognition; DAF drowsiness detection; Drive-off Assist.

Optional

08631 Air bag (driver) and 2 seat belt tensioners	01723 No reverse warning
07414 Reverse warning with self-adjusting volume	16156 EC-ADR packages

SUSPENSION AND AXLES

Front axle type F48. Parabolic leaf suspension with shock absorbers and stabiliser. Max. load 4.5 tonnes.; Single reduction driven rear axle type SR8.22 with parabolic leaf suspension, including shock absorbers and stabiliser. Max. load 8.5 tonnes..

Optional

01632 Rear: 8.50 t, asymmetric parabolic, SR8.22	01372 Rear springs air
01636 Rear: 8.50 t, air suspension, SR8.22	00369 Rear springs parabolic, asymmetric

WHEELS AND TYRES

Front axle(s): 245/70R17.5; Driven rear axle(s): 245/70R17.5; Goodyear; Wheel protection rings silvergrey.

Optional

06764 Wheel protection rings black	16152 Tyre makes and types
---	-----------------------------------

DRIVELINE

Engine PX-5, 4 cylinder diesel engine, 4.5 litres. Output 139 kW (189 hp) at 2300 rpm. Max. torque 745 Nm at 1200-1700 rpm.; Exhaust emission Euro 6; Manual gearbox, 6 speeds; Gearbox ratio 6.58-0.78; Rear axle ratio 3.31.

Optional

07667 Automatic gearbox PowerLine, 8-speed	02808 Rear axle ratio 4.56
09888 Automatic gearbox, 5 speeds	02809 Rear axle ratio 5.13
01879 Rear axle ratio 3.73	02843 Mechanical differential lock
02800 Rear axle ratio 4.10	

BRAKE SYSTEM

Exhaust brake.

Optional

06195 Park brake control with test position	09525 Park brake ctl with test pos and spoken warning
09524 Park brake control with spoken warning	

CHASSIS

Wheelbase 3.55 m / rear overhang 1.98 m; Side member height 210 mm; EAS unit right, discharge right rearward; Battery box left, no spare wheel carrier; Plastic fuel tank 110 l; Tank for AdBlue® 30 l, right-hand side chassis; Spray suppression.

Optional

04426 Batteries left, spare wheel carrier in re overhang	02011 Spare wheel carrier in rear overhang
04439 Battery box left, spare wheel carrier right	07071 Spare wheel carrier right-hand side
01623 Rear underrun protection	03323 Rear light with LEDs

DRAWBAR AND TRAILER EQUIPMENT

Closing member D-value = 0kN.

Optional

- 06779** Cross member D85-Dc70 -V25, no coupling, mounted **04661** D-value cross member D=8.5
- 06657** Cross member D85-Dc70 -V25, coupling D85, mounted

BODIES AND PREPARATIONS FOR BODYING

Application connector chassis; Standard body attachment hole pattern.

Optional

- 09952** BodyBuilder Module (BBM) full **01502** No side marker lights
- 02950** Application connector for hydraulic platform **07487** Body attachment BAM 1, loose consoles supply
- 09240** Application connector for refuse collector **07488** Body attachment BAM 3, loose consoles supply

POWER TAKE-OFF (PTO)

Optional

- 06624** Indirect front engine PTO **06282** Rear eng PTO 13h, permanent, pump drive
- 06785** Front engine PTO, generator preparation 22.5 kW **16148** PTO types and positions

24V POWER SUPPLY

Alternator 80 A, batteries 2x 125 Ah..

Optional

- 01897** Alternator 100 A **08797** Batteries 2x175Ah

GVM AND GCM

Chassis weight related technical GVM max 12000 kg; Driveline related technical GCM equal to GVM.

Optional

- 03016** Chassis weight related technical GVM max 11990 kg **08629** Driveline related max GCM 22000 kg
- 00054** Driveline related max GCM 18000 kg **03700** Driveline related technical GCM = GVM+3500 kg
- 00728** Driveline related max GCM 20000 kg

APPLICATION CONDITIONS

Moisture separator, unheated; Air intake low.

Optional

- 02270** Cold climate **04482** Air intake high behind cab
- 04767** Moisture separator, heated **09960** Air intake on the cab roof

VEHICLE DELIVERY

Standard toolkit.

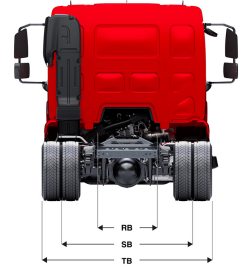
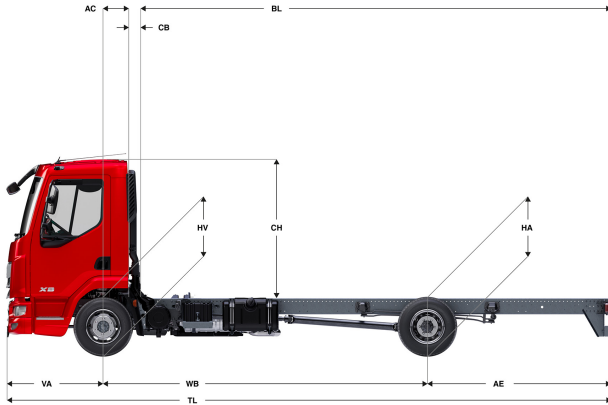
Optional

- 06491** Toolkit Eastern Europe

Go to [DAF.com](https://www.daf.com) to configure your own perfect DAF.

XB 190

FA 4X2 Rigid, 12t



	Wheelbase - AE		Unladen weight ¹⁾			Gross Carrying Capacity			Variable dimensions									
	WB	AE ⁵⁾	Front	Rear	Total	Front	Rear	Total	AC	CB ⁶⁾	CH ⁷⁾	BL ⁸⁾	BL	TL	HA ⁹⁾	HA ¹⁰⁾	TK ¹¹⁾	TW ¹²⁾
DAY CAB	3,15	1,73	2529	1079	3608	1951	7401	8392	0,32	0,12	1,84	3,95	4,62	6,17	0,98	0,89	10,82	12,15
	3,55	1,98	2538	1102	3640	1942	7378	8360	0,32	0,12	1,84	4,57	5,32	6,82	0,98	0,89	11,79	13,15
	3,90	2,23	2542	1119	3661	1938	7361	8339	0,32	0,12	1,84	5,09	5,93	7,42	0,98	0,89	12,64	14,02
	4,30	2,43	2553	1140	3693	1927	7340	8307	0,32	0,12	1,84	5,72	6,64	8,02	0,98	0,89	13,62	15,01
	4,65	2,75	2555	1162	3717	1925	7318	8283	0,32	0,12	1,84	6,25	7,25	8,69	0,98	0,89	14,48	15,89
	5,00	2,83	2572	1176	3748	1908	7304	8252	0,32	0,12	1,84	6,79	7,87	9,12	0,98	0,90	15,34	16,76
	5,40	2,43	2599	1162	3761	1881	7318	8239	0,32	0,12	1,84	7,44	8,60	9,12	0,98	0,92	16,32	17,75
	5,70	2,41	2613	1171	3784	1867	7309	8216	0,32	0,12	1,84	7,91	9,16	9,40	0,98	0,93	17,06	18,50
	6,10	2,65	2621	1190	3811	1859	7290	8189	0,32	0,12	1,84	8,54	9,85	10,04	0,98	0,93	18,05	19,50
	6,40	2,80	2629	1208	3837	1851	7272	8163	0,32	0,12	1,84	9,00	10,40	10,49	0,98	0,93	18,79	20,25
	6,70	3,00	2636	1228	3864	1844	7252	8136	0,32	0,12	1,84	9,46	10,92	10,99	0,98	0,93	19,54	21,00
SLEEPER CAB	3,55	1,98	2691	1084	3775	1789	7396	8225	0,72	0,07	1,87	3,97	4,74	6,82	0,98	0,88	11,79	13,15
	3,90	2,23	2694	1103	3796	1786	7377	8204	0,72	0,07	1,87	4,51	5,36	7,42	0,98	0,88	12,64	14,02
	4,30	2,43	2703	1125	3828	1777	7355	8172	0,72	0,07	1,87	5,14	6,08	8,02	0,98	0,88	13,62	15,01
	4,65	2,75	2704	1148	3852	1776	7332	8148	0,72	0,07	1,87	5,68	6,70	8,69	0,98	0,88	14,48	15,89
	5,00	2,83	2720	1163	3883	1760	7317	8117	0,72	0,07	1,87	6,25	7,33	9,12	0,98	0,89	15,34	16,76
	5,40	2,43	2745	1151	3896	1735	7329	8104	0,72	0,07	1,87	6,89	8,08	9,12	0,98	0,92	16,32	17,75
	5,70	2,41	2759	1160	3919	1721	7320	8081	0,72	0,07	1,87	7,37	8,64	9,40	0,98	0,92	17,06	18,50
	6,10	2,65	2766	1180	3946	1714	7300	8054	0,72	0,07	1,87	8,00	9,36	10,04	0,98	0,92	18,05	19,50
		6,40	2,80	2774	1198	3972	1706	7282	8028	0,72	0,07	1,87	8,49	9,90	10,49	0,98	0,92	18,79
	6,70	3,00	2781	1219	4000	1699	7261	8000	0,72	0,07	1,87	8,96	10,44	10,99	0,98	0,92	19,54	21,00

OTHER DIMENSIONS	VA: 1,29	HV ¹³⁾ : 0,92	HV ¹⁴⁾ : 0,86	RB: 0,86	SB: 1,74	TB ¹⁵⁾ : 2,32
------------------	----------	--------------------------	--------------------------	----------	----------	--------------------------

1) GVM in conformity with registration documents.
 2) GCM in conformity with registration documents.
 3) Axle load with standard tyre size.
 4) Chassis and cab weight calculated with: Standard specification items only with 110 litres of fuel, 30 litres of AdBlue® and driver of 90 kg, tolerance ± 3%. Changing of the specification can have major impact on vehicle weight.
 5) Other AE dimensions may be available for shown WB. Modify rear overhang to the calculated body length.
 6) CB is based on standard air intake and/or exhaust.
 7) Cab height is measured from frame member to closed cabin roof hatch.

8) Calculate customer specific body length with TOPEC. Body lengths shown based on evenly distributed load at max axle load.
 9) Unladen height at centre of driven axle(s).
 10) Laden height at centre of driven axle(s).
 11) TK = turning circle between kerbs.
 12) TW = turning circle between walls.
 13) Unladen height at centre of front axle(s).
 14) Laden height at centre of front axle(s).
 15) TB is overall width at rear. (At centre of front axle 255).

Depending on the vehicle configuration a specific option may not be possible. The availability and specification of this vehicle may differ per country. For further information please contact the DAF organisation. Pictures and technical illustrations are not binding in detail and can differ from the standard specification. Subject to modification without prior notice.