

# Specification sheet

## XB 190

FA 4X2 Rigid, 10t



### ENGINES

XB NewGen 190 PX-5 (139 kW / 189 hp)
XB NewGen 210 PX-5 (153 kW / 208 hp)
XB NewGen 230 PX-7 (167 kW / 227 hp)
XB NewGen 260 PX-7 (189 kW / 257 hp)

### GVM<sup>1)</sup>

10000 kg
Max. front 4000 kg
Max. rear 7200 kg

### GCM<sup>2)</sup>

10000 kg

016F3802BAAA - 202501H - 18-09-2024

DAF Trucks Ltd, UK, Haddenham, HP17 8LJ, [www.daf.co.uk](http://www.daf.co.uk)

## CAB EXTERIOR

Day Cab with steel bumper, tinted glass and electric window openers. Main mirrors and wide angle mirrors electrically heated. Cab width 2130 mm.; Electrically adjustable mirrors; Mirror brackets, body 2.50-2.60 m; Front view mirror; Rear view camera.

### Optional

<b>02576</b> Extended Day Cab	<b>02083</b> Two hazard beacon lights LED
<b>02106</b> Sleeper Cab	<b>07343</b> Kerb view window co-driver door
<b>01173</b> Cab suspension mechanical	<b>00915</b> Side no glass / rear single glass
<b>01605</b> Cab suspension mechanical reinforced	<b>09101</b> Green tinted glass, heated
<b>09983</b> Fog lights	<b>03605</b> Mirror brackets, body 2.10-2.29 m
<b>09984</b> Fog lights and cornering lights	<b>09282</b> Mirror brackets, body 2.30-2.40 m
<b>06629</b> Two hazard beacon lights	<b>09283</b> Mirror brackets, body 2.40-2.50 m

## AERODYNAMICS

### Optional

<b>09286</b> Roof air deflector prepared	<b>07092</b> Adjustable roof air deflector low (set)
<b>06776</b> Adjustable roof air deflector	<b>09287</b> Side collars prepared
<b>07109</b> Adjustable roof air deflector high (set)	<b>07112</b> Side collars long (set)

## COLOURS

; Head lamp panel and bumper: Stone Grey; Cab steps and wing Stone Grey; Chassis colour grey..

### Optional

<b>06485</b> Head lamp panel and bumper: cab colour	<b>16153</b> Cab and chassis colours
<b>01109</b> Cab steps and wing in cab colour	

## CAB INTERIOR

Right-hand drive (RHD); Mechanically adjustable steering column; Driver seat: air suspended; Co-driver seat: fixed velour; Storage box on engine tunnel.

### Optional

<b>01846</b> Left-hand drive (LHD)	<b>04346</b> Lower bunk, normal level
<b>09271</b> Steering wheel, leather, colour black	<b>03703</b> Auxiliary cab heater Air Top 2000
<b>03516</b> Pneumatically adjustable steering column	<b>04246</b> Roof hatch, manual control
<b>00967</b> Seat belts red	<b>04258</b> Roof hatch, electric control
<b>16158</b> Seat types	

## COMMUNICATION AND DRIVING MANAGEMENT

FMS connector, prepared; Tachograph digital, Stoneridge 1C version G2V2; Driver Performance Assistant.

### Optional

<b>16155</b> Audio equipment, makes and types
---

## SAFETY AND SECURITY

Speed limit recognition; DAF drowsiness detection; Drive-off Assist.

### Optional

<b>08631</b> Air bag (driver) and 2 seat belt tensioners	<b>01723</b> No reverse warning
<b>07414</b> Reverse warning with self-adjusting volume	<b>16156</b> EC-ADR packages

## SUSPENSION AND AXLES

Front axle type F48. Parabolic leaf suspension with shock absorbers and stabiliser. Max. load 4.0 tonnes.; Single reduction driven rear axle type SR8.22 with parabolic leaf suspension, including shock absorbers and stabiliser. Max. load 7.20 tonnes..

### Optional

<b>02479</b> Rear: 7.20 t, asymmetric parabolic, SR8.22	<b>01372</b> Rear springs air
<b>02487</b> Rear: 7.20 t, air suspension, SR8.22	<b>00369</b> Rear springs parabolic, asymmetric

## WHEELS AND TYRES

Front axle(s): 235/75R17.5; Driven rear axle(s): 235/75R17.5; Goodyear; Wheel protection rings silvergrey.

### Optional

<b>06764</b> Wheel protection rings black	<b>16152</b> Tyre makes and types
---	-----------------------------------

## DRIVELINE

Engine PX-5, 4 cylinder diesel engine, 4.5 litres. Output 139 kW (189 hp) at 2300 rpm. Max. torque 745 Nm at 1200-1700 rpm.; Exhaust emission Euro 6; Manual gearbox, 6 speeds; Gearbox ratio 6.58-0.78; Rear axle ratio 3.31.

### Optional

<b>07667</b> Automatic gearbox PowerLine, 8-speed	<b>02808</b> Rear axle ratio 4.56
<b>09888</b> Automatic gearbox, 5 speeds	<b>02809</b> Rear axle ratio 5.13
<b>01879</b> Rear axle ratio 3.73	<b>02843</b> Mechanical differential lock
<b>02800</b> Rear axle ratio 4.10	

## BRAKE SYSTEM

Exhaust brake.

### Optional

<b>06195</b> Park brake control with test position	<b>09525</b> Park brake ctl with test pos and spoken warning
<b>09524</b> Park brake control with spoken warning	

## CHASSIS

Wheelbase 3.55 m / rear overhang 1.98 m; Side member height 210 mm; EAS unit right, discharge right rearward; Battery box left, no spare wheel carrier; Plastic fuel tank 110 l; Tank for AdBlue® 30 l, right-hand side chassis; Spray suppression.

### Optional

<b>04426</b> Batteries left, spare wheel carrier in re overhang	<b>02011</b> Spare wheel carrier in rear overhang
<b>04439</b> Battery box left, spare wheel carrier right	<b>07071</b> Spare wheel carrier right-hand side
<b>01623</b> Rear underrun protection	<b>03323</b> Rear light with LEDs

## DRAWBAR AND TRAILER EQUIPMENT

Closing member D-value = 0kN.

### Optional

- 06779** Cross member D85-Dc70 -V25, no coupling, mounted **04661** D-value cross member D=8.5
- 06657** Cross member D85-Dc70 -V25, coupling D85, mounted

## BODIES AND PREPARATIONS FOR BODYING

Application connector chassis; Standard body attachment hole pattern.

### Optional

- 09952** BodyBuilder Module (BBM) full **01502** No side marker lights
- 02950** Application connector for hydraulic platform **07487** Body attachment BAM 1, loose consoles supply
- 09240** Application connector for refuse collector **07488** Body attachment BAM 3, loose consoles supply

## POWER TAKE-OFF (PTO)

### Optional

- 06624** Indirect front engine PTO **06282** Rear eng PTO 13h, permanent, pump drive
- 06785** Front engine PTO, generator preparation 22.5 kW **16148** PTO types and positions

## 24V POWER SUPPLY

Alternator 80 A, batteries 2x 125 Ah..

### Optional

- 01897** Alternator 100 A **08797** Batteries 2x175Ah

## GVM AND GCM

Chassis weight related technical GVM max 10000 kg; Driveline related technical GCM equal to GVM.

### Optional

- 00728** Driveline related max GCM 20000 kg **03700** Driveline related technical GCM = GVM+3500 kg

## APPLICATION CONDITIONS

Moisture separator, unheated; Air intake low.

### Optional

- 02270** Cold climate **04482** Air intake high behind cab
- 04767** Moisture separator, heated **09960** Air intake on the cab roof

## VEHICLE DELIVERY

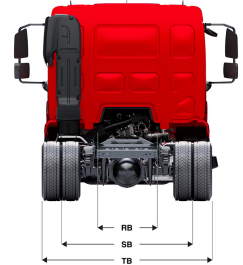
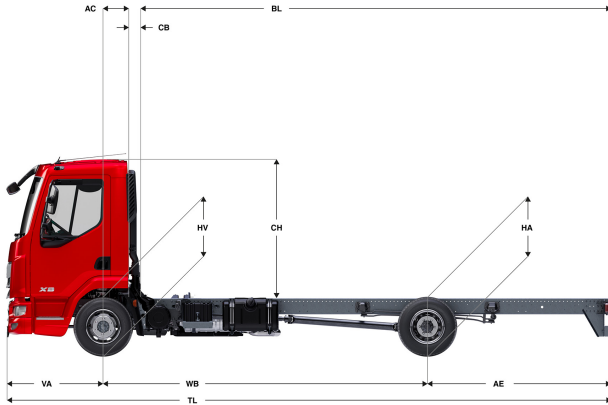
Standard toolkit.

### Optional

- 06491** Toolkit Eastern Europe

# XB 190

FA 4X2 Rigid, 10t



	Wheelbase - AE		Unladen weight <sup>1)</sup>			Gross Carrying Capacity			Variable dimensions									
	WB	AE <sup>5)</sup>	Front	Rear	Total	Front	Rear	Total	AC	CB <sup>6)</sup>	CH <sup>7)</sup>	BL <sup>8)</sup>	BL	TL	HA <sup>9)</sup>	HA <sup>10)</sup>	TK <sup>11)</sup>	TW <sup>12)</sup>
DAY CAB	3,15	1,73	2516	1053	3569	1484	6147	6431	0,32	0,12	1,84	3,98	4,95	6,17	0,98	0,97	10,82	12,15
	3,55	1,98	2525	1076	3600	1475	6124	6400	0,32	0,12	1,84	4,60	5,69	6,82	0,98	0,97	11,79	13,15
	3,90	2,23	2529	1093	3622	1471	6107	6378	0,32	0,12	1,84	5,13	6,35	7,42	0,98	0,97	12,64	14,02
	4,30	2,43	2540	1114	3654	1460	6086	6347	0,32	0,12	1,84	5,76	7,09	8,02	0,98	0,97	13,62	15,01
	4,65	2,75	2542	1135	3677	1458	6065	6323	0,32	0,12	1,84	6,29	7,75	8,69	0,97	0,97	14,48	15,88
	5,00	2,83	2559	1150	3709	1441	6050	6292	0,32	0,12	1,84	6,84	8,42	9,12	0,97	0,98	15,34	16,76
	5,40	2,43	2585	1136	3722	1415	6064	6278	0,32	0,12	1,84	7,50	9,21	9,12	0,97	1,00	16,32	17,75
	5,70	2,41	2600	1144	3745	1400	6056	6256	0,32	0,12	1,84	7,99	9,79	9,40	0,97	1,00	17,06	18,50
SLEEPER CAB	6,10	2,65	2608	1164	3772	1392	6036	6229	0,32	0,12	1,84	8,60	10,55	10,04	0,97	1,00	18,05	19,50
	6,40	2,80	2616	1182	3798	1384	6018	6203	0,32	0,12	1,84	9,07	11,12	10,49	0,97	1,00	18,79	20,25
	6,70	3,00	2623	1202	3825	1377	5998	6175	0,32	0,12	1,84	9,55	11,70	10,99	0,97	1,00	19,54	21,00
	3,55	1,98	2678	1058	3736	1322	6142	6264	0,72	0,07	1,87	4,04	5,16	6,82	0,98	0,96	11,79	13,15
	3,90	2,23	2681	1076	3757	1319	6124	6243	0,72	0,07	1,87	4,58	5,82	7,42	0,98	0,96	12,64	14,02
	4,30	2,43	2690	1099	3789	1310	6101	6211	0,72	0,07	1,87	5,22	6,59	8,02	0,98	0,97	13,62	15,01
	4,65	2,75	2691	1122	3813	1309	6078	6187	0,72	0,07	1,87	5,76	7,26	8,69	0,98	0,96	14,48	15,88
	5,00	2,83	2707	1137	3844	1293	6063	6156	0,72	0,07	1,87	6,33	7,94	9,12	0,97	0,97	15,34	16,76
5,40	2,43	2732	1125	3857	1268	6075	6143	0,72	0,07	1,87	7,01	8,74	9,12	0,98	0,99	16,32	17,75	
5,70	2,41	2746	1133	3880	1254	6067	6120	0,72	0,07	1,87	7,49	9,35	9,40	0,97	1,00	17,06	18,50	
6,10	2,65	2753	1154	3907	1247	6046	6093	0,72	0,07	1,87	8,13	10,12	10,04	0,97	1,00	18,05	19,50	
6,40	2,80	2761	1172	3933	1239	6028	6067	0,72	0,07	1,87	8,62	10,71	10,49	0,97	1,00	18,79	20,25	
6,70	3,00	2768	1193	3960	1232	6007	6040	0,72	0,07	1,87	9,10	11,30	10,99	0,97	1,00	19,54	21,00	

OTHER DIMENSIONS	VA: 1,29	HV <sup>13)</sup> : 0,92	HV <sup>14)</sup> : 0,87	RB: 0,86	SB: 1,74	TB <sup>15)</sup> : 2,32
------------------	----------	--------------------------	--------------------------	----------	----------	--------------------------

1) GVM in conformity with registration documents.  
 2) GCM in conformity with registration documents.  
 3) Axle load with standard tyre size.  
 4) Chassis and cab weight calculated with: Standard specification items only with 110 litres of fuel, 30 litres of AdBlue® and driver of 90 kg, tolerance ± 3%. Changing of the specification can have major impact on vehicle weight.  
 5) Other AE dimensions may be available for shown WB. Modify rear overhang to the calculated body length.  
 6) CB is based on standard air intake and/or exhaust.  
 7) Cab height is measured from frame member to closed cabin roof hatch.

8) Calculate customer specific body length with TOPEC. Body lengths shown based on evenly distributed load at max axle load.  
 9) Unladen height at centre of driven axle(s).  
 10) Laden height at centre of driven axle(s).  
 11) TK = turning circle between kerbs.  
 12) TW = turning circle between walls.  
 13) Unladen height at centre of front axle(s).  
 14) Laden height at centre of front axle(s).  
 15) TB is overall width at rear. (At centre of front axle 255).

Depending on the vehicle configuration a specific option may not be possible. The availability and specification of this vehicle may differ per country. For further information please contact the DAF organisation. Pictures and technical illustrations are not binding in detail and can differ from the standard specification. Subject to modification without prior notice.