

Specification sheet

XD 370

FTT 6X4 Tractor



ENGINES

XD NewGen 370 MX-11 (270 kW / 367 hp)

XD NewGen 410 MX-11 (300 kW / 408 hp)

XD NewGen 450 MX-11 (330 kW / 449 hp)

GVM¹⁾

26000 kg

Max. front 8000 kg

Max. rear 19000 kg

GCM²⁾

44000 kg

CAB EXTERIOR

Luxurious Sleeper Cab with unrivalled aerodynamics for fuel efficient driving and low CO2 emissions. The huge and deep frontscreen, curved at the sides combined with large side windows offer an unsurpassed direct view for the driver, to enhance road safety. The cab interior is extremely comfortable for driving, living and sleeping with unprecedented spaciousness and practical layout. Cab length: 2360 mm; cab width: 2500 mm. Number of cab steps: 2.; Cab suspension mechanical; LED head lights; DAF Corner View.

Optional

07017 Day Cab	00936 Auxiliary LED lights on cab roof, prepared
06244 Sleeper High Cab	01836 LED Skylights
02889 Chassis front execution: no bottom plate	00949 LED Skylights; aux. LED lights on cab rf, prepared
02952 Chassis front execution: bottom plate aero	01925 Two LED work lamps for cab rear wall
03353 Chassis front execution: protruding	01891 Hazard beacons on cab front, prepared
07586 Chassis front execution: robust	06629 Two hazard beacon lights
01226 Cab suspension air	03232 Front windscreen with solar control foil
03358 External sun visor	03317 Rear window: double glass
06790 Aluminium ladder 1-piece	07343 Kerb view window co-driver door
06791 Aluminium ladder 2-piece	01362 DAF Digital Vision System
03922 Fog lights front	

AERODYNAMICS

Optional

00010 Adj. roof air deflector short Sleeper High Cab	00118 Adj. roof air deflector for Sleeper Cab
00138 Adj. rf air defl.long mid >4m(!) Sleeper High Cab	00021 Adj. roof air deflector long low Sleeper High Cab
01552 Adj. roof air defl. long high >4m(!) Sleeper High	04906 Side collars, one side hinged
02665 Adj. roof air defl. long mid XD Sleeper High Cab	03074 Side collars, both sides hinged
00094 Adj. roof air deflector for Day Cab	

COLOURS

Cab colour E1980 Crystal White; Chassis colour grey.; Colour of bumper: Crystal White.

CAB INTERIOR

Cab interior trim colour: Luxury; Dashboard finish: Vision; Cab interior decoration: Hexagon; Driver seat: Comfort Air; Co-driver seat: cinema with fabric cover; Dashboard table; Storage compartment in centre; Automatic Temperature Control and airco; Residual heat pump.

Optional

02353 Cab interior decoration: Argenta	03948 Single drawer
02350 Cab interior decoration: Natura	03954 Refrigerator
07733 Driver seat: Luxury Air	31364 Without feature: Lower bunk mattress
07736 Driver seat: Super Air	02854 Xtra Comfort mattress for lower bunk
07737 Driver seat: Xtra Leather Air	01775 Xtra Comfort mattress with topper for lower bunk
09541 Arm rest driver seat	01177 Luggage carrier
01740 Arm rest at both sides of the driver seat	01066 Upper bunk
02117 Third seat	06970 Automatic Cab Climate Control
02834 No dashboard table	

COMMUNICATION AND DRIVING MANAGEMENT

PACCAR Connect; Tachograph digital, Stoneridge 1C version G2V2; Speed limiter setting 85/90 km/h; DAF Infotainment Luxury with Luxury speakers; Adaptive Cruise Control with FCW and AEBS-3.

Optional

09681 Preparation for Maut	01915 DAF Infotainment System: Luxury Plus
06211 DAF Infotainment System with FM/DAB/DAB+ radio	16155 Audio equipment, makes and types
03470 DAF Infotainment System: Exclusive, prepared	06991 Predictive Cruise Control

SAFETY AND SECURITY

Lane Departure Warning System; Vehicle Stability Control (VSC); Basic engine immobiliser system; DAF Side & Turn Assist.

Optional

08631 Air bag (driver) and 2 seat belt tensioners	00795 Safety regulations EC ADP
02178 Main switch with second control in the cab	

SUSPENSION AND AXLES

Front: 8.00 t, parabolic, 163N; Rear axle load 10.50+10.50 t; Rear: 21.00 t, air suspension, HR1670T; No lifting device.

Optional

06257 Front axle load 9.00 t	01601 Rear springs trapezium
06095 Front axle load 10.00 t	04563 Rear axle load 13.00+13.00 t
02788 Rear axle SR1360T	08191 Axle load monitoring

WHEELS AND TYRES

Driven rear axle(s): 315/70R22.5; F1,315/70R22.5GO FMXSE 156/150 L Steering BBA 3P; R1,315/70R22.5GO FMXDE 154/150 L Traction BBA 3P.

Optional

16152 Tyre makes and types

DRIVELINE

Engine MX-11, multi torque 6 cylinder diesel engine, 10.8 litres. Output 270 kW (367 hp) at 1600 rpm. Maximum torque 1950 Nm at 900-1125 rpm.; Exhaust emission Euro 6; Eco fuel; 12-speed TraXon 12TX2610 OD, 12.92-0.77; Gearbox ratio 12.92-0.77; Rear axle ratio 3.61; ASR.

Optional

07110 Eco performance	09637 Liquid transport
02313 Gearbox direct drive	09638 Off-road applications
01514 Urge-to-move	01498 Off-road applications with Rock-free function

BRAKE SYSTEM

MX Engine Brake; Ventilated disc brakes at front, rear tandem axle with drum brakes. Dual circuit air system with electronic control (EBS)..

Optional

09920 No MX Engine Brake	01572 Park brake control electro-pneumatic
02715 ZF Intarder	01497 Park brake control pneumatic with spoken warning

CHASSIS

Wheelbase 3.90 m / rear overhang 1.65 m; Side member height 310 mm; 430 l alu fuel tank LH, height 620 mm; Tank for AdBlue® 40 l, on left-hand mudguard; Front underrun protection (FUP); Catwalk with step; Rear mudguards; Spray suppression; Work lamp LED.

Optional

16157 Fuel tanks, material and sizes
03323 Rear light with LEDs

DRAWBAR AND TRAILER EQUIPMENT

JOST JSK36DV pressed steel 205+40mm; Pneumatic trailer connection C-type; Electric connection 24 V / 2x7 pins.

Optional

03178 Towing hook D= 4.3
16151 5th wheel makes and heights

BODIES AND PREPARATIONS FOR BODYING

Optional

02811 Tail lift connection Anderson
02812 Tail lift connection REMA

POWER TAKE-OFF (PTO)

Optional

16148 PTO types and positions

24V POWER SUPPLY

Alternator 110 A, batteries 2x 175 Ah..

Optional

04492 Alternator 130 A
08775 Alternator 150 A
01257 Batteries 2x140Ah
07671 Batteries 2x210Ah AGM C-type
06440 Batteries 2x230Ah

GVM AND GCM

Chassis weight related technical GVM max 27000 kg; Driveline related max GCM 44000 kg class 2.

APPLICATION CONDITIONS

Air intake front.

Optional

02260 Extra cab insulation
03648 Cyclonic air intake high
06614 Anti-dust blow-up shield
06620 Anti-dust blow-up shield + bugscreen

SERVICE AND MAINTENANCE

Standard Warranty takes care of 1 year complete vehicle as supplied by the OEM (excl. real wear parts), 2nd year driveline and 1st year breakdown.; ITS service.

Optional

08311 Service interval extended

VEHICLE DELIVERY

Minimum toolkit.

Optional

07569 Lifting jack

OPTION PACKAGES

Optional

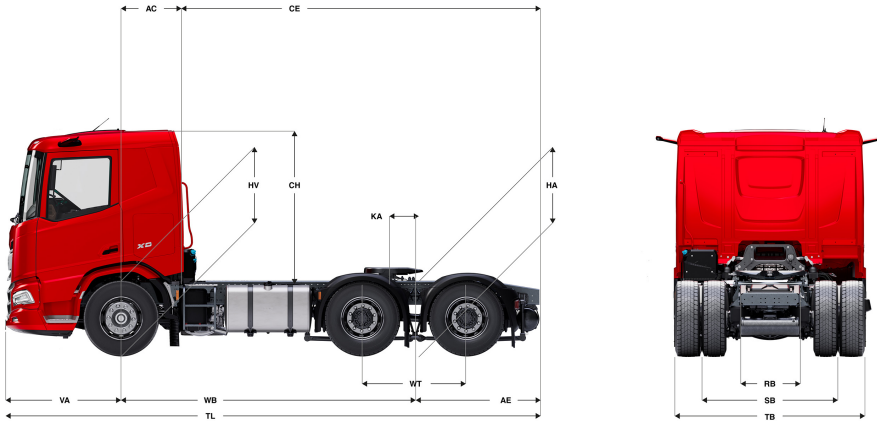
17448 Safety pack

17595 Executive Pack XD/XF

Go to [DAF.com](https://www.daf.com) to configure your own perfect DAF.

XD 370

FTT 6X4 Tractor



	Wheelbase - AE		Unladen weight ¹⁾			Gross Carrying Capacity			Variable dimensions									
	WB	AE ⁵⁾	Front	Rear	Total	Front	Rear	Total	AC	CE	CH	KA ⁶⁾	TL	HA ⁷⁾	HA ⁸⁾	TK ⁹⁾	TW ¹⁰⁾	
DAY CAB	3,90	1,65	4960	4452	9412	3040	14548	16588	0,50	5,05	2,01	0,37	7,08	1,03	1,00	13,76	15,14	
SLEEPER CAB	3,90	1,65	5005	4362	9366	2995	14638	16634	0,83	4,72	2,01	0,37	7,08	1,03	1,01	13,76	15,14	
	4,55	1,65	5034	4433	9467	2966	14567	16533	0,83	5,37	2,01	0,37	7,73	1,03	1,01	15,44	16,86	
SLEEPER HIGH CAB	3,90	1,65	5035	4361	9396	2965	14639	16604	0,83	4,72	2,49	0,37	7,08	1,03	1,01	13,76	15,14	
	4,55	1,65	5064	4433	9496	2936	14567	16504	0,83	5,37	2,49	0,37	7,73	1,03	1,01	15,44	16,86	

OTHER DIMENSIONS	VA: 1,53	WT: 1,40	HV ¹¹⁾ : 1,02	HV ¹²⁾ : 0,94	RB: 0,79	SB: 1,82	TB ¹³⁾ : 2,48
------------------	----------	----------	--------------------------	--------------------------	----------	----------	--------------------------

1) GVM in conformity with registration documents.
 2) GCM in conformity with registration documents.
 3) Axle load with standard tyre size.
 4) Chassis and cab weight calculated with: Standard specification items only with 430 litres of fuel, 40 litres of AdBlue® and driver of 90 kg, tolerance ± 3%. Changing of the specification can have major impact on vehicle weight.
 5) Other AE dimensions may be available for shown WB.
 6) Calculate customer specific KA with TOPEC.

7) Unladen height at centre of driven axle(s).
 8) Laden height at centre of driven axle(s).
 9) TK = turning circle between kerbs.
 10) TW = turning circle between walls.
 11) Unladen height at centre of front axle(s).
 12) Laden height at centre of front axle(s).
 13) TB is overall width at rear. (At centre of front axle 255).

Depending on the vehicle configuration a specific option may not be possible. The availability and specification of this vehicle may differ per country. For further information please contact the DAF organisation. Pictures and technical illustrations are not binding in detail and can differ from the standard specification. Subject to modification without prior notice.