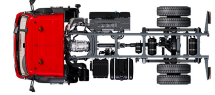


Specification sheet

XBC 230

FA 4X2 Rigid, 19t



ENGINES

XBC NewGen 230 PX-7 (167 kW / 227 hp)
XBC NewGen 260 PX-7 (189 kW / 257 hp)
XBC NewGen 290 PX-7 (212 kW / 287 hp)
XBC NewGen 310 PX-7 (227 kW / 308 hp)

GVM¹⁾

18000 kg
Max. front 7500 kg
Max. rear 11500 kg

GCM²⁾

19000 kg

016F5803ABAA - 202513D - 11-12-2024

DAF Trucks Ltd, UK, Haddenham, HP17 8LJ, www.daf.co.uk

CAB EXTERIOR

Day Cab with steel bumper, tinted glass and electric window openers. Main mirrors and wide angle mirrors electrically heated. Cab width 2130 mm.; Electrically adjustable mirrors; Mirror brackets, body 2.50-2.60 m; Front view mirror; Rear view camera.

Optional

- | | |
|---|--|
| 01605 Cab suspension mechanical reinforced | 00915 Side no glass / rear single glass |
| 06629 Two hazard beacon lights | 09101 Green tinted glass, heated |
| 02083 Two hazard beacon lights LED | 09283 Mirror brackets, body 2.40-2.50 m |
| 07343 Kerb view window co-driver door | |

AERODYNAMICS

Optional

- | | |
|---|--|
| 09286 Roof air deflector prepared | 07092 Adjustable roof air deflector low (set) |
| 06776 Adjustable roof air deflector | 09287 Side collars prepared |
| 07109 Adjustable roof air deflector high (set) | 07112 Side collars long (set) |

COLOURS

; Head lamp panel and bumper: Stone Grey; Lower step cover, cab steps and wing Stone Grey.; Chassis colour grey..

Optional

- | | |
|---|--------------------------------------|
| 06485 Head lamp panel and bumper: cab colour | 16153 Cab and chassis colours |
|---|--------------------------------------|

CAB INTERIOR

Right-hand drive (RHD); Mechanically adjustable steering column; Driver seat: air suspended; Co-driver seat: fixed velour; Storage box on engine tunnel.

Optional

- | | |
|---|---|
| 01846 Left-hand drive (LHD) | 00967 Seat belts red |
| 09271 Steering wheel, leather, colour black | 16158 Seat types |
| 03516 Pneumatically adjustable steering column | 04246 Roof hatch, manual control |

COMMUNICATION AND DRIVING MANAGEMENT

FMS connector, prepared; Tachograph digital, Stoneridge 1C version G2V2; Driver Performance Assistant.

Optional

- | |
|---|
| 16155 Audio equipment, makes and types |
|---|

SAFETY AND SECURITY

Speed limit recognition; DAF drowsiness detection; Drive-off Assist.

Optional

- | | |
|--|---------------------------------|
| 08631 Air bag (driver) and 2 seat belt tensioners | 01723 No reverse warning |
| 07414 Reverse warning with self-adjusting volume | 16156 EC-ADR packages |

SUSPENSION AND AXLES

Front axle type 152N, 100 mm vertical offset. Parabolic leaf suspension with shock absorbers and stabiliser. Max. load 7.5 tonnes.; Single reduction driven rear axle type SR1132 with asymmetric parabolic leaf suspension, including shock absorbers. Max. load 11.5 tonnes..

WHEELS AND TYRES

Front axle(s): 315/80R22.5; Driven rear axle(s): 315/80R22.5; Goodyear; Wheel protection rings silvergrey.

Optional

- | | |
|--|---|
| 06764 Wheel protection rings black | 16152 Tyre makes and types black |
| 06766 Wheel protection rings chromium DAF | |

DRIVELINE

Engine PX-7, 6 cylinder diesel engine, 6.7 litres. Output 167 kW (227 hp) at 1900 rpm. Max. torque 890 Nm at 1000-1700 rpm.; Exhaust emission Euro 6; Manual gearbox, 6 speeds; Gearbox ratio 6.75-0.78; Rear axle ratio 5.13.

Optional

- | | |
|---|-----------------------------------|
| 04393 Manual gearbox, 9 speeds | 02800 Rear axle ratio 4.10 |
| 07667 Automatic gearbox PowerLine, 8-speed | 02808 Rear axle ratio 4.56 |
| 02313 Gearbox direct drive | 03315 Rear axle ratio 5.63 |
| 01879 Rear axle ratio 3.73 | |

BRAKE SYSTEM

Exhaust brake.

Optional

- | |
|---|
| 09524 Park brake control with spoken warning |
|---|

CHASSIS

Wheelbase 3.45 m / rear overhang 1.12 m; Side member height 270 mm; EAS unit right, vertical discharge; Battery box left, no spare wheel carrier; Plastic fuel tank 200 l; Tank for AdBlue® 30 l, right-hand side chassis; No front underrun protection; No spray suppression.

Optional

- | | |
|--|-----------------------------------|
| 04439 Battery box left, spare wheel carrier right | 03323 Rear light with LEDs |
| 07071 Spare wheel carrier right-hand side | |

DRAWBAR AND TRAILER EQUIPMENT

Closing member D-value = 0kN.

BODIES AND PREPARATIONS FOR BODYING

Application connector chassis; Standard body attachment hole pattern.

Optional

- | | |
|---|---|
| 06691 Application connector on the cab front | 09240 Application connector for refuse collector |
| 02950 Application connector for hydraulic platform | 01502 No side marker lights |

POWER TAKE-OFF (PTO)

Optional

06282 Rear eng PTO 13h, permanent, pump drive **16148** PTO types and positions

24V POWER SUPPLY

Alternator 80 A, batteries 2x 125 Ah..

Optional

01897 Alternator 100 A **08797** Batteries 2x175Ah

GVM AND GCM

Chassis weight related technical GVM max 19000 kg; Driveline related technical GCM equal to GVM.

Optional

00064 Driveline related max GCM 22500 kg

APPLICATION CONDITIONS

Moisture separator, unheated; Air intake high behind cab.

Optional

02270 Cold climate **09960** Air intake on the cab roof
04767 Moisture separator, heated

VEHICLE DELIVERY

Standard toolkit.

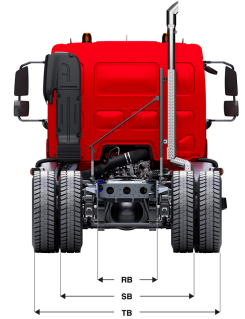
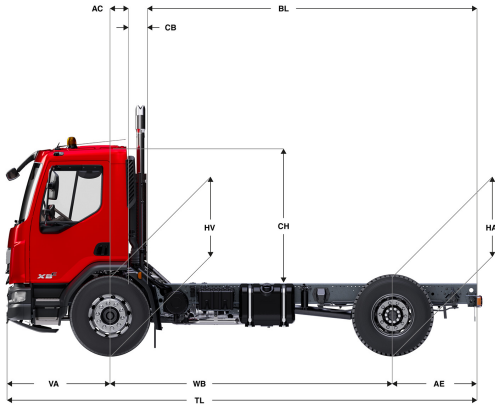
Optional

06491 Toolkit Eastern Europe

Go to [DAF.com](https://www.daf.com) to configure your own perfect DAF.

XBC 230

FA 4X2 Rigid, 19t



	Wheelbase - AE		Unladen weight ¹⁾			Gross Carrying Capacity			Variable dimensions									
	WB	AE ⁵⁾	Front	Rear	Total	Front	Rear	Total	AC	CB ⁶⁾	CH ⁷⁾	BL ⁸⁾	BL	TL	HA ⁹⁾	HA ¹⁰⁾	TK ¹¹⁾	TW ¹²⁾
DAY CAB	3,45	1,12	3470	1745	5215	4030	9755	12785	0,24	0,21	1,88	3,99	3,99	5,96	1,08	0,96	12,96	13,99
	3,75	1,12	3497	1754	5251	4003	9746	12749	0,24	0,21	1,88	4,42	4,42	6,26	1,08	0,97	13,78	14,82
	4,15	1,12	3520	1754	5274	3980	9746	12726	0,24	0,21	1,88	4,99	4,99	6,66	1,08	0,98	14,87	15,93
	4,45	1,12	3543	1766	5309	3957	9734	12691	0,24	0,21	1,88	5,44	5,44	6,96	1,08	0,98	15,69	16,77
	4,75	1,12	3557	1770	5327	3943	9730	12674	0,24	0,21	1,88	5,86	5,86	7,26	1,08	0,98	16,51	17,60

OTHER DIMENSIONS VA: 1,39 HV¹³⁾: 1,00 HV¹⁴⁾: 0,90 RB: 0,79 SB: 1,83 TB¹⁵⁾: 2,47

1) GVM in conformity with registration documents.
 2) GCM in conformity with registration documents.
 3) Axle load with standard tyre size.
 4) Chassis and cab weight calculated with: Standard specification items only with 200 litres of fuel, 30 litres of AdBlue® and driver of 90 kg, tolerance ± 3%. Changing of the specification can have major impact on vehicle weight.
 5) Other AE dimensions may be available for shown WB. Modify rear overhang to the calculated body length.
 6) CB is based on standard air intake and/or exhaust.
 7) Cab height is measured from frame member to closed cabin roof hatch.

8) Calculate customer specific body length with TOPEC. Body lengths shown based on evenly distributed load at max axle load.
 9) Unladen height at centre of driven axle(s).
 10) Laden height at centre of driven axle(s).
 11) TK = turning circle between kerbs.
 12) TW = turning circle between walls.
 13) Unladen height at centre of front axle(s).
 14) Laden height at centre of front axle(s).
 15) TB is overall width at rear. (At centre of front axle 255).

Depending on the vehicle configuration a specific option may not be possible. The availability and specification of this vehicle may differ per country. For further information please contact the DAF organisation. Pictures and technical illustrations are not binding in detail and can differ from the standard specification. Subject to modification without prior notice.