

Specification sheet

XD 370

FAN 6X2 Rigid, Low Deck



ENGINES

XD NewGen 370 MX-11 (270 kW / 367 hp)

XD NewGen 410 MX-11 (300 kW / 408 hp)

XD NewGen 450 MX-11 (330 kW / 449 hp)

GVM¹⁾

26000 kg

Max. front 7500 kg

Max. rear 18999 kg

GCM²⁾

38000 kg

CAB EXTERIOR

Luxurious Day Cab with unrivalled aerodynamics for fuel efficient driving and low CO2 emissions. The huge and deep frontscreen, curved at the sides combined with large side windows offer an unsurpassed direct view for the driver, to enhance road safety. Cab length: 2030 mm; cab width: 2500 mm. Number of cab entrance steps: 2.; Cab suspension mechanical; LED head lights; DAF Corner View.

Optional

| | |
|---|---|
| 07018 Sleeper Cab | 01836 LED Skylights |
| 06244 Sleeper High Cab | 00949 LED Skylights; aux. LED lights on cab rf, prepared |
| 02952 Chassis front execution: bottom plate aero | 01925 Two LED work lamps for cab rear wall |
| 03353 Chassis front execution: protruding | 01891 Hazard beacons on cab front, prepared |
| 07586 Chassis front execution: robust | 06629 Two hazard beacon lights |
| 01226 Cab suspension air | 03232 Front windscreen with solar control foil |
| 03358 External sun visor | 03317 Rear window: double glass |
| 03922 Fog lights front | 07343 Kerb view window co-driver door |
| 00936 Auxiliary LED lights on cab roof, prepared | 01362 DAF Digital Vision System |

AERODYNAMICS

Optional

| | |
|--|--|
| 03846 No roof air deflector | 02662 Adj. roof air defl. long mid XD Sleeper High Cab |
| 00008 Adj. roof air deflector short Sleeper High Cab | 00097 Adj. roof air deflector for Sleeper Cab |
| 00124 Adj. rf air defl.long mid >4m(!) Sleeper High Cab | 00020 Adj. roof air deflector long low Sleeper High Cab |
| 01538 Adj. roof air defl. long high >4m(!) Sleeper High | |

COLOURS

Cab colour E1980 Crystal White; Chassis colour grey.; Colour of bumper: Crystal White.

CAB INTERIOR

Cab interior trim colour: Luxury; Dashboard finish: Vision; Cab interior decoration: Hexagon; Driver seat: Comfort Air; Co-driver seat: cinema with fabric cover; No dashboard table; Storage compartment in centre; Automatic Temperature Control and airco; No auxiliary cab heater.

Optional

| | |
|--|---|
| 02354 Steering wheel with silver accents | 02117 Third seat |
| 02355 Steering wheel, leather | 02837 Dashboard table |
| 02353 Cab interior decoration: Argenta | 03948 Single drawer |
| 02350 Cab interior decoration: Natura | 03954 Refrigerator |
| 07733 Driver seat: Luxury Air | 02838 Foam mattress for lower bunk |
| 07736 Driver seat: Super Air | 02854 Xtra Comfort mattress for lower bunk |
| 07737 Driver seat: Xtra Leather Air | 01775 Xtra Comfort mattress with topper for lower bunk |
| 09541 Arm rest driver seat | 06970 Automatic Cab Climate Control |
| 01740 Arm rest at both sides of the driver seat | |

COMMUNICATION AND DRIVING MANAGEMENT

PACCAR Connect; Tachograph digital, Stoneridge 1C version G2V2; Speed limiter setting 85/90 km/h; DAF Infotainment Luxury with Luxury speakers; Adaptive Cruise Control with FCW and AEBS-3; Driver Performance Assistant.

Optional

| | |
|---|---|
| 09681 Preparation for Maut | 03470 DAF Infotainment System: Exclusive, prepared |
| 06211 DAF Infotainment System with FM/DAB/DAB+ radio | 01915 DAF Infotainment System: Luxury Plus |

SAFETY AND SECURITY

Lane Departure Warning System; Vehicle Stability Control (VSC); Basic engine immobiliser system; No EC-ADR packages; DAF Side & Turn Assist.

Optional

| | |
|--|--|
| 08631 Air bag (driver) and 2 seat belt tensioners | 00795 Safety regulations EC ADR |
|--|--|

SUSPENSION AND AXLES

Front: 8.00 t, air suspension, 161N; Rear axle load 11.50 t; Rear: 19.50 t, air suspension, SR1344; Trailing axle load 8.0t; No lifting device.

Optional

| |
|-----------------------------------|
| 08191 Axle load monitoring |
|-----------------------------------|

WHEELS AND TYRES

Driven rear axle(s): 315/60R22.5; F1,315/60R22.5GO FMXSE 154/148 L Steering BBB 3P; R1,315/60R22.5GO GFDND 152/148 L Traction BBB 3P; R2,315/60R22.5GO FMXSE 154/148 L Steering BBB 3P.

Optional

| |
|-----------------------------------|
| 16152 Tyre makes and types |
|-----------------------------------|

DRIVELINE

Engine MX-11, multi torque 6 cylinder diesel engine, 10.8 litres. Output 270 kW (367 hp) at 1600 rpm. Maximum torque 1950 Nm at 900-1125 rpm.; Exhaust emission Euro 6; Eco fuel; 12-speed TraXon 12TX2010 DD, 16.69-1.00; Gearbox ratio 16.69-1.00; Rear axle ratio 2.21.

Optional

| | |
|---|--|
| 07110 Eco performance | 08371 Long Combination Vehicle (LCV) |
| 01514 Urge-to-move | 09638 Off-road applications |
| 07101 Standard transport, Lite version | 01498 Off-road applications with Rock-free function |
| 09637 Liquid transport | 02843 Mechanical differential lock |

BRAKE SYSTEM

Exhaust brake; Ventilated disc brakes front and rear. Dual circuit air system with electronic control (EBS).Engine driven, water cooled aire compressor with automatic air heated dryer..

Optional

| | |
|------------------------------|---|
| 09921 MX Engine Brake | 01572 Park brake control electro-pneumatic |
| 02715 ZF Intarder | 01497 Park brake control pneumatic with spoken warning |

CHASSIS

Wheelbase 4.60 m / rear overhang 2.75 m; Side member height 260 mm; Standard component location; 450 l alu fuel tank LH, height 505 mm; Tank for AdBlue® 45 l, left-hand side chassis; Front underrun protection (FUP); Spray suppression.

Optional

- 16157** Fuel tanks, material and sizes
07071 Spare wheel carrier right-hand side
03323 Rear light with LEDs

DRAWBAR AND TRAILER EQUIPMENT

Closing member D-value = 0kN.

Optional

- 07033** Trailer coupling Ringfeder D=13.7
07034 Trailer coupling Ringfeder D=20.0
08026 Trailer coupling Rockinger D=13.0
08027 Trailer coupling Rockinger D=20.0
04659 Trailer cable EBS

BODIES AND PREPARATIONS FOR BODYING

Application connector chassis.

Optional

- 09421** Additional spare wiring
08121 Tail lift application

POWER TAKE-OFF (PTO)

Optional

- 16148** PTO types and positions

24V POWER SUPPLY

Alternator 130 A, batteries 2x 140 Ah..

Optional

- 08775** Alternator 150 A
08797 Batteries 2x175Ah
07671 Batteries 2x210Ah AGM C-type
06440 Batteries 2x230Ah

GVM AND GCM

Chassis weight related technical GVM max 27000 kg; Driveline related max GCM 38000 kg class 2.

Optional

- 00209** Driveline related max GCM 40000 kg class 3
03673 Driveline related max GCM 44000 kg class 2
03675 Driveline related max GCM 50000 kg class 3

APPLICATION CONDITIONS

Air intake front.

Optional

- 08400** Silent mode
02260 Extra cab insulation
03648 Cyclonic air intake high
06614 Anti-dust blow-up shield
06620 Anti-dust blow-up shield + bugscreen

SERVICE AND MAINTENANCE

Standard Warranty takes care of 1 year complete vehicle as supplied by the OEM (excl. real wear parts), 2nd year driveline and 1st year breakdown.; ITS service.

Optional

- 08311** Service interval extended

VEHICLE DELIVERY

Minimum toolkit.

Optional

- 07569** Lifting jack

OPTION PACKAGES

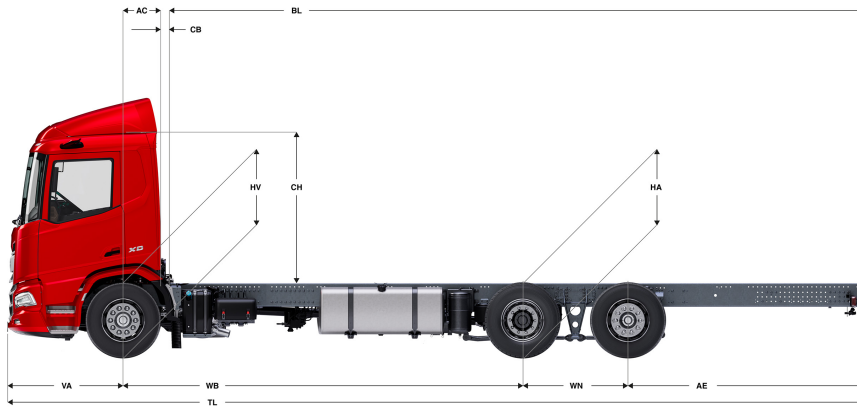
Optional

- 17448** Safety pack
17595 Executive Pack XD/XF

Go to [DAF.com](https://www.daf.com) to configure your own perfect DAF.

XD 370

FAN 6X2 Rigid, Low Deck



| | Wheelbase - AE | | Unladen weight ¹⁾ | | | Gross Carrying Capacity | | | Variable dimensions | | | | | | | | | |
|------------------|----------------|------------------|------------------------------|------|-------|-------------------------|-------|-------|---------------------|------------------|------|------------------|------|-------|------------------|------------------|-------------------|-------------------|
| | WB | AE ⁵⁾ | Front | Rear | Total | Front | Rear | Total | AC | CB ⁶⁾ | CH | BL ⁷⁾ | BL | TL | HA ⁸⁾ | HA ⁹⁾ | TK ¹⁰⁾ | TW ¹¹⁾ |
| DAY CAB | 4,60 | 2,75 | 5243 | 3301 | 8543 | 2257 | 15698 | 17457 | 0,50 | 0,07 | 2,82 | 7,75 | 7,75 | 10,28 | 0,89 | 0,89 | 15,56 | 16,98 |
| | 4,80 | 2,90 | 5250 | 3373 | 8623 | 2250 | 15626 | 17377 | 0,50 | 0,07 | 2,82 | 8,09 | 8,09 | 10,63 | 0,89 | 0,89 | 16,08 | 17,51 |
| | 5,05 | 3,10 | 5241 | 3419 | 8660 | 2259 | 15580 | 17340 | 0,50 | 0,07 | 2,82 | 8,52 | 8,52 | 11,08 | 0,89 | 0,89 | 16,73 | 18,17 |
| | 5,30 | 3,15 | 5244 | 3443 | 8687 | 2256 | 15556 | 17313 | 0,50 | 0,07 | 2,82 | 8,95 | 8,95 | 11,38 | 0,89 | 0,89 | 17,39 | 18,83 |
| SLEEPER CAB | 4,60 | 2,75 | 5371 | 3304 | 8675 | 2129 | 15695 | 17325 | 0,83 | 0,07 | 2,82 | 7,17 | 7,17 | 10,28 | 0,89 | 0,89 | 15,56 | 16,98 |
| | 4,80 | 2,90 | 5379 | 3376 | 8754 | 2121 | 15623 | 17246 | 0,83 | 0,07 | 2,82 | 7,50 | 7,50 | 10,63 | 0,89 | 0,89 | 16,08 | 17,51 |
| | 5,05 | 3,10 | 5370 | 3422 | 8791 | 2130 | 15577 | 17209 | 0,83 | 0,07 | 2,82 | 7,93 | 7,93 | 11,08 | 0,89 | 0,89 | 16,73 | 18,17 |
| | 5,30 | 3,15 | 5373 | 3446 | 8819 | 2127 | 15553 | 17181 | 0,83 | 0,07 | 2,82 | 8,37 | 8,37 | 11,38 | 0,89 | 0,89 | 17,39 | 18,83 |
| SLEEPER HIGH CAB | 4,60 | 2,75 | 5340 | 3300 | 8639 | 2160 | 15699 | 17361 | 0,83 | 0,07 | 2,68 | 7,15 | 7,15 | 10,28 | 0,89 | 0,89 | 15,56 | 16,98 |
| | 4,80 | 2,90 | 5347 | 3372 | 8719 | 2153 | 15627 | 17281 | 0,83 | 0,07 | 2,68 | 7,49 | 7,49 | 10,63 | 0,89 | 0,89 | 16,08 | 17,51 |
| | 5,05 | 3,10 | 5339 | 3417 | 8756 | 2161 | 15581 | 17244 | 0,83 | 0,07 | 2,68 | 7,91 | 7,91 | 11,08 | 0,89 | 0,89 | 16,73 | 18,17 |
| | 5,30 | 3,15 | 5342 | 3441 | 8783 | 2158 | 15557 | 17217 | 0,83 | 0,07 | 2,68 | 8,35 | 8,35 | 11,38 | 0,89 | 0,89 | 17,39 | 18,83 |

OTHER DIMENSIONS VA: 1,53 WN: 1,40 HV¹²⁾: 0,89 HV¹³⁾: 0,88 RB: 0,79 SB: 1,82 TB¹⁴⁾: 2,48

1) GVM in conformity with registration documents.
 2) GCM in conformity with registration documents.
 3) Axle load with standard tyre size.
 4) Chassis and cab weight calculated with: Standard specification items only with 450 litres of fuel, 45 litres of AdBlue® and driver of 90 kg, tolerance ± 3%. Changing of the specification can have major impact on vehicle weight.
 5) Other AE dimensions may be available for shown WB. Modify rear overhang to the calculated body length.
 6) CB is based on standard air intake and/or exhaust.
 7) Calculate customer specific body length with TOPEC. Body lengths shown based on evenly distributed load at max axle load.

8) Unladen height at centre of driven axle (trailing axle down).
 9) Laden height at centre of driven axle(s).
 10) TK = turning circle between kerbs.
 11) TW = turning circle between walls.
 12) Unladen height at centre of front axle(s).
 13) Laden height at centre of front axle(s).
 14) TB is overall width at rear. (At centre of front axle 255).

Depending on the vehicle configuration a specific option may not be possible. The availability and specification of this vehicle may differ per country. For further information please contact the DAF organisation. Pictures and technical illustrations are not binding in detail and can differ from the standard specification. Subject to modification without prior notice.

016F012-1RAAA - 202513E - 11-12-2024