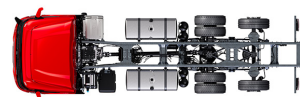


Specification sheet

XD 370

FAR 6X2 Rigid, Low Deck, single mounted trailing axle



ENGINES

- XD NewGen 370 MX-11 (270 kW / 367 hp)
- XD NewGen 410 MX-11 (300 kW / 408 hp)
- XD NewGen 450 MX-11 (330 kW / 449 hp)

GVM¹⁾

26000 kg

Max. front 7500 kg

Max. rear 18999 kg

GCM²⁾

38000 kg

CAB EXTERIOR

Luxurious Day Cab with unrivalled aerodynamics for fuel efficient driving and low CO2 emissions. The huge and deep frontscreen, curved at the sides combined with large side windows offer an unsurpassed direct view for the driver, to enhance road safety. Cab length: 2030 mm; cab width: 2500 mm. Number of cab entrance steps: 2.; Cab suspension mechanical; LED head lights; DAF Corner View.

Optional

07018 Sleeper Cab	01836 LED Skylights
06244 Sleeper High Cab	00949 LED Skylights; aux. LED lights on cab rf, prepared
02952 Chassis front execution: bottom plate aero	01925 Two LED work lamps for cab rear wall
03353 Chassis front execution: protruding	01891 Hazard beacons on cab front, prepared
07586 Chassis front execution: robust	06629 Two hazard beacon lights
01226 Cab suspension air	03232 Front windscreen with solar control foil
03358 External sun visor	03317 Rear window: double glass
03922 Fog lights front	07343 Kerb view window co-driver door
00936 Auxiliary LED lights on cab roof, prepared	01362 DAF Digital Vision System

AERODYNAMICS

Optional

03846 No roof air deflector	02662 Adj. roof air defl. long mid XD Sleeper High Cab
00008 Adj. roof air deflector short Sleeper High Cab	00097 Adj. roof air deflector for Sleeper Cab
00124 Adj. rf air defl.long mid >4m(!) Sleeper High Cab	00020 Adj. roof air deflector long low Sleeper High Cab
01538 Adj. roof air defl. long high >4m(!) Sleeper High	

COLOURS

Cab colour E1980 Crystal White; Chassis colour grey.; Colour of bumper: Crystal White.

CAB INTERIOR

Cab interior trim colour: Luxury; Dashboard finish: Vision; Cab interior decoration: Hexagon; Driver seat: Comfort Air; Co-driver seat: cinema with fabric cover; No dashboard table; Storage compartment in centre; Automatic Temperature Control and airco; No auxiliary cab heater.

Optional

02354 Steering wheel with silver accents	02117 Third seat
02355 Steering wheel, leather	02837 Dashboard table
02353 Cab interior decoration: Argenta	03948 Single drawer
02350 Cab interior decoration: Natura	03954 Refrigerator
07733 Driver seat: Luxury Air	02838 Foam mattress for lower bunk
07736 Driver seat: Super Air	02854 Xtra Comfort mattress for lower bunk
07737 Driver seat: Xtra Leather Air	01775 Xtra Comfort mattress with topper for lower bunk
09541 Arm rest driver seat	06970 Automatic Cab Climate Control
01740 Arm rest at both sides of the driver seat	

COMMUNICATION AND DRIVING MANAGEMENT

PACCAR Connect; Tachograph digital, Stoneridge 1C version G2V2; Speed limiter setting 85/90 km/h; DAF Infotainment Luxury with Luxury speakers; Adaptive Cruise Control with FCW and AEBS-3; Driver Performance Assistant.

Optional

09681 Preparation for Maut	03470 DAF Infotainment System: Exclusive, prepared
06211 DAF Infotainment System with FM/DAB/DAB+ radio	01915 DAF Infotainment System: Luxury Plus

SAFETY AND SECURITY

Lane Departure Warning System; Vehicle Stability Control (VSC); Basic engine immobiliser system; No EC-ADR packages; DAF Side & Turn Assist.

Optional

08631 Air bag (driver) and 2 seat belt tensioners	00795 Safety regulations EC ADR
--	--

SUSPENSION AND AXLES

Front: 8.00 t, air suspension, 161N; Rear axle load 11.50 t; Rear: 19.00 t, air suspension, SR1344; Trailing axle load 7.5t; No lifting device.

Optional

08191 Axle load monitoring

WHEELS AND TYRES

Driven rear axle(s): 315/60R22.5; F1,315/60R22.5GO FMXSE 154/148 L Steering BBB 3P; R1,315/60R22.5GO GFDND 152/148 L Traction BBB 3P; R2,315/60R22.5GO FMXSE 154/148 L Steering BBB 3P.

Optional

16152 Tyre makes and types

DRIVELINE

Engine MX-11, multi torque 6 cylinder diesel engine, 10.8 litres. Output 270 kW (367 hp) at 1600 rpm. Maximum torque 1950 Nm at 900-1125 rpm.; Exhaust emission Euro 6; Eco fuel; 12-speed TraXon 12TX2010 DD, 16.69-1.00; Gearbox ratio 16.69-1.00; Rear axle ratio 2.21.

Optional

07110 Eco performance	08371 Long Combination Vehicle (LCV)
01514 Urge-to-move	09638 Off-road applications
07101 Standard transport, Lite version	01498 Off-road applications with Rock-free function
09637 Liquid transport	02843 Mechanical differential lock

BRAKE SYSTEM

Exhaust brake; Ventilated disc brakes front and rear. Dual circuit air system with electronic control (EBS).Engine driven, water cooled aire compressor with automatic air heated dryer..

Optional

09921 MX Engine Brake	01572 Park brake control electro-pneumatic
02715 ZF Intarder	01497 Park brake control pneumatic with spoken warning

CHASSIS

Wheelbase 4.60 m / rear overhang 2.75 m; Side member height 260 mm; Standard component location; 450 l alu fuel tank LH, height 505 mm; Tank for AdBlue® 45 l, left-hand side chassis; Front underrun protection (FUP); Spray suppression.

Optional

- 16157** Fuel tanks, material and sizes
07071 Spare wheel carrier right-hand side
03323 Rear light with LEDs
04659 Trailer cable EBS

DRAWBAR AND TRAILER EQUIPMENT

Closing member D-value = 0kN.

Optional

- 07033** Trailer coupling Ringfeder D=13.7
07034 Trailer coupling Ringfeder D=20.0
08026 Trailer coupling Rockinger D=13.0
08027 Trailer coupling Rockinger D=20.0
04659 Trailer cable EBS

BODIES AND PREPARATIONS FOR BODYING

Application connector chassis.

Optional

- 09421** Additional spare wiring
08121 Tail lift application

POWER TAKE-OFF (PTO)

Optional

- 16148** PTO types and positions

24V POWER SUPPLY

Alternator 110 A, batteries 2x 140 Ah..

Optional

- 04492** Alternator 130 A
08775 Alternator 150 A
08797 Batteries 2x175Ah
07671 Batteries 2x210Ah AGM C-type
06440 Batteries 2x230Ah

GVM AND GCM

Chassis weight related technical GVM max 27000 kg; Driveline related max GCM 38000 kg class 2.

Optional

- 00209** Driveline related max GCM 40000 kg class 3
03673 Driveline related max GCM 44000 kg class 2
03675 Driveline related max GCM 50000 kg class 3

APPLICATION CONDITIONS

Air intake front.

Optional

- 02260** Extra cab insulation
03648 Cyclonic air intake high
06614 Anti-dust blow-up shield
06620 Anti-dust blow-up shield + bugscreen

SERVICE AND MAINTENANCE

Standard Warranty takes care of 1 year complete vehicle as supplied by the OEM (excl. real wear parts), 2nd year driveline and 1st year breakdown.; ITS service.

Optional

- 08311** Service interval extended

VEHICLE DELIVERY

Minimum toolkit.

Optional

- 07569** Lifting jack

OPTION PACKAGES

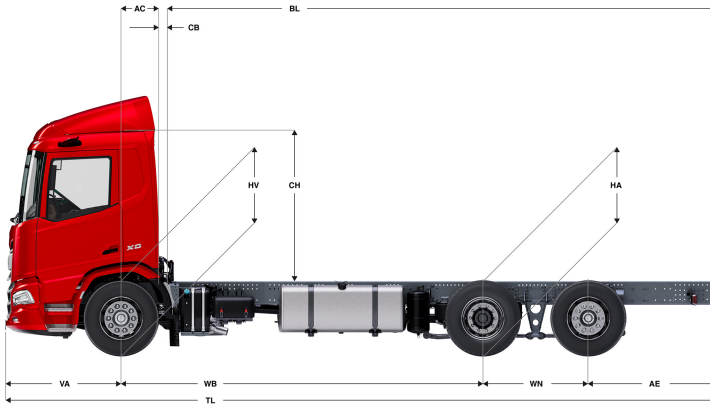
Optional

- 17448** Safety pack
17595 Executive Pack XD/XF

Go to [DAF.com](https://www.daf.com) to configure your own perfect DAF.

XD 370

FAR 6X2 Rigid, Low Deck, single mounted trailing axle



	Wheelbase - AE		Unladen weight ¹⁾			Gross Carrying Capacity			Variable dimensions									
	WB	AE ⁵⁾	Front	Rear	Total	Front	Rear	Total	AC	CB ⁶⁾	CH	BL ⁷⁾	BL	TL	HA ⁸⁾	HA ⁹⁾	TK ¹⁰⁾	TW ¹¹⁾
DAY CAB	4,60	2,75	5100	3280	8380	2400	15719	17620	0,50	0,07	2,82	7,68	7,68	10,28	0,89	0,89	17,00	18,44
	4,80	2,90	5106	3354	8460	2394	15644	17540	0,50	0,07	2,82	8,01	8,01	10,63	0,89	0,89	17,52	18,97
	5,05	2,90	5109	3374	8482	2391	15625	17518	0,50	0,07	2,82	8,44	8,44	10,88	0,89	0,89	18,18	19,63
	5,30	2,90	5114	3393	8507	2386	15606	17493	0,50	0,07	2,82	8,88	8,88	11,13	0,89	0,89	18,83	20,30
SLEEPER CAB	4,60	2,75	5226	3283	8509	2274	15716	17491	0,83	0,07	2,82	7,09	7,09	10,28	0,89	0,89	17,00	18,44
	4,80	2,90	5232	3357	8589	2268	15641	17411	0,83	0,07	2,82	7,42	7,42	10,63	0,89	0,89	17,52	18,97
	5,05	2,90	5234	3377	8611	2266	15622	17389	0,83	0,07	2,82	7,85	7,85	10,88	0,89	0,89	18,18	19,63
	5,30	2,90	5240	3396	8635	2260	15603	17365	0,83	0,07	2,82	8,29	8,29	11,13	0,89	0,89	18,83	20,30
SLEEPER HIGH CAB	4,60	2,75	5195	3278	8473	2305	15721	17527	0,83	0,07	2,68	7,07	7,07	10,28	0,89	0,89	17,00	18,44
	4,80	2,90	5201	3353	8554	2299	15646	17446	0,83	0,07	2,68	7,40	7,40	10,63	0,89	0,89	17,52	18,97
	5,05	2,90	5204	3372	8576	2296	15627	17424	0,83	0,07	2,68	7,83	7,83	10,88	0,89	0,89	18,18	19,63
	5,30	2,90	5209	3391	8600	2291	15608	17400	0,83	0,07	2,68	8,27	8,27	11,13	0,89	0,89	18,83	20,30

OTHER DIMENSIONS	VA: 1,53	WN: 1,40	HV ¹²⁾ : 0,89	HV ¹³⁾ : 0,88	RB: 0,79	SB: 1,82	TB ¹⁴⁾ : 2,48
------------------	----------	----------	--------------------------	--------------------------	----------	----------	--------------------------

1) GVM in conformity with registration documents.
 2) GCM in conformity with registration documents.
 3) Axle load with standard tyre size.
 4) Chassis and cab weight calculated with: Standard specification items only with 450 litres of fuel, 45 litres of AdBlue® and driver of 90 kg, tolerance ± 3%. Changing of the specification can have major impact on vehicle weight.
 5) Other AE dimensions may be available for shown WB. Modify rear overhang to the calculated body length.
 6) CB is based on standard air intake and/or exhaust.
 7) Calculate customer specific body length with TOPEC. Body lengths shown based on evenly distributed load at max axle load.

8) Unladen height at centre of driven axle (trailing axle down).
 9) Laden height at centre of driven axle(s).
 10) TK = turning circle between kerbs.
 11) TW = turning circle between walls.
 12) Unladen height at centre of front axle(s).
 13) Laden height at centre of front axle(s).
 14) TB is overall width at rear. (At centre of front axle 255).

Depending on the vehicle configuration a specific option may not be possible. The availability and specification of this vehicle may differ per country. For further information please contact the DAF organisation. Pictures and technical illustrations are not binding in detail and can differ from the standard specification. Subject to modification without prior notice.