

Specification sheet

XD 300

FT 4X2 Tractor, Low Deck



ENGINES

XD NewGen 300 MX-11 (220 kW / 299 hp)
XD NewGen 340 MX-11 (251 kW / 341 hp)
XD NewGen 370 MX-11 (270 kW / 367 hp)
XD NewGen 410 MX-11 (300 kW / 408 hp)
XD NewGen 450 MX-11 (330 kW / 449 hp)

GVM¹⁾

18000 kg
Max. front 7500 kg
Max. rear 11500 kg

GCM²⁾

44000 kg

OPTION PACKAGES

Optional

17448 Safety pack 17595 Executive Pack XD/XF

CAB EXTERIOR

; Cab suspension mechanical; LED head lights; DAF Corner View.

Optional

06244 Sleeper High Cab 00949 LED Skylights; aux. LED lights on cab rf, prepared
01226 Cab suspension air
03358 External sun visor 01925 Two LED work lamps for cab rear wall
06790 Aluminium ladder 1-piece 01891 Hazard beacons on cab front, prepared
06791 Aluminium ladder 2-piece
03922 Fog lights front 06629 Two hazard beacon lights
00936 Auxiliary LED lights on cab roof, prepared 03232 Front windscreen with solar control foil
01836 LED Skylights 03317 Rear window: double glass
07343 Kerb view window co-driver door
01362 DAF Digital Vision System

AERODYNAMICS

Optional

00010 Adj. roof air deflector short Sleeper High Cab 00118 Adj. roof air deflector for Sleeper Cab
00138 Adj. rf air defl.long mid >4m(!) Sleeper High Cab 00021 Adj. roof air deflector long low Sleeper High Cab
01552 Adj. roof air defl. long high >4m(!) Sleeper High 04906 Side collars, one side hinged
02665 Adj. roof air defl. long mid XD Sleeper High Cab 03074 Side collars, both sides hinged

COLOURS

Cab colour E1980 Crystal White; Chassis colour grey.; Colour of bumper: Crystal White.

CAB INTERIOR

Cab interior trim colour: Luxury; Dashboard finish: Vision; Cab interior decoration: Hexagon; Driver seat: Comfort Air; Co-driver seat: cinema with fabric cover; No dashboard table; Storage compartment in centre; Automatic Temperature Control and aircro; Auxiliary cab heater (water).

Optional

02353 Cab interior decoration: Argenta 03948 Single drawer
02350 Cab interior decoration: Natura 03954 Refrigerator
07733 Driver seat: Luxury Air 02854 Xtra Comfort mattress for lower bunk
07736 Driver seat: Super Air 01775 Xtra Comfort mattress with topper for lower bunk
07737 Driver seat: Xtra Leather Air 01177 Luggage carrier
09541 Arm rest driver seat 01066 Upper bunk
01740 Arm rest at both sides of the driver seat 06970 Automatic Cab Climate Control
02837 Dashboard table

COMMUNICATION AND DRIVING MANAGEMENT

PACCAR Connect; Tachograph digital, Stoneridge 1C version G2V2; Speed limiter setting 85/90 km/h; DAF Infotainment Luxury with Luxury speakers; Adaptive Cruise Control with FCW and AEBs-3.

Optional

09681 Preparation for Maut 01915 DAF Infotainment System: Luxury Plus
06211 DAF Infotainment System with FM/DAB/DAB+ radio 16161 No audio equipment, makes and types
03470 DAF Infotainment System: Exclusive, prepared

SAFETY AND SECURITY

Lane Departure Warning System; Vehicle Stability Control (VSC); Basic engine immobiliser system; DAF Side & Turn Assist.

Optional

08631 Air bag (driver) and 2 seat belt tensioners 00795 Safety regulations EC ADR
02178 Main switch with second control in the cab

SUSPENSION AND AXLES

Front: 8.00 t, parabolic, 163N; Rear axle load 11.50 t; Rear: air suspension, SR1344; No lifting device.

Optional

04647 Front springs air 08191 Axle load monitoring
04588 Rear axle SR1347

WHEELS AND TYRES

Driven rear axle(s): 295/55R22.5; F1,315/60R22.5GO FMXSE 154/148 L Steering BBB 3P; R1,295/55R22.5GO FMAXD2 147/145 K Traction BBB 3P.

Optional

16152 Tyre makes and types

DRIVELINE

Engine MX-11, multi torque 6 cylinder diesel engine, 10.8 litres. Output 220 kW (299 hp) at 1600 rpm. Max. torque 1450 Nm at 900-1400 rpm.; Exhaust emission Euro 6; Eco fuel; 12-speed TraXon 12TX1810 OD, 12.92-0.77; Gearbox ratio 12.92-0.77; Rear axle ratio 2.64; ASR.

Optional

07110 Eco performance 08371 Long Combination Vehicle (LCV)
02313 Gearbox direct drive 09638 Off-road applications
01514 Urge-to-move 01498 Off-road applications with Rock-free function
07101 Standard transport, Lite version 02843 Mechanical differential lock
09637 Liquid transport

BRAKE SYSTEM

Exhaust brake; Ventilated disc brakes front and rear. Dual circuit air system with electronic control (EBS).Engine driven, water cooled air compressor with automatic air heated dryer.

Optional

09921 MX Engine Brake 01497 Park brake control pneumatic with spoken warning
02715 ZF Intarder
01572 Park brake control electro-pneumatic 04901 Spring brake cylinders on the first front axle

CHASSIS

Wheelbase 3.80 m / rear overhang 0.87 m; Side member height 260 mm; Standard component location; 400 l alu fuel tank LH, height 580 mm; Tank for AdBlue® 40 l, on left-hand mudguard; Front underrun protection (FUP); Catwalk with step; Rear mudguards; Spray suppression; Work lamp LED.

Optional

- 16157** Fuel tanks, material and sizes
03323 Rear light with LEDs
- 07071** Spare wheel carrier right-hand side

DRAWBAR AND TRAILER EQUIPMENT

JOST JSK37C cast iron 150+40mm; Pneumatic trailer connection palm type; Electric connection 24 V / 2x7 pins.

Optional

- 03178** Towing hook D= 4.3
16151 5th wheel makes and heights

BODIES AND PREPARATIONS FOR BODYING

Optional

- 02811** Tail lift connection Anderson
02812 Tail lift connection REMA

POWER TAKE-OFF (PTO)

Optional

- 16148** PTO types and positions

24V POWER SUPPLY

Alternator 110 A, batteries 2x 175 Ah..

Optional

- 04492** Alternator 130 A
08775 Alternator 150 A
07671 Batteries 2x210Ah AGM C-type
06440 Batteries 2x230Ah

GVM AND GCM

Chassis weight related technical GVM max 19500 kg; Driveline related max GCM 44000 kg class 2.

APPLICATION CONDITIONS

Air intake front.

Optional

- 08400** Silent mode
02260 Extra cab insulation
03648 Cyclonic air intake high
06614 Anti-dust blow-up shield

SERVICE AND MAINTENANCE

Standard Warranty takes care of 1 year complete vehicle as supplied by the OEM (excl. real wear parts), 2nd year driveline and 1st year breakdown.; ITS service.

Optional

- 08311** Service interval extended

VEHICLE DELIVERY

Minimum toolkit.

Optional

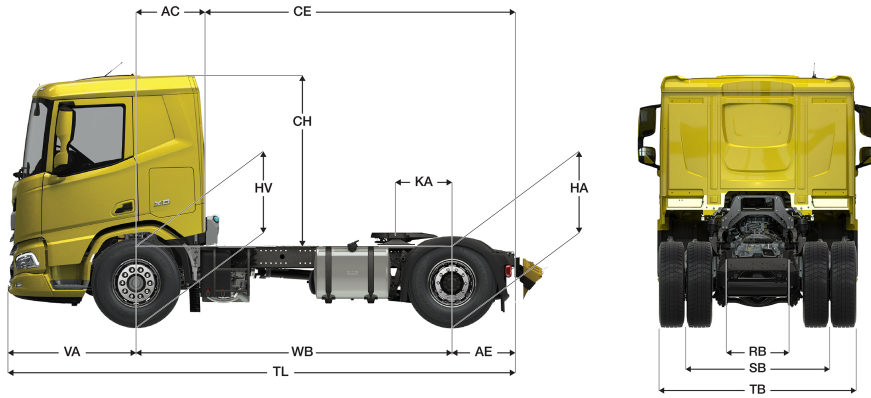
- 07569** Lifting jack



Go to [DAF.com](https://www.daf.com) to configure your own perfect DAF.

XD 300

FT 4X2 Tractor, Low Deck



	Wheelbase - AE		Unladen weight ¹⁾			Gross Carrying Capacity			Variable dimensions								
	WB	AE ⁵⁾	Front	Rear	Total	Front	Rear	Total	AC	CE	CH	KA ⁶⁾	TL	HA ⁷⁾	HA ⁸⁾	TK ⁹⁾	TW ¹⁰⁾
SLEEPER CAB	3,60	0,87	4919	2148	7067	2581	9352	10933	0,83	3,64	2,06	0,57	6,00	0,78	0,78	12,97	14,35
	3,80	0,87	4924	2155	7079	2576	9345	10921	0,83	3,84	2,06	0,77	6,20	0,78	0,78	13,49	14,87
SLEEPER HIGH CAB	3,60	0,87	4948	2149	7097	2552	9351	10903	0,83	3,64	2,54	0,57	6,00	0,78	0,78	12,97	14,35
	3,80	0,87	4952	2156	7108	2548	9344	10892	0,83	3,84	2,54	0,77	6,20	0,78	0,78	13,49	14,87

OTHER DIMENSIONS VA: 1,53 HV¹¹⁾: 0,89 HV¹²⁾: 0,82 RB: 0,79 SB: 1,82 TB¹³⁾: 2,46

- 1) GVM in conformity with registration documents.
- 2) GCM in conformity with registration documents.
- 3) Axle load with standard tyre size.
- 4) Chassis and cab weight calculated with: Standard specification items only with 400 litres of fuel, 40 litres of AdBlue® and driver of 90 kg, tolerance ± 3%. Changing of the specification can have major impact on vehicle weight.
- 5) Other AE dimensions may be available for shown WB.
- 6) Calculate customer specific KA with TOPEC.

- 7) Unladen height at centre of driven axle(s).
- 8) Laden height at centre of driven axle(s).
- 9) TK = turning circle between kerbs.
- 10) TW = turning circle between walls.
- 11) Unladen height at centre of front axle(s).
- 12) Laden height at centre of front axle(s).
- 13) TB is overall width at rear. (At centre of front axle 255).

Depending on the vehicle configuration a specific option may not be possible. The availability and specification of this vehicle may differ per country. For further information please contact the DAF organisation. Pictures and technical illustrations are not binding in detail and can differ from the standard specification. Subject to modification without prior notice.