

# Specification sheet

## XB 190

FA 4X2 Rigid, 14t



### ENGINES

XB NewGen 190 PX-5 (139 kW / 189 hp)
XB NewGen 210 PX-5 (153 kW / 208 hp)
XB NewGen 230 PX-7 (167 kW / 227 hp)
XB NewGen 260 PX-7 (189 kW / 257 hp)
XB NewGen 290 PX-7 (212 kW / 287 hp)

### GVM<sup>1)</sup>

14000 kg
Max. front 5000 kg
Max. rear 9400 kg

### GCM<sup>2)</sup>

14000 kg

## CAB EXTERIOR

Day Cab with steel bumper, tinted glass and electric window openers. Main mirrors and wide angle mirrors electrically heated. Cab width 2130 mm.; Electrically adjustable mirrors; Mirror brackets, body 2.50-2.60 m; Front view mirror; Rear view camera.

### Optional

<b>02576</b> Extended Day Cab	<b>02083</b> Two hazard beacon lights LED
<b>02106</b> Sleeper Cab	<b>07343</b> Kerb view window co-driver door
<b>03175</b> Cab suspension rubber and mechanical	<b>00915</b> Side no glass / rear single glass
<b>01605</b> Cab suspension mechanical reinforced	<b>09101</b> Green tinted glass, heated
<b>09983</b> Fog lights	<b>09282</b> Mirror brackets, body 2.30-2.40 m
<b>09984</b> Fog lights and cornering lights	<b>09283</b> Mirror brackets, body 2.40-2.50 m
<b>06629</b> Two hazard beacon lights	

## AERODYNAMICS

### Optional

<b>09286</b> Roof air deflector prepared	<b>07092</b> Adjustable roof air deflector low (set)
<b>06776</b> Adjustable roof air deflector	<b>09287</b> Side collars prepared
<b>07109</b> Adjustable roof air deflector high (set)	<b>07112</b> Side collars long (set)

## COLOURS

; Head lamp panel and bumper: Stone Grey; Lower step cover, cab steps and wing Stone Grey.; Chassis colour grey..

### Optional

<b>06150</b> Solid cab colour	<b>06485</b> Head lamp panel and bumper: cab colour
<b>01162</b> Cab colour H3279 Brilliant White	<b>00733</b> Lower step cab colour, cab steps and wing Grey
<b>00061</b> Special solid cab colour	<b>00617</b> Lower step cover, cab steps and wing in cab colour
<b>06151</b> Cab metallic colour	<b>16153</b> Cab and chassis colours
<b>04431</b> Special metallic cab colour	

## CAB INTERIOR

Mechanically adjustable steering column; Driver seat: air suspended; Co-driver seat: fixed velour; Storage box on engine tunnel.

### Optional

<b>09271</b> Steering wheel, leather, colour black	<b>00967</b> Seat belts red
<b>03516</b> Pneumatically adjustable steering column	<b>04346</b> Lower bunk, normal level
<b>03376</b> Dual mate seat, vinyl	<b>03703</b> Auxiliary cab heater Air Top 2000
<b>00072</b> Dual mate seat, velour	<b>04246</b> Roof hatch, manual control
<b>02600</b> Co-driver seat: air suspended	<b>04258</b> Roof hatch, electric control
<b>09106</b> Dual mate seat, luxury version	

## COMMUNICATION AND DRIVING MANAGEMENT

FMS connector, prepared; Tachograph digital, Stoneridge 1C version G2V2; Driver Performance Assistant.

### Optional

<b>16155</b> Audio equipment, makes and types
---

## SAFETY AND SECURITY

Speed limit recognition; DAF drowsiness detection; Drive-off Assist.

### Optional

<b>08631</b> Air bag (driver) and 2 seat belt tensioners	<b>16156</b> EC-ADR packages
--	------------------------------

## SUSPENSION AND AXLES

Front axle type F60. Parabolic leaf suspension with shock absorbers and stabiliser. Max. load 6.0 tonnes.; Single reduction driven rear axle type SR10.22 with parabolic leaf suspension, including shock absorbers and stabiliser. Max. load 9.80 tonnes..

### Optional

<b>08412</b> Rear: 9.80 t, parabolic, SR10.26	<b>08411</b> Rear: 9.80 t, air suspension, SR10.26
<b>02528</b> Rear: 9.80 t, air suspension, SR10.22	<b>01372</b> Rear springs air

## WHEELS AND TYRES

Front axle(s): 265/70R19.5; Driven rear axle(s): 265/70R19.5; Goodyear; Wheel protection rings silvergrey.

### Optional

<b>06764</b> Wheel protection rings black	<b>16152</b> Tyre makes and types
---	-----------------------------------

## DRIVELINE

Engine PX-5, 4 cylinder diesel engine, 4.5 litres. Output 139 kW (189 hp) at 2300 rpm. Max. torque 745 Nm at 1200-1700 rpm.; Exhaust emission Euro 6; Manual gearbox, 6 speeds; Gearbox ratio 6.58-0.78; Rear axle ratio 4.10.

### Optional

<b>04393</b> Manual gearbox, 9 speeds	<b>02808</b> Rear axle ratio 4.56
<b>07667</b> Automatic gearbox PowerLine, 8-speed	<b>02809</b> Rear axle ratio 5.13
<b>09888</b> Automatic gearbox, 5 speeds	<b>03895</b> Rear axle ratio 5.71
<b>02313</b> Gearbox direct drive	<b>02819</b> Rear axle ratio 6.33
<b>01878</b> Rear axle ratio 3.31	<b>02843</b> Mechanical differential lock
<b>01879</b> Rear axle ratio 3.73	

## BRAKE SYSTEM

Exhaust brake.

### Optional

<b>06195</b> Park brake control with test position	<b>09525</b> Park brake ctl with test pos and spoken warning
<b>09524</b> Park brake control with spoken warning	

## CHASSIS

Wheelbase 3.50 m / rear overhang 1.85 m; Side member height 270 mm; EAS unit right, discharge right rearward; Battery box left, no spare wheel carrier; Plastic fuel tank 170 l; Tank for AdBlue® 30 l, right-hand side chassis; Spray suppression.

### Optional

<b>04439</b> Battery box left, spare wheel carrier right	<b>07071</b> Spare wheel carrier right-hand side
<b>01623</b> Rear underrun protection	<b>03323</b> Rear light with LEDs

## DRAWBAR AND TRAILER EQUIPMENT

Closing member.

### Optional

- 06779** Cross member D85-Dc70 **04661** D-value cross member D=-V25, no coupling, mounted
- 06657** Cross member D85-Dc70 -V25, coupling D85, mounted

## BODIES AND PREPARATIONS FOR BODYING

No BodyBuilder Module (BBM); Application connector chassis; Standard body attachment hole pattern.

### Optional

- 09952** BodyBuilder Module (BBM) full
- 06691** Application connector on the cab front
- 02950** Application connector for hydraulic platform
- 09240** Application connector for refuse collector
- 01502** No side marker lights
- 07487** Body attachment BAM 1, loose consoles supply
- 07488** Body attachment BAM 3, loose consoles supply

## POWER TAKE-OFF (PTO)

### Optional

- 06624** Indirect front engine PTO
- 00590** Front engine PTO with generator preparation 17 kW
- 06785** Front engine PTO, generator preparation 22.5 kW
- 01250** Front engine PTO with generator preparation 30 kW
- 06282** Rear eng PTO 13h, permanent, pump drive
- 16148** PTO types and positions

## 24V POWER SUPPLY

### Optional

- 01897** Alternator 100 A
- 08797** Batteries 2x175Ah

## APPLICATION CONDITIONS

Moisture separator, unheated; Air intake low.

### Optional

- 02270** Cold climate
- 04767** Moisture separator, heated
- 04482** Air intake high behind cab
- 09960** Air intake on the cab roof

## VEHICLE DELIVERY

Standard toolkit.

### Optional

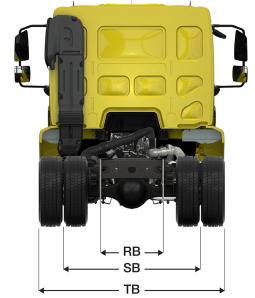
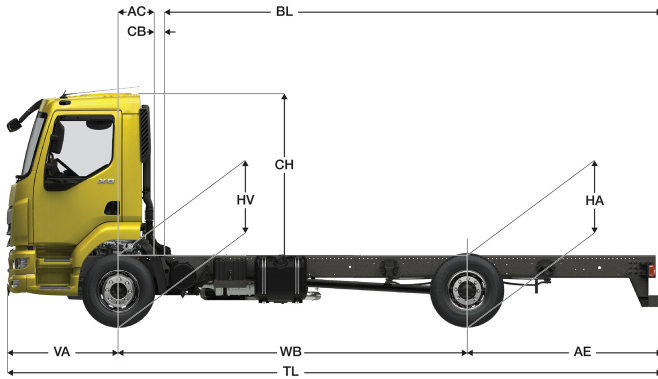
- 06491** Toolkit Eastern Europe



Go to [DAF.com](https://www.daf.com) to configure your own perfect DAF.

# XB 190

FA 4X2 Rigid, 14t



	Wheelbase - AE		Unladen weight <sup>1)</sup>			Gross Carrying Capacity			Variable dimensions									
	WB	AE <sup>5)</sup>	Front	Rear	Total	Front	Rear	Total	AC	CB <sup>6)</sup>	CH <sup>7)</sup>	BL <sup>8)</sup>	BL	TL	HA <sup>9)</sup>	HA <sup>10)</sup>	TK <sup>11)</sup>	TW <sup>12)</sup>
DAY CAB	3,25	1,70	2831	1390	4221	2169	8010	9779	0,27	0,12	1,88	4,29	4,55	6,29	1,09	0,98	11,37	12,59
	3,50	1,85	2849	1423	4272	2151	7977	9728	0,27	0,12	1,88	4,68	4,96	6,69	1,09	0,98	11,99	13,22
	3,80	2,03	2847	1426	4273	2153	7974	9727	0,27	0,12	1,88	5,15	5,45	7,17	1,09	0,98	12,73	13,98
	4,20	2,27	2849	1440	4289	2151	7960	9711	0,27	0,12	1,88	5,77	6,10	7,81	1,09	0,98	13,72	14,99
	4,50	2,45	2873	1478	4351	2127	7922	9649	0,27	0,12	1,88	6,25	6,61	8,29	1,09	0,98	14,46	15,75
	4,80	2,63	2870	1484	4354	2130	7916	9646	0,27	0,12	1,88	6,71	7,09	8,77	1,09	0,98	15,21	16,51
	5,35	2,96	2887	1519	4406	2113	7881	9594	0,27	0,12	1,88	7,58	8,01	9,65	1,09	0,98	16,58	17,90
	5,90	3,29	2902	1558	4460	2098	7842	9540	0,27	0,12	1,88	8,44	8,92	10,53	1,09	0,98	17,95	19,29
SLEEPER CAB	6,30	3,53	2909	1578	4487	2091	7822	9513	0,27	0,12	1,88	9,07	9,58	11,17	1,09	0,98	18,96	20,30
	6,70	2,90	3003	1633	4636	1997	7767	9364	0,27	0,12	1,88	9,78	10,33	10,94	1,09	1,00	19,96	21,31
	3,25	1,70	2951	1410	4360	2049	7990	9640	0,67	0,07	1,88	3,65	3,91	6,29	1,09	0,97	11,37	12,59
	3,50	1,85	2970	1441	4411	2030	7959	9589	0,67	0,07	1,88	4,05	4,33	6,69	1,09	0,97	11,99	13,22
	3,80	2,03	2969	1443	4412	2031	7957	9588	0,67	0,07	1,88	4,52	4,83	7,17	1,09	0,97	12,73	13,98
	4,20	2,27	2973	1455	4428	2027	7945	9572	0,67	0,07	1,88	5,15	5,50	7,81	1,09	0,98	13,72	14,99
	4,50	2,45	2998	1492	4490	2002	7908	9510	0,67	0,07	1,88	5,63	6,01	8,29	1,09	0,98	14,46	15,75
	4,80	2,63	2995	1498	4493	2005	7902	9507	0,67	0,07	1,88	6,11	6,50	8,77	1,09	0,98	15,21	16,51
5,35	2,96	3014	1531	4545	1986	7869	9455	0,67	0,07	1,88	6,99	7,43	9,65	1,09	0,98	16,58	17,90	
5,90	3,29	3030	1569	4599	1970	7831	9401	0,67	0,07	1,88	7,87	8,34	10,53	1,09	0,98	17,95	19,29	
6,30	3,53	3037	1589	4626	1963	7811	9374	0,67	0,07	1,88	8,50	9,01	11,17	1,09	0,98	18,96	20,30	
6,70	2,90	3132	1643	4775	1868	7757	9225	0,67	0,07	1,88	9,23	9,78	10,94	1,09	1,00	19,96	21,31	

OTHER DIMENSIONS VA: 1,34 HV<sup>13)</sup>: 1,01 HV<sup>14)</sup>: 0,94 RB: 0,79 SB: 1,75 TB<sup>15)</sup>: 2,35

- GVM in conformity with registration documents.
- GCM in conformity with registration documents.
- Axle load with standard tyre size.
- Chassis and cab weight calculated with: Standard specification items only with 170 litres of fuel, 30 litres of AdBlue® and driver of 90 kg, tolerance ± 3%. Changing of the specification can have major impact on vehicle weight.
- Other AE dimensions may be available for shown WB. Modify rear overhang to the calculated body length.
- CB is based on standard air intake and/or exhaust.
- Cab height is measured from frame member to closed cabin roof hatch.

- Calculate customer specific body length with TOPEC. Body lengths shown based on evenly distributed load at max axle load.
- Unladen height at centre of driven axle(s).
- Laden height at centre of driven axle(s).
- TK = turning circle between kerbs.
- TW = turning circle between walls.
- Unladen height at centre of front axle(s).
- Laden height at centre of front axle(s).
- TB is overall width at rear. (At centre of front axle 255).

Depending on the vehicle configuration a specific option may not be possible. The availability and specification of this vehicle may differ per country. For further information please contact the DAF organisation. Pictures and technical illustrations are not binding in detail and can differ from the standard specification. Subject to modification without prior notice.