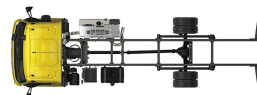


Specification sheet

XB 190

FA 4X2 Rigid, 10t Chassis/Body



ENGINES

XB NewGen 190 PX-5 (139 kW / 189 hp)
XB NewGen 210 PX-5 (153 kW / 208 hp)
XB NewGen 230 PX-7 (167 kW / 227 hp)
XB NewGen 260 PX-7 (189 kW / 257 hp)

GVM¹⁾

10000 kg
Max. front 4000 kg
Max. rear 7200 kg

GCM²⁾

10000 kg

CAB EXTERIOR

Day Cab with steel bumper, tinted glass and electric window openers. Main mirrors and wide angle mirrors electrically heated. Cab width 2130 mm.; Electrically adjustable mirrors; Mirror brackets, body 2.50-2.60 m; Front view mirror; Rear view camera.

Optional

02576 Extended Day Cab	06629 Two hazard beacon lights
02106 Sleeper Cab	02083 Two hazard beacon lights LED
01173 Cab suspension mechanical	07343 Kerb view window co-driver door
01605 Cab suspension mechanical reinforced	00915 Side no glass / rear single glass
09983 Fog lights	09101 Green tinted glass, heated
09984 Fog lights and cornering lights	09283 Mirror brackets, body 2.40-2.50 m

AERODYNAMICS

Optional

09286 Roof air deflector prepared	07092 Adjustable roof air deflector low (set)
06776 Adjustable roof air deflector	09287 Side collars prepared
07109 Adjustable roof air deflector high (set)	07112 Side collars long (set)

COLOURS

; Head lamp panel and bumper: Stone Grey; Cab steps and wing Stone Grey; Chassis colour grey..

Optional

06485 Head lamp panel and bumper: cab colour	01303 Curtain colour 557 blue, panels white
01109 Cab steps and wing in cab colour	01340 Curtain colour 602 green, panels white
04674 Body panels standard white	01344 Curtain colour 763 grey, panels white
01238 Curtain colour 907 white, panels white	01350 Curtain colour 905 black, panels white
01241 Curtain colour 148 yellow, panels white	16153 Cab and chassis colours
01298 Curtain colour 356 red, panels white	

CAB INTERIOR

Right-hand drive (RHD); Mechanically adjustable steering column; Driver seat: air suspended; Co-driver seat: fixed velour; Storage box on engine tunnel.

Optional

01846 Left-hand drive (LHD)	04346 Lower bunk, normal level
09271 Steering wheel, leather, colour black	03703 Auxiliary cab heater Air Top 2000
03516 Pneumatically adjustable steering column	04246 Roof hatch, manual control
00967 Seat belts red	04258 Roof hatch, electric control
16158 Seat types	

COMMUNICATION AND DRIVING MANAGEMENT

FMS connector, prepared; Tachograph digital, Stoneridge 1C version G2V2; Driver Performance Assistant.

Optional

16155 Audio equipment, makes and types

SAFETY AND SECURITY

Speed limit recognition; DAF drowsiness detection; Drive-off Assist.

Optional

08631 Air bag (driver) and 2 seat belt tensioners	07414 Reverse warning with self-adjusting volume
01725 Reverse warning	16156 EC-ADR packages

SUSPENSION AND AXLES

Front axle type F48. Parabolic leaf suspension with shock absorbers and stabiliser. Max. load 4.0 tonnes.; Single reduction driven rear axle type SR8.22 with parabolic leaf suspension, including shock absorbers and stabiliser. Max. load 7.20 tonnes..

Optional

02487 Rear: 7.20 t, air suspension, SR8.22	01372 Rear springs air
---	-------------------------------

WHEELS AND TYRES

Front axle(s): 235/75R17.5; Driven rear axle(s): 235/75R17.5; Goodyear; Wheel protection rings silvergrey.

Optional

06764 Wheel protection rings black	16152 Tyre makes and types
---	-----------------------------------

DRIVELINE

Engine PX-5, 4 cylinder diesel engine, 4.5 litres. Output 139 kW (189 hp) at 2300 rpm. Max. torque 745 Nm at 1200-1700 rpm.; Exhaust emission Euro 6; Manual gearbox, 6 speeds; Gearbox ratio 6.58-0.78; Rear axle ratio 3.31.

Optional

07667 Automatic gearbox PowerLine, 8-speed	02800 Rear axle ratio 4.10
01879 Rear axle ratio 3.73	02843 Mechanical differential lock

BRAKE SYSTEM

Exhaust brake.

Optional

06195 Park brake control with test position	09525 Park brake ctl with test pos and spoken warning
09524 Park brake control with spoken warning	

CHASSIS

Wheelbase 3.55 m / rear overhang 1.98 m; Side member height 210 mm; EAS unit right, discharge right rearward; Battery box left, no spare wheel carrier; Plastic fuel tank 110 l; Tank for AdBlue® 30 l, right-hand side chassis; Spray suppression.

Optional

01623 Rear underrun protection	03323 Rear light with LEDs
---------------------------------------	-----------------------------------

DRAWBAR AND TRAILER EQUIPMENT

Closing member.

Optional

06779 Cross member D85-Dc70 -V25, no coupling, mounted	04661 D-value cross member D=8.5
06657 Cross member D85-Dc70 -V25, coupling D85, mounted	

BODIES AND PREPARATIONS FOR BODYING

Application connector on the cab front; Standard body attachment hole pattern.

Optional

09952	BodyBuilder Module (BBM) full	02698	Body floor with 3 mm aluminium tread plate
00126	Body attachment BAM 1, consoles type B	02717	Aluminium kick strips, front and sides 228 mm
02357	Box body	02712	Aluminium kick strips, front 228 mm
01890	Curtain sider body	02727	Galvanised kick strips, front and sides 200 mm
03562	Aerobody	02728	Plywood kick strips, front and sides 300 mm
02615	External body length 5150 mm	02738	Plywood kick strips, front 1200 mm, sides 300 mm
02622	External body length 6100 mm	04650	Rear wide lath shutter door
02650	External body length 6810 mm	04662	Rear double doors
06463	External body length 7100 mm	02726	Single, hinged side door at front left-hand side
04619	External body width 2480 mm	04297	Single, hinged side door at rear right-hand side
04621	External body width 2540 mm	02718	Side roller shutter door
01403	GRP faced plywood panels	04637	Column tail lift
00067	Contour markings	04640	Tuck-under tail lift
02702	Standard body floor	06464	Tail lift 1.5 tonnes

POWER TAKE-OFF (PTO)

Optional

16148 PTO types and positions

24V POWER SUPPLY

Alternator 80 A, batteries 2x 125 Ah..

Optional

01897 Alternator 100 A 08797 Batteries 2x175Ah

GVM AND GCM

Chassis weight related technical GVM max 10000 kg; Driveline related technical GCM equal to GVM.

Optional

00728 Driveline related max GCM 20000 kg 03700 Driveline related technical GCM = GVM+3500 kg

APPLICATION CONDITIONS

Moisture separator, unheated; Air intake low.

Optional

01282 Moderate climate 04482 Air intake high behind cab
04767 Moisture separator, heated

VEHICLE DELIVERY

Standard toolkit.

Optional

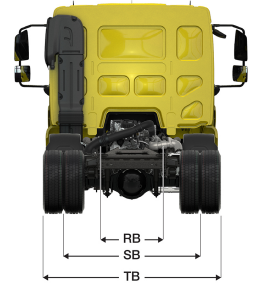
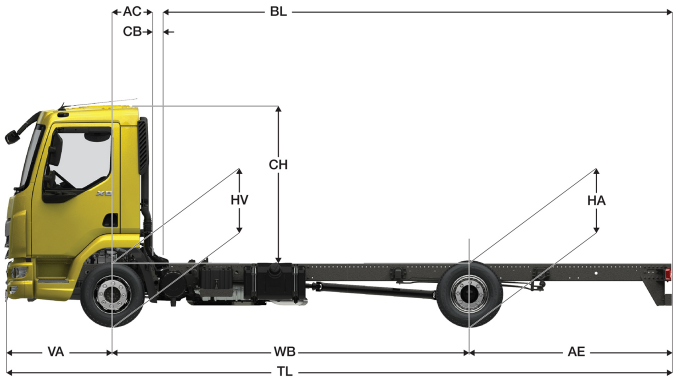
06491 Toolkit Eastern Europe



Go to [DAF.com](https://www.daf.com) to configure your own perfect DAF.

XB 190

FA 4X2 Rigid, 10t Chassis/Body



	Wheelbase - AE		Unladen weight ⁹⁾			Gross Carrying Capacity			Variable dimensions									
	WB	AE ⁵⁾	Front	Rear	Total	Front	Rear	Total	AC	CB ⁶⁾	CH ⁷⁾	BL ⁸⁾	BL	TL	HA ⁹⁾	HA ¹⁰⁾	TK ¹¹⁾	TW ¹²⁾
DAY CAB	3,55	1,98	2469	1068	3538	1531	6132	6462	0,32	0,22	1,84	4,35	5,44	6,82	0,98	0,96	11,73	13,13
	3,90	2,23	2469	1081	3550	1531	6119	6450	0,32	0,22	1,84	4,88	6,08	7,42	0,98	0,96	12,58	14,00
	4,30	2,43	2485	1107	3593	1515	6093	6407	0,32	0,22	1,84	5,50	6,83	8,02	0,98	0,97	13,56	15,00
	4,65	2,75	2488	1130	3618	1512	6070	6382	0,32	0,22	1,84	6,03	7,47	8,69	0,97	0,96	14,42	15,87
	5,00	2,46	2527	1114	3641	1473	6086	6359	0,32	0,22	1,84	6,61	8,18	8,75	0,98	0,98	15,28	16,74
SLEEPER CAB	WB	AE ⁵⁾	Front	Rear	Total	Front	Rear	Total	AC	CB ⁶⁾	CH ⁷⁾	BL ⁸⁾	BL	TL	HA ⁹⁾	HA ¹⁰⁾	TK ¹¹⁾	TW ¹²⁾
	3,55	1,98	2618	1048	3665	1382	6152	6335	0,72	0,20	1,87	3,72	4,83	6,82	0,98	0,95	11,73	13,13
	3,90	2,23	2627	1073	3700	1373	6127	6300	0,72	0,20	1,87	4,27	5,50	7,42	0,98	0,96	12,58	14,00
	4,30	2,43	2630	1089	3718	1370	6111	6282	0,72	0,20	1,87	4,90	6,25	8,02	0,98	0,96	13,56	15,00
	4,65	2,75	2638	1120	3758	1362	6080	6242	0,72	0,20	1,87	5,44	6,92	8,69	0,98	0,96	14,42	15,87

OTHER DIMENSIONS VA: 1,29 HV¹³⁾: 0,92 HV¹⁴⁾: 0,88 RB: 0,86 SB: 1,72 TB¹⁵⁾: 2,01

1) GVM in conformity with registration documents.

2) GCM in conformity with registration documents.

3) Axle load with standard tyre size.

4) Chassis and cab weight calculated with: Standard specification items only with 110 litres of fuel, 30 litres of AdBlue® and driver of 90 kg, tolerance ± 3%. Changing of the specification can have major impact on vehicle weight.

5) Other AE dimensions may be available for shown WB. Modify rear overhang to the calculated body length.

6) CB is based on standard air intake and/or exhaust.

7) Cab height is measured from frame member to closed cabin roof hatch.

8) Calculate customer specific body length with TOPEC. Body lengths shown based on evenly distributed load at max axle load.

9) Unladen height at centre of driven axle(s).

10) Laden height at centre of driven axle(s).

11) TK = turning circle between kerbs.

12) TW = turning circle between walls.

13) Unladen height at centre of front axle(s).

14) Laden height at centre of front axle(s).

15) TB is overall width at rear. (At centre of front axle 255).

Depending on the vehicle configuration a specific option may not be possible. The availability and specification of this vehicle may differ per country. For further information please contact the DAF organisation. Pictures and technical illustrations are not binding in detail and can differ from the standard specification. Subject to modification without prior notice.