

Specification sheet

XD 370

FAX 8X2 Rigid



ENGINES

- XD NewGen 370 MX-11 (270 kW / 367 hp)
- XD NewGen 410 MX-11 (300 kW / 408 hp)
- XD NewGen 450 MX-11 (330 kW / 449 hp)

GVM¹⁾

32000 kg

Max. front 15000 kg

Max. rear 19000 kg

GCM²⁾

38000 kg

016F0191XAAA - 202437D - 28-05-2024

DAF Trucks Ltd, UK, Haddenham, HP17 8LJ, www.daf.co.uk

OPTION PACKAGES

Optional

17448 Safety pack 17595 Executive Pack XD/XF

CAB EXTERIOR

Luxurious Day Cab with unrivalled aerodynamics for fuel efficient driving and low CO2 emissions. The huge and deep frontscreen, curved at the sides combined with large side windows offer an unsurpassed direct view for the driver, to enhance road safety. Cab length: 2030 mm; cab width: 2500 mm. Number of cab entrance steps: 3.; Cab suspension mechanical; LED head lights; DAF Corner View.

Optional

07018 Sleeper Cab 01836 LED Skylights
06244 Sleeper High Cab 00949 LED Skylights; aux. LED
02889 Chassis front execution: lights on cab rf, prepared
no bottom plate 01925 Two LED work lamps for
03353 Chassis front execution: cab rear wall
protruding 01891 Hazard beacons on cab
07586 Chassis front execution: front, prepared
robust 06629 Two hazard beacon lights
01226 Cab suspension air 03232 Front windscreen with
03358 External sun visor solar control foil
03922 Fog lights front 03317 Rear window: double
00936 Auxiliary LED lights on glass
cab roof, prepared 07343 Kerb view window co-
 driver door
01362 DAF Digital Vision System

AERODYNAMICS

Optional

00008 Adj. roof air deflector 00082 Adj. roof air deflector for
short Sleeper High Cab Day Cab
00124 Adj. rf air defl.long mid 00097 Adj. roof air deflector for
>4m(!) Sleeper High Cab Sleeper Cab
01538 Adj. roof air defl. long high 00020 Adj. roof air deflector long
>4m(!) Sleeper High low Sleeper High Cab

COLOURS

Cab colour E1980 Crystal White; Chassis colour grey.; Colour of bumper: Crystal White.

CAB INTERIOR

Cab interior trim colour: Luxury; Dashboard finish: Vision; Cab interior decoration: Hexagon; Driver seat: Comfort Air; Co-driver seat: cinema with fabric cover; No dashboard table; Storage compartment in centre; Automatic Temperature Control and airco; No auxiliary cab heater.

Optional

02354 Steering wheel with silver 02117 Third seat
accents 02837 Dashboard table
02355 Steering wheel, leather 03948 Single drawer
02353 Cab interior decoration: 03954 Refrigerator
Argenta 02838 Foam mattress for lower
02350 Cab interior decoration: bunk
Natura 02854 Xtra Comfort mattress for
07733 Driver seat: Luxury Air lower bunk
07736 Driver seat: Super Air 01775 Xtra Comfort mattress
07737 Driver seat: Xtra Leather with topper for lower bunk
Air 06970 Automatic Cab Climate
09541 Arm rest driver seat Control
01740 Arm rest at both sides of the driver seat

COMMUNICATION AND DRIVING MANAGEMENT

PACCAR Connect; Tachograph digital, Stoneridge 1C version G2V2; Speed limiter setting 85/90 km/h; DAF Infotainment Luxury with Luxury speakers; Adaptive Cruise Control (ACC) with FCW; Driver Performance Assistant.

Optional

09681 Preparation for Maut 09908 Cruise control
06211 DAF Infotainment System 08023 Adaptive Cruise Control
with FM/DAB/DAB+ radio with FCW and AEBS-3
03470 DAF Infotainment System: 06991 Predictive Cruise Control
Exclusive, prepared
01915 DAF Infotainment System: Luxury Plus

SAFETY AND SECURITY

Lane Departure Warning System; No vehicle stability control; Basic engine immobiliser system; No EC-ADR packages; DAF Side & Turn Assist.

Optional

08631 Air bag (driver) and 2 seat 00795 Safety regulations EC
belt tensioners ADR

SUSPENSION AND AXLES

Front: 2x 8.00 t, parabolic, 163N; Rear axle load 13.00 t; Rear: 20.00 t, air suspension, SR1344; Trailing axle load 8.0t; Lifting device.

Optional

06264 Front axles load 9.00 + 08191 Axle load monitoring
9.00 t
04057 Rear axle HR1356

WHEELS AND TYRES

Driven rear axle(s): 315/60R22.5; F1,315/60R22.5GO FMXSE 154/148 L Steering BBB 3P; R1,315/60R22.5GO GFDND 152/148 L Traction BBB 3P; R2,315/60R22.5GO FMXSE 154/148 L Steering BBB 3P.

Optional

16152 Tyre makes and types

DRIVELINE

Engine MX-11, multi torque 6 cylinder diesel engine, 10.8 litres. Output 270 kW (367 hp) at 1600 rpm. Maximum torque 1950 Nm at 900-1125 rpm.; Exhaust emission Euro 6; Eco fuel; 12-speed TraXon 12TX2010 DD, 16.69-1.00; Gearbox ratio 16.69-1.00; Rear axle ratio 2.38.

Optional

07110 Eco performance 08371 Long Combination Vehicle
02314 Gearbox overdrive (LCV)
01514 Urge-to-move 09638 Off-road applications
09637 Liquid transport 01498 Off-road applications with
 Rock-free function
03720 No ASR

BRAKE SYSTEM

MX Engine Brake; Ventilated disc brakes front and rear. Dual circuit air system with electronic control (EBS). Engine driven, water cooled aire compressor with automatic air heated dryer..

Optional

09920 No MX Engine Brake 01497 Park brake control
02715 ZF Intarder pneumatic with spoken
01572 Park brake control electro warning
-pneumatic 00929 Driven rear axle with drum
 brakes

CHASSIS

Wheelbase 5.00 m / rear overhang 1.75 m; Side member height 310 mm; Standard component location; 340 l alu fuel tank LH, height 620 mm; Tank for AdBlue® 45 l, left below battery box; Front underrun protection (FUP); Spray suppression.

Optional

- 16157** Fuel tanks, material and sizes
07070 Spare wheel carrier left-hand side
03323 Rear light with LEDs

DRAWBAR AND TRAILER EQUIPMENT

Closing member.

Optional

- 07033** Trailer coupling Ringfeder D=13.7
07034 Trailer coupling Ringfeder D=20.0
08026 Trailer coupling Rockinger D=13.0
08027 Trailer coupling Rockinger D=20.0
04659 Trailer cable EBS

BODIES AND PREPARATIONS FOR BODYING

Application connector chassis.

Optional

- 09421** Additional spare wiring

POWER TAKE-OFF (PTO)

Optional

- 16148** PTO types and positions

24V POWER SUPPLY

Alternator 130 A, batteries 2x 140 Ah..

Optional

- 08775** Alternator 150 A
08797 Batteries 2x175Ah
07671 Batteries 2x210Ah AGM C-type
06440 Batteries 2x230Ah

GVM AND GCM

Chassis weight related technical GVM max 35000 kg; Driveline related max GCM 38000 kg class 2.

Optional

- 00209** Driveline related max GCM 40000 kg class 3
03673 Driveline related max GCM 44000 kg class 2
03675 Driveline related max GCM 50000 kg class 3
00939 Driveline related max GCM 56000 kg class 2
00818 Driveline related max GCM 60000 kg class 3

APPLICATION CONDITIONS

Air intake front.

Optional

- 08400** Silent mode
02260 Extra cab insulation
03648 Cyclonic air intake high
06614 Anti-dust blow-up shield

SERVICE AND MAINTENANCE

Standard Warranty takes care of 1 year complete vehicle as supplied by the OEM (excl. real wear parts), 2nd year driveline and 1st year breakdown.; ITS service.

Optional

- 08311** Service interval extended

VEHICLE DELIVERY

Minimum toolkit.

Optional

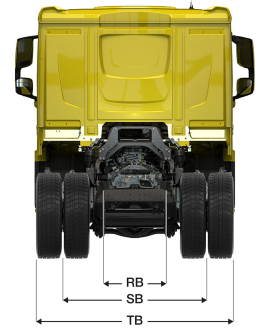
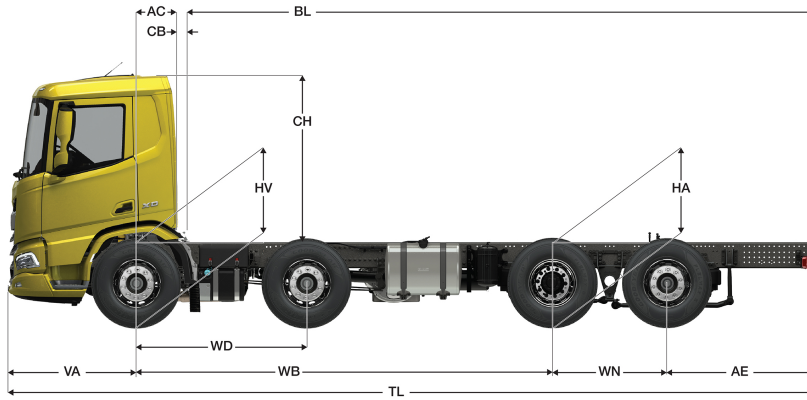
- 07569** Lifting jack



Go to [DAF.com](https://www.daf.com) to configure your own perfect DAF.

XD 370

FAX 8X2 Rigid



	Wheelbase - AE		Unladen weight ¹⁾			Gross Carrying Capacity			Variable dimensions									
	WB	AE ⁵⁾	Front	Rear	Total	Front	Rear	Total	AC	CB ⁶⁾	CH	BL ⁷⁾	BL	TL	HA ⁸⁾	HA ⁹⁾	TK ¹⁰⁾	TW ¹¹⁾
DAY CAB	5,00	1,75	7127	2355	9482	7873	16645	22518	0,50	0,07	2,01	7,12	7,12	9,68	0,99	0,96	18,24	19,55
	5,70	2,00	6975	2583	9558	8025	16417	22442	0,50	0,07	2,01	8,01	8,01	10,63	0,99	0,96	20,27	21,60
	6,40	2,60	7014	3012	10026	7986	15988	21974	0,50	0,07	2,01	8,91	8,91	11,93	0,99	0,96	22,31	23,65
SLEEPER CAB	5,00	1,75	7262	2334	9596	7738	16666	22404	0,83	0,07	2,01	6,49	6,49	9,68	0,99	0,96	18,24	19,55
	5,70	2,00	7107	2565	9672	7893	16435	22328	0,83	0,07	2,01	7,39	7,39	10,63	0,99	0,96	20,27	21,60
	6,40	2,60	7144	2997	10140	7856	16003	21860	0,83	0,07	2,01	8,29	8,29	11,93	0,99	0,96	22,31	23,65
SLEEPER HIGH CAB	5,00	1,75	7298	2327	9626	7702	16673	22374	0,83	0,07	2,49	6,50	6,50	9,68	0,99	0,96	18,24	19,55
	5,70	2,00	7143	2559	9702	7857	16441	22298	0,83	0,07	2,49	7,40	7,40	10,63	0,99	0,96	20,27	21,60
	6,40	2,60	7179	2991	10170	7821	16009	21830	0,83	0,07	2,49	8,31	8,31	11,93	0,99	0,96	22,31	23,65

OTHER DIMENSIONS	VA: 1,53	WD: 2,05	WN: 1,40	HV ¹²⁾ : 1,03	HV ¹³⁾ : 0,96	RB: 0,79	SB: 1,82	TB ¹⁴⁾ : 2,48
------------------	----------	----------	----------	--------------------------	--------------------------	----------	----------	--------------------------

1) GVM in conformity with registration documents.
 2) GCM in conformity with registration documents.
 3) Axle load with standard tyre size.
 4) Chassis and cab weight calculated with: Standard specification items only with 340 litres of fuel, 45 litres of AdBlue® and driver of 90 kg, tolerance ± 3%. Changing of the specification can have major impact on vehicle weight.
 5) Other AE dimensions may be available for shown WB. Modify rear overhang to the calculated body length.
 6) CB is based on standard air intake and/or exhaust.
 7) Calculate customer specific body length with TOPEC. Body lengths shown based on evenly distributed load at max axle load.

8) Unladen height at centre of driven axle (trailing axle down).
 9) Laden height at centre of driven axle(s).
 10) TK = turning circle between kerbs.
 11) TW = turning circle between walls.
 12) Unladen height at centre of front axle(s).
 13) Laden height at centre of front axle(s).
 14) TB is overall width at rear. (At centre of front axle 255).

Depending on the vehicle configuration a specific option may not be possible. The availability and specification of this vehicle may differ per country. For further information please contact the DAF organisation. Pictures and technical illustrations are not binding in detail and can differ from the standard specification. Subject to modification without prior notice.