

Specification sheet

XD 300

FAS 6X2 Rigid, double mounted trailing axle



ENGINES

- XD NewGen 300 MX-11 (220 kW / 299 hp)
- XD NewGen 340 MX-11 (251 kW / 341 hp)
- XD NewGen 370 MX-11 (270 kW / 367 hp)
- XD NewGen 410 MX-11 (300 kW / 408 hp)
- XD NewGen 450 MX-11 (330 kW / 449 hp)

GVM¹⁾

- 26000 kg
- Max. front 8000 kg
- Max. rear 19000 kg

GCM²⁾

- 38000 kg

016F012AAAA - 202437D - 28-05-2024

DAF Trucks Ltd, UK, Haddenham, HP17 8LJ, www.daf.co.uk

OPTION PACKAGES

Optional

17448 Safety pack **17595** Executive Pack XD/XF

CAB EXTERIOR

Luxurious Day Cab with unrivalled aerodynamics for fuel efficient driving and low CO2 emissions. The huge and deep frontscreen, curved at the sides combined with large side windows offer an unsurpassed direct view for the driver, to enhance road safety. Cab length: 2030 mm; cab width: 2500 mm. Number of cab entrance steps: 2.; Cab suspension mechanical; LED head lights; DAF Corner View.

Optional

07018 Sleeper Cab **01836** LED Skylights
06244 Sleeper High Cab **00949** LED Skylights; aux. LED lights on cab rf, prepared
02889 Chassis front execution: no bottom plate **01925** Two LED work lamps for cab rear wall
02952 Chassis front execution: bottom plate aero **01891** Hazard beacons on cab front, prepared
03353 Chassis front execution: protruding **06629** Two hazard beacon lights
07586 Chassis front execution: robust **03232** Front windscreen with solar control foil
01226 Cab suspension air **03317** Rear window: double glass
03358 External sun visor **07343** Kerb view window co-driver door
03922 Fog lights front **01362** DAF Digital Vision System
00936 Auxiliary LED lights on cab roof, prepared

AERODYNAMICS

Optional

00008 Adj. roof air deflector short Sleeper High Cab **00082** Adj. roof air deflector for Day Cab
00124 Adj. rf air defl.long mid >4m(!) Sleeper High Cab **00097** Adj. roof air deflector for Sleeper Cab
01538 Adj. roof air defl. long high >4m(!) Sleeper High **00020** Adj. roof air deflector long low Sleeper High Cab
02662 Adj. roof air defl. long mid XD Sleeper High Cab

COLOURS

Cab colour E1980 Crystal White; Chassis colour grey.; Colour of bumper: Crystal White.

CAB INTERIOR

Cab interior trim colour: Luxury; Dashboard finish: Vision; Cab interior decoration: Hexagon; Driver seat: Comfort Air; Co-driver seat: cinema with fabric cover; No dashboard table; Storage compartment in centre; Automatic Temperature Control and aircoc; No auxiliary cab heater.

Optional

02354 Steering wheel with silver accents **02117** Third seat
02355 Steering wheel, leather **02837** Dashboard table
02353 Cab interior decoration: Argenta **03948** Single drawer
02350 Cab interior decoration: Natura **03954** Refrigerator
07733 Driver seat: Luxury Air **02838** Foam mattress for lower bunk
07736 Driver seat: Super Air **02854** Xtra Comfort mattress for lower bunk
07737 Driver seat: Xtra Leather Air **01775** Xtra Comfort mattress with topper for lower bunk
09541 Arm rest driver seat **06970** Automatic Cab Climate Control
01740 Arm rest at both sides of the driver seat

COMMUNICATION AND DRIVING MANAGEMENT

PACCAR Connect; Tachograph digital, Stoneridge 1C version G2V2; Speed limiter setting 85/90 km/h; DAF Infotainment Luxury with Luxury speakers; Adaptive Cruise Control with FCW and AEBS-3; Driver Performance Assistant.

Optional

09681 Preparation for Maut **03470** DAF Infotainment System: Exclusive, prepared
06211 DAF Infotainment System with FM/DAB/DAB+ radio **01915** DAF Infotainment System: Luxury Plus

SAFETY AND SECURITY

Lane Departure Warning System; Vehicle Stability Control (VSC); Basic engine immobiliser system; No EC-ADR packages; DAF Side & Turn Assist.

Optional

08631 Air bag (driver) and 2 seat belt tensioners **00795** Safety regulations EC ADR
06410 Safe Load Pass preparation

SUSPENSION AND AXLES

Front: 8.00 t, parabolic, 163N; Rear axle load 13.00 t; Rear: 20.00 t, air suspension, SR1344; Trailing axle load 10.0t; Lifting device.

Optional

06257 Front axle load 9.00 t **04057** Rear axle HR1356
06095 Front axle load 10.00 t **04588** Rear axle SR1347
04647 Front springs air **08191** Axle load monitoring

WHEELS AND TYRES

Driven rear axle(s): 315/70R22.5; F1,315/70R22.5GO FMXSE 156/150 L Steering BBA 3P; R1,315/70R22.5GO FMXDE 154/150 L Traction BBA 3P; R2,315/70R22.5GO FMXSE 156/150 L Steering BBA 3P.

Optional

16152 Tyre makes and types

DRIVELINE

Engine MX-11, multi torque 6 cylinder diesel engine, 10.8 litres. Output 220 kW (299 hp) at 1600 rpm. Max. torque 1450 Nm at 900-1400 rpm.; Exhaust emission Euro 6; Eco fuel; 12-speed TraXon 12TX1810 OD, 12.92-0.77; Gearbox ratio 12.92-0.77; Rear axle ratio 3.08.

Optional

07110 Eco performance **08371** Long Combination Vehicle (LCV)
02313 Gearbox direct drive **09638** Off-road applications
01514 Urge-to-move **01498** Off-road applications with Rock-free function
07101 Standard transport, Lite version **02843** Mechanical differential lock
09637 Liquid transport

BRAKE SYSTEM

Exhaust brake; Ventilated disc brakes front and rear. Dual circuit air system with electronic control (EBS).Engine driven, water cooled air compressor with automatic air heated dryer..

Optional

09921 MX Engine Brake	01497 Park brake control pneumatic with spoken warning
02715 ZF Intarder	04901 Spring brake cylinders on the first front axle
01572 Park brake control electro-pneumatic	00929 Driven rear axle with drum brakes

CHASSIS

Wheelbase 4.60 m / rear overhang 2.75 m; Side member height 260 mm; Standard component location; 340 l alu fuel tank LH, height 620 mm; Tank for AdBlue® 45 l, left-hand side chassis; Front underrun protection (FUP); Spray suppression.

Optional

02601 Side member height 310 mm	07071 Spare wheel carrier right-hand side
16157 Fuel tanks, material and sizes	03323 Rear light with LEDs

DRAWBAR AND TRAILER EQUIPMENT

Closing member.

Optional

07033 Trailer coupling Ringfeder D=13.7	08027 Trailer coupling Rockinger D=20.0
07034 Trailer coupling Ringfeder D=20.0	04659 Trailer cable EBS
08026 Trailer coupling Rockinger D=13.0	

BODIES AND PREPARATIONS FOR BODYING

Application connector chassis.

Optional

09421 Additional spare wiring	08121 Tail lift application
--------------------------------------	------------------------------------

POWER TAKE-OFF (PTO)

Optional

16148 PTO types and positions

24V POWER SUPPLY

Alternator 110 A, batteries 2x 140 Ah..

Optional

04492 Alternator 130 A	07671 Batteries 2x210Ah AGM C-type
08775 Alternator 150 A	06440 Batteries 2x230Ah
08797 Batteries 2x175Ah	

GVM AND GCM

Chassis weight related technical GVM max 27000 kg; Driveline related max GCM 38000 kg class 2.

Optional

00209 Driveline related max GCM 40000 kg class 3	00939 Driveline related max GCM 56000 kg class 2
03673 Driveline related max GCM 44000 kg class 2	00818 Driveline related max GCM 60000 kg class 3
03675 Driveline related max GCM 50000 kg class 3	

APPLICATION CONDITIONS

Air intake front.

Optional

02260 Extra cab insulation	06614 Anti-dust blow-up shield
03648 Cyclonic air intake high	

SERVICE AND MAINTENANCE

Standard Warranty takes care of 1 year complete vehicle as supplied by the OEM (excl. real wear parts), 2nd year driveline and 1st year breakdown.; ITS service.

Optional

08311 Service interval extended

VEHICLE DELIVERY

Minimum toolkit.

Optional

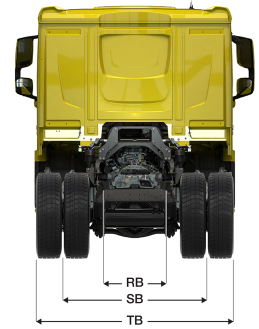
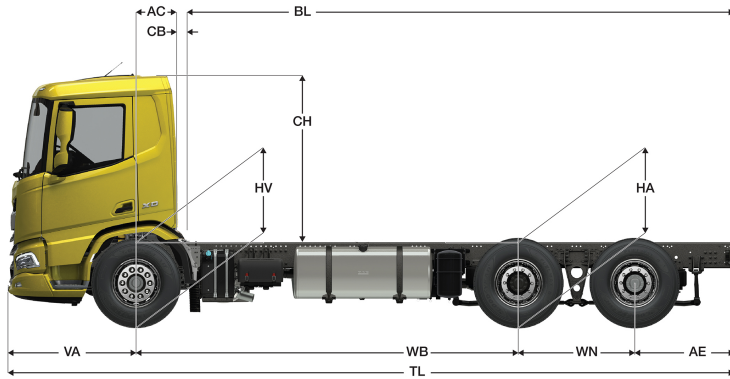
07569 Lifting jack



Go to [DAF.com](https://www.daf.com) to configure your own perfect DAF.

XD 300

FAS 6X2 Rigid, double mounted trailing axle



	Wheelbase - AE		Unladen weight ⁹⁾			Gross Carrying Capacity			Variable dimensions									
	WB	AE ⁵⁾	Front	Rear	Total	Front	Rear	Total	AC	CB ⁶⁾	CH	BL ⁷⁾	BL	TL	HA ⁸⁾	HA ⁹⁾	TK ¹⁰⁾	TW ¹¹⁾
DAY CAB	3,80	2,05	4896	3082	7978	3104	15918	18022	0,50	0,07	2,01	6,13	6,13	8,78	1,02	0,99	14,93	16,34
	4,20	2,40	4888	3180	8068	3112	15820	17932	0,50	0,07	2,01	6,77	6,77	9,53	1,02	0,99	15,97	17,40
	4,40	2,55	4893	3245	8138	3107	15755	17862	0,50	0,07	2,01	7,10	7,10	9,88	1,02	0,99	16,49	17,92
	4,60	2,75	4871	3240	8111	3129	15760	17889	0,50	0,07	2,06	7,42	7,42	10,28	0,97	0,94	17,01	18,45
	4,80	2,90	4851	3268	8119	3149	15732	17881	0,50	0,07	2,06	7,75	7,75	10,63	0,97	0,94	17,53	18,98
	5,05	2,90	4855	3283	8138	3145	15717	17862	0,50	0,07	2,06	8,16	8,16	10,88	0,97	0,94	18,19	19,64
	5,30	2,90	4863	3300	8163	3137	15700	17837	0,50	0,07	2,06	8,59	8,59	11,13	0,97	0,94	18,84	20,30
	5,60	2,85	4910	3392	8302	3090	15608	17698	0,50	0,07	2,01	9,08	9,08	11,38	1,02	0,99	19,63	21,10
5,90	2,80	4923	3404	8327	3077	15596	17673	0,50	0,07	2,01	9,60	9,60	11,63	1,02	1,00	20,41	21,89	
SLEEPER CAB	WB	AE ⁵⁾	Front	Rear	Total	Front	Rear	Total	AC	CB ⁶⁾	CH	BL ⁷⁾	BL	TL	HA ⁸⁾	HA ⁹⁾	TK ¹⁰⁾	TW ¹¹⁾
	4,20	2,40	4990	3183	8173	3010	15817	17827	0,83	0,07	2,01	6,15	6,15	9,53	1,02	0,99	15,97	17,40
	4,40	2,55	4995	3248	8243	3005	15752	17757	0,83	0,07	2,01	6,49	6,49	9,88	1,02	0,99	16,49	17,92
	4,60	2,75	4973	3243	8216	3027	15757	17784	0,83	0,07	2,06	6,82	6,82	10,28	0,97	0,94	17,01	18,45
	4,80	2,90	4954	3270	8224	3046	15730	17776	0,83	0,07	2,06	7,14	7,14	10,63	0,97	0,94	17,53	18,98
	5,05	2,90	4958	3285	8243	3042	15715	17757	0,83	0,07	2,06	7,56	7,56	10,88	0,97	0,94	18,19	19,64
	5,30	2,90	4966	3302	8268	3034	15698	17732	0,83	0,07	2,06	7,98	7,98	11,13	0,97	0,94	18,84	20,30
	5,60	2,85	5013	3394	8407	2987	15606	17593	0,83	0,07	2,01	8,49	8,49	11,38	1,02	0,99	19,63	21,10
5,90	2,80	5026	3405	8432	2974	15595	17568	0,83	0,07	2,01	9,01	9,01	11,63	1,02	0,99	20,41	21,89	
SLEEPER HIGH CAB	WB	AE ⁵⁾	Front	Rear	Total	Front	Rear	Total	AC	CB ⁶⁾	CH	BL ⁷⁾	BL	TL	HA ⁸⁾	HA ⁹⁾	TK ¹⁰⁾	TW ¹¹⁾
	4,20	2,40	5020	3182	8202	2980	15818	17798	0,83	0,07	2,49	6,17	6,17	9,53	1,02	0,99	15,97	17,40
	4,40	2,55	5025	3247	8272	2975	15753	17728	0,83	0,07	2,49	6,50	6,50	9,88	1,02	0,99	16,49	17,92
	4,60	2,75	5003	3242	8245	2997	15758	17755	0,83	0,07	2,54	6,82	6,82	10,28	0,97	0,94	17,01	18,45
	4,80	2,90	4984	3270	8254	3016	15730	17746	0,83	0,07	2,54	7,16	7,16	10,63	0,97	0,94	17,53	18,98
	5,05	2,90	4988	3285	8273	3012	15715	17727	0,83	0,07	2,54	7,56	7,56	10,88	0,97	0,94	18,19	19,64
	5,30	2,90	4996	3302	8297	3004	15698	17703	0,83	0,07	2,54	7,99	7,99	11,13	0,97	0,94	18,84	20,30
	5,60	2,85	5043	3393	8436	2957	15607	17564	0,83	0,07	2,49	8,51	8,51	11,38	1,02	0,99	19,63	21,10
5,90	2,80	5056	3405	8461	2944	15595	17539	0,83	0,07	2,49	9,03	9,03	11,63	1,02	0,99	20,41	21,89	

OTHER DIMENSIONS VA: 1,53 WN: 1,40 HV¹²⁾: 0,97 HV¹³⁾: 0,93 RB: 0,79 SB: 1,82 TB¹⁴⁾: 2,48

- GVM in conformity with registration documents.
- GCM in conformity with registration documents.
- Axle load with standard tyre size.
- Chassis and cab weight calculated with: Standard specification items only with 340 litres of fuel, 45 litres of AdBlue® and driver of 90 kg, tolerance ± 3%. Changing of the specification can have major impact on vehicle weight.
- Other AE dimensions may be available for shown WB. Modify rear overhang to the calculated body length.
- CB is based on standard air intake and/or exhaust.
- Calculate customer specific body length with TOPEC. Body lengths shown based on evenly distributed load at max axle load.

- Unladen height at centre of driven axle (trailing axle down).
- Laden height at centre of driven axle(s).
- TK = turning circle between kerbs.
- TW = turning circle between walls.
- Unladen height at centre of front axle(s).
- Laden height at centre of front axle(s).
- TB is overall width at rear. (At centre of front axle 255).

Depending on the vehicle configuration a specific option may not be possible. The availability and specification of this vehicle may differ per country. For further information please contact the DAF organisation. Pictures and technical illustrations are not binding in detail and can differ from the standard specification. Subject to modification without prior notice.