

# Specification sheet

## XD 300

FA 4X2 Rigid



### ENGINES

XD NewGen 300 MX-11 (220 kW / 299 hp)
XD NewGen 340 MX-11 (251 kW / 341 hp)
XD NewGen 370 MX-11 (270 kW / 367 hp)
XD NewGen 410 MX-11 (300 kW / 408 hp)
XD NewGen 450 MX-11 (330 kW / 449 hp)

### GVM<sup>1)</sup>

18000 kg
Max. front 8000 kg
Max. rear 11500 kg

### GCM<sup>2)</sup>

38000 kg

## OPTION PACKAGES

### Optional

**17448** Safety pack **17595** Executive Pack XD/XF

## CAB EXTERIOR

Luxurious Day Cab with unrivalled aerodynamics for fuel efficient driving and low CO2 emissions. The huge and deep frontscreen, curved at the sides combined with large side windows offer an unsurpassed direct view for the driver, to enhance road safety. Cab length: 2030 mm; cab width: 2500 mm. Number of cab entrance steps: 2.; Cab suspension mechanical; LED head lights; DAF Corner View.

### Optional

**07018** Sleeper Cab **01836** LED Skylights  
**06244** Sleeper High Cab **00949** LED Skylights; aux. LED lights on cab rf, prepared  
**02889** Chassis front execution: no bottom plate **01925** Two LED work lamps for cab rear wall  
**02952** Chassis front execution: bottom plate aero **01891** Hazard beacons on cab front, prepared  
**03353** Chassis front execution: protruding **06629** Two hazard beacon lights  
**07586** Chassis front execution: robust **03232** Front windscreen with solar control foil  
**01226** Cab suspension air **03317** Rear window: double glass  
**03358** External sun visor **07343** Kerb view window co-driver door  
**03922** Fog lights front **01362** DAF Digital Vision System  
**00936** Auxiliary LED lights on cab roof, prepared

## AERODYNAMICS

### Optional

**00008** Adj. roof air deflector short Sleeper High Cab **00082** Adj. roof air deflector for Day Cab  
**00124** Adj. rf air defl.long mid >4m(!) Sleeper High Cab **00097** Adj. roof air deflector for Sleeper Cab  
**01538** Adj. roof air defl. long high >4m(!) Sleeper High **00020** Adj. roof air deflector long low Sleeper High Cab  
**02662** Adj. roof air defl. long mid XD Sleeper High Cab

## COLOURS

Cab colour E1980 Crystal White; Chassis colour grey.; Colour of bumper: Crystal White.

## CAB INTERIOR

Cab interior trim colour: Luxury; Dashboard finish: Vision; Cab interior decoration: Hexagon; Driver seat: Comfort Air; Co-driver seat: cinema with fabric cover; No dashboard table; Storage compartment in centre; Automatic Temperature Control and aircoc; No auxiliary cab heater.

### Optional

**02354** Steering wheel with silver accents **02117** Third seat  
**02355** Steering wheel, leather **02837** Dashboard table  
**02353** Cab interior decoration: Argenta **03948** Single drawer  
**02350** Cab interior decoration: Natura **03954** Refrigerator  
**07733** Driver seat: Luxury Air **02838** Foam mattress for lower bunk  
**07736** Driver seat: Super Air **02854** Xtra Comfort mattress for lower bunk  
**07737** Driver seat: Xtra Leather Air **01775** Xtra Comfort mattress with topper for lower bunk  
**09541** Arm rest driver seat **06970** Automatic Cab Climate Control  
**01740** Arm rest at both sides of the driver seat

## COMMUNICATION AND DRIVING MANAGEMENT

PACCAR Connect; Tachograph digital, Stoneridge 1C version G2V2; Speed limiter setting 85/90 km/h; DAF Infotainment Luxury with Luxury speakers; Adaptive Cruise Control with FCW and AEBS-3; Driver Performance Assistant.

### Optional

**09681** Preparation for Maut **03470** DAF Infotainment System: Exclusive, prepared  
**06211** DAF Infotainment System with FM/DAB/DAB+ radio **01915** DAF Infotainment System: Luxury Plus

## SAFETY AND SECURITY

Lane Departure Warning System; Vehicle Stability Control (VSC); Basic engine immobiliser system; No EC-ADR packages; DAF Side & Turn Assist.

### Optional

**08631** Air bag (driver) and 2 seat belt tensioners **00795** Safety regulations EC ADR

## SUSPENSION AND AXLES

Front: 8.00 t, parabolic, 163N; Rear axle load 13.00 t; Rear: air suspension, SR1344; No lifting device.

### Optional

**06257** Front axle load 9.00 t **04588** Rear axle SR1347  
**04647** Front springs air **01603** Rear springs parabolic  
**04057** Rear axle HR1356 **08191** Axle load monitoring

## WHEELS AND TYRES

Driven rear axle(s): 315/70R22.5; F1,315/70R22.5GO FMXSE 156/150 L Steering BBA 3P; R1,315/70R22.5GO FMXDE 154/150 L Traction BBA 3P.

### Optional

**16152** Tyre makes and types

## DRIVELINE

Engine MX-11, multi torque 6 cylinder diesel engine, 10.8 litres. Output 220 kW (299 hp) at 1600 rpm. Max. torque 1450 Nm at 900-1400 rpm.; Exhaust emission Euro 6; Eco fuel; 12-speed TraXon 12TX1810 OD, 12.92-0.77; Gearbox ratio 12.92-0.77; Rear axle ratio 3.08.

### Optional

**07110** Eco performance **08371** Long Combination Vehicle (LCV)  
**02313** Gearbox direct drive **09638** Off-road applications  
**01514** Urge-to-move **01498** Off-road applications with Rock-free function  
**07101** Standard transport, Lite version **02843** Mechanical differential lock  
**09637** Liquid transport

## BRAKE SYSTEM

Exhaust brake; Ventilated disc brakes front and rear. Dual circuit air system with electronic control (EBS).Engine driven, water cooled air compressor with automatic air heated dryer..

### Optional

**09921** MX Engine Brake **01497** Park brake control pneumatic with spoken warning  
**02715** ZF Intarder **04901** Spring brake cylinders on the first front axle  
**01572** Park brake control electro-pneumatic **00929** Driven rear axle with drum brakes

## CHASSIS

Wheelbase 4.00 m / rear overhang 1.70 m; Side member height 260 mm; Standard component location; 340 l alu fuel tank LH, height 620 mm; Tank for AdBlue® 45 l, left-hand side chassis; Front underrun protection (FUP); Spray suppression.

### Optional

- |   |  |
|---|--|
| <b>02601</b> Side member height 310 mm      | <b>07071</b> Spare wheel carrier right-hand side |
| <b>16157</b> Fuel tanks, material and sizes | <b>03323</b> Rear light with LEDs                |

## DRAWBAR AND TRAILER EQUIPMENT

Closing member.

### Optional

- |  |  |
|--|--|
| <b>07033</b> Trailer coupling Ringfeder D=13.7 | <b>08027</b> Trailer coupling Rockinger D=20.0 |
| <b>07034</b> Trailer coupling Ringfeder D=20.0 | <b>04659</b> Trailer cable EBS                 |
| <b>08026</b> Trailer coupling Rockinger D=13.0 |  |

## BODIES AND PREPARATIONS FOR BODYING

Application connector chassis.

### Optional

- |                                      |                                    |
|--------------------------------------|------------------------------------|
| <b>09421</b> Additional spare wiring | <b>08121</b> Tail lift application |
|--------------------------------------|------------------------------------|

## POWER TAKE-OFF (PTO)

### Optional

- 16148** PTO types and positions

## 24V POWER SUPPLY

Alternator 110 A, batteries 2x 140 Ah..

### Optional

- |                                |   |
|--------------------------------|---|
| <b>04492</b> Alternator 130 A  | <b>07671</b> Batteries 2x210Ah AGM C-type |
| <b>08775</b> Alternator 150 A  |   |
| <b>08797</b> Batteries 2x175Ah | <b>06440</b> Batteries 2x230Ah            |

## GVM AND GCM

Chassis weight related technical GVM max 19500 kg; Driveline related max GCM 38000 kg class 2.

### Optional

- |   |   |
|---|---|
| <b>00209</b> Driveline related max GCM 40000 kg class 3 | <b>00939</b> Driveline related max GCM 56000 kg class 2 |
| <b>03673</b> Driveline related max GCM 44000 kg class 2 | <b>00818</b> Driveline related max GCM 60000 kg class 3 |
| <b>03675</b> Driveline related max GCM 50000 kg class 3 |   |

## APPLICATION CONDITIONS

Air intake front.

### Optional

- |                                   |                                       |
|-----------------------------------|---------------------------------------|
| <b>08400</b> Silent mode          | <b>03648</b> Cyclonic air intake high |
| <b>02260</b> Extra cab insulation | <b>06614</b> Anti-dust blow-up shield |

## SERVICE AND MAINTENANCE

Standard Warranty takes care of 1 year complete vehicle as supplied by the OEM (excl. real wear parts), 2nd year driveline and 1st year breakdown.; ITS service.

### Optional

- 08311** Service interval extended

## VEHICLE DELIVERY

Minimum toolkit.

### Optional

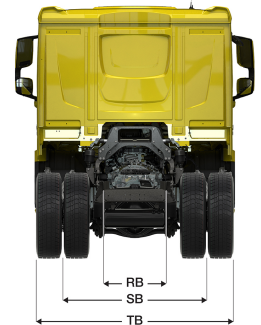
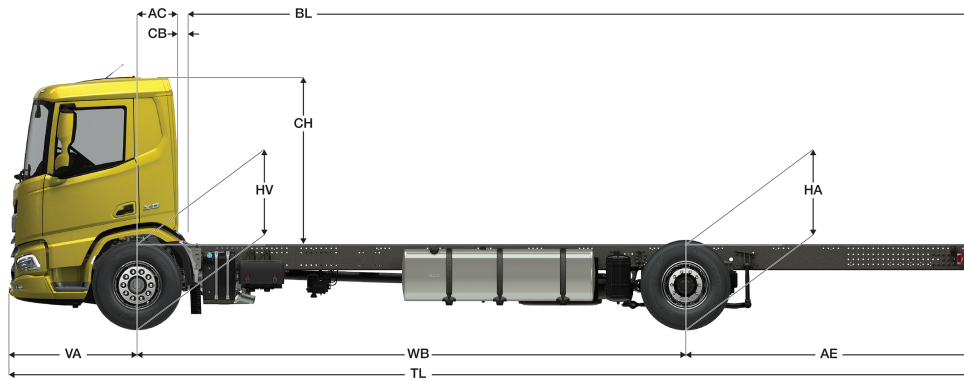
- 07569** Lifting jack



Go to [DAF.com](https://www.daf.com) to configure your own perfect DAF.

# XD 300

## FA 4X2 Rigid



	Wheelbase - AE		Unladen weight <sup>1)</sup>			Gross Carrying Capacity			Variable dimensions									
	WB	AE <sup>5)</sup>	Front	Rear	Total	Front	Rear	Total	AC	CB <sup>6)</sup>	CH <sup>7)</sup>	BL <sup>8)</sup>	BL	TL	HA <sup>9)</sup>	HA <sup>10)</sup>	TK <sup>11)</sup>	TW <sup>12)</sup>
DAY CAB	3,80	1,30	4678	1872	6550	3322	9628	11450	0,50	0,07	2,06	4,52	5,39	6,63	0,97	0,94	13,50	14,88
	4,00	1,70	4643	1916	6560	3357	9584	11440	0,50	0,07	2,06	4,79	5,71	7,23	0,97	0,94	14,01	15,41
	4,20	1,80	4648	1950	6598	3352	9550	11402	0,50	0,07	2,06	5,09	6,04	7,53	0,97	0,94	14,53	15,94
	4,50	1,95	4643	1996	6640	3357	9504	11360	0,50	0,07	2,06	5,52	6,56	7,98	0,97	0,94	15,31	16,73
	4,70	2,05	4637	2018	6656	3363	9482	11344	0,50	0,07	2,06	5,80	6,89	8,28	0,97	0,94	15,83	17,26
	4,90	2,35	4626	2054	6680	3374	9446	11320	0,50	0,07	2,06	6,08	7,22	8,78	0,97	0,94	16,35	17,79
	5,10	2,75	4674	2200	6874	3326	9300	11126	0,50	0,07	2,06	6,38	7,58	9,38	0,97	0,94	16,87	18,31
	5,40	2,65	4682	2210	6892	3318	9290	11108	0,50	0,07	2,06	6,83	8,10	9,58	0,97	0,94	17,66	19,11
	5,70	2,65	4691	2234	6925	3309	9266	11075	0,50	0,07	2,06	7,27	8,61	9,88	0,97	0,94	18,44	19,90
	6,10	2,80	4703	2291	6994	3297	9209	11006	0,50	0,07	2,06	7,85	9,31	10,43	0,97	0,94	19,49	20,96
6,60	3,45	4646	2295	6942	3354	9205	11058	0,50	0,07	2,01	8,54	10,10	11,58	1,02	0,99	20,80	22,28	
6,90	3,50	4650	2313	6963	3350	9187	11037	0,50	0,07	2,01	8,97	10,61	11,93	1,02	0,99	21,59	23,07	
SLEEPER CAB	WB	AE <sup>5)</sup>	Front	Rear	Total	Front	Rear	Total	AC	CB <sup>6)</sup>	CH <sup>7)</sup>	BL <sup>8)</sup>	BL	TL	HA <sup>9)</sup>	HA <sup>10)</sup>	TK <sup>11)</sup>	TW <sup>12)</sup>
	3,80	1,30	4780	1876	6656	3220	9624	11344	0,83	0,07	2,06	3,90	4,78	6,63	0,97	0,94	13,50	14,88
	4,00	1,70	4746	1920	6666	3254	9580	11334	0,83	0,07	2,06	4,18	5,10	7,23	0,97	0,94	14,01	15,41
	4,20	1,80	4750	1954	6704	3250	9546	11296	0,83	0,07	2,06	4,47	5,44	7,53	0,97	0,94	14,53	15,94
	4,50	1,95	4746	2000	6746	3254	9500	11254	0,83	0,07	2,06	4,91	5,96	7,98	0,97	0,94	15,31	16,73
	4,70	2,05	4740	2022	6762	3260	9478	11238	0,83	0,07	2,06	5,20	6,30	8,28	0,97	0,94	15,83	17,26
	4,90	2,35	4729	2058	6786	3271	9442	11214	0,83	0,07	2,06	5,48	6,62	8,78	0,97	0,94	16,35	17,79
	5,10	2,75	4777	2203	6981	3223	9297	11019	0,83	0,07	2,06	5,79	6,98	9,38	0,97	0,94	16,87	18,31
	5,40	2,65	4785	2213	6998	3215	9287	11002	0,83	0,07	2,06	6,23	7,52	9,58	0,97	0,94	17,66	19,11
	5,70	2,65	4795	2237	7032	3205	9263	10968	0,83	0,07	2,06	6,68	8,04	9,88	0,97	0,94	18,44	19,90
6,10	2,80	4807	2294	7100	3193	9206	10900	0,83	0,07	2,06	7,27	8,73	10,43	0,97	0,94	19,49	20,96	
6,60	3,45	4750	2298	7048	3250	9202	10952	0,83	0,07	2,01	7,97	9,54	11,58	1,02	0,99	20,80	22,28	
6,90	3,50	4754	2315	7070	3246	9185	10930	0,83	0,07	2,01	8,41	10,06	11,93	1,02	0,99	21,59	23,07	
SLEEPER HIGH CAB	WB	AE <sup>5)</sup>	Front	Rear	Total	Front	Rear	Total	AC	CB <sup>6)</sup>	CH <sup>7)</sup>	BL <sup>8)</sup>	BL	TL	HA <sup>9)</sup>	HA <sup>10)</sup>	TK <sup>11)</sup>	TW <sup>12)</sup>
	3,80	1,30	4810	1876	6686	3190	9624	11314	0,83	0,07	2,54	3,91	4,79	6,63	0,97	0,94	13,50	14,88
	4,00	1,70	4776	1920	6696	3224	9580	11304	0,83	0,07	2,54	4,19	5,12	7,23	0,97	0,94	14,01	15,41
	4,20	1,80	4781	1953	6734	3219	9547	11266	0,83	0,07	2,54	4,48	5,46	7,53	0,97	0,94	14,53	15,94
	4,50	1,95	4776	1999	6776	3224	9501	11224	0,83	0,07	2,54	4,92	5,98	7,98	0,97	0,94	15,31	16,73
	4,70	2,05	4770	2021	6792	3230	9479	11208	0,83	0,07	2,54	5,21	6,31	8,28	0,97	0,94	15,83	17,26
	4,90	2,35	4759	2057	6816	3241	9443	11184	0,83	0,07	2,54	5,50	6,65	8,78	0,97	0,94	16,35	17,79
	5,10	2,75	4808	2203	7010	3192	9297	10990	0,83	0,07	2,54	5,80	7,01	9,38	0,97	0,94	16,87	18,31
	5,40	2,65	4815	2213	7028	3185	9287	10972	0,83	0,07	2,54	6,26	7,53	9,58	0,97	0,94	17,66	19,11
	5,70	2,65	4825	2236	7061	3175	9264	10939	0,83	0,07	2,54	6,70	8,05	9,88	0,97	0,94	18,44	19,90
6,10	2,80	4837	2293	7130	3163	9207	10870	0,83	0,07	2,54	7,29	8,74	10,43	0,97	0,94	19,49	20,96	
6,60	3,45	4780	2297	7078	3220	9203	10922	0,83	0,07	2,49	7,99	9,56	11,58	1,02	0,99	20,80	22,28	
6,90	3,50	4784	2315	7099	3216	9185	10901	0,83	0,07	2,49	8,43	10,08	11,93	1,02	0,99	21,59	23,07	

OTHER DIMENSIONS VA: 1,53 HV<sup>13)</sup>: 0,98 HV<sup>14)</sup>: 0,91 RB: 0,79 SB: 1,82 TB<sup>15)</sup>: 2,48

- GVM in conformity with registration documents.
- GCM in conformity with registration documents.
- Axle load with standard tyre size.
- Chassis and cab weight calculated with: Standard specification items only with 340 litres of fuel, 45 litres of AdBlue® and driver of 90 kg, tolerance ± 3%. Changing of the specification can have major impact on vehicle weight.
- Other AE dimensions may be available for shown WB. Modify rear overhang to the calculated body length.
- CB is based on standard air intake and/or exhaust.
- Cab height is measured from frame member to closed cabin roof hatch.
- Calculate customer specific body length with TOPEC. Body lengths shown based on evenly distributed load at max axle load.
- Unladen height at centre of driven axle(s).
- Laden height at centre of driven axle(s).
- TK = turning circle between kerbs.
- TW = turning circle between walls.
- Unladen height at centre of front axle(s).
- Laden height at centre of front axle(s).
- TB is overall width at rear. (At centre of front axle 255).

Depending on the vehicle configuration a specific option may not be possible. The availability and specification of this vehicle may differ per country. For further information please contact the DAF organisation. Pictures and technical illustrations are not binding in detail and can differ from the standard specification. Subject to modification without prior notice.