

# Specification sheet

## XD 220

FA 4X2 Rigid, Electric



### ENGINES

XD BEVNewGen rnal (mbusti / No hp listing)

XD BEVNewGen 170 rnal (mbusti / No hp listing)

XD BEVNewGen 220 rnal (mbusti / No hp listing)

XD BEVNewGen 270 rnal (mbusti / No hp listing)

XD BEVNewGen 310 rnal (mbusti / No hp listing)

### GVM<sup>1)</sup>

18000 kg

Max. front 8000 kg

Max. rear 11500 kg

### GCM<sup>2)</sup>

21500 kg

016F0100AAAA - 202437D - 28-05-2024

DAF Trucks Ltd, UK, Haddenham, HP17 8LJ, [www.daf.co.uk](http://www.daf.co.uk)

## OPTION PACKAGES

### Optional

**17448** Safety pack **17595** Executive Pack XD/XF

## CAB EXTERIOR

Luxurious Day Cab with unrivalled aerodynamics for fuel efficient driving and low CO2 emissions. The huge and deep frontscreen, curved at the sides combined with large side windows offer an unsurpassed direct view for the driver, to enhance road safety. Cab length: 2030 mm; cab width: 2500 mm.; Cab suspension mechanical; LED head lights; DAF Corner View.

### Optional

**07018** Sleeper Cab **01836** LED Skylights  
**06244** Sleeper High Cab **00949** LED Skylights; aux. LED lights on cab rf, prepared  
**02889** Chassis front execution: no bottom plate **01925** Two LED work lamps for cab rear wall  
**02952** Chassis front execution: bottom plate aero **01891** Hazard beacons on cab front, prepared  
**07586** Chassis front execution: robust **06629** Two hazard beacon lights  
**01226** Cab suspension air **03232** Front windscreen with solar control foil  
**03358** External sun visor **03317** Rear window: double glass  
**03922** Fog lights front **07343** Kerb view window co-driver door  
**00936** Auxiliary LED lights on cab roof, prepared **01362** DAF Digital Vision System

## AERODYNAMICS

### Optional

**00008** Adj. roof air deflector short Sleeper High Cab **00082** Adj. roof air deflector for Day Cab  
**00124** Adj. rf air defl.long mid >4m(!) Sleeper High Cab **00097** Adj. roof air deflector for Sleeper Cab  
**01538** Adj. roof air defl. long high >4m(!) Sleeper High **00020** Adj. roof air deflector long low Sleeper High Cab  
**02662** Adj. roof air defl. long mid XD Sleeper High Cab

## COLOURS

Cab colour E1980 Crystal White; Chassis colour grey.; Colour of bumper: Crystal White.

## CAB INTERIOR

Cab interior trim colour: Luxury; Dashboard finish: Vision; Cab interior decoration: Hexagon; Driver seat: Comfort Air; Co-driver seat: cinema with fabric cover; No dashboard table; Storage compartment in centre; Automatic Temperature Control and aircoc; Auxiliary cab heater (water).

### Optional

**02354** Steering wheel with silver accents **02117** Third seat  
**02355** Steering wheel, leather **02837** Dashboard table  
**02353** Cab interior decoration: Argenta **03948** Single drawer  
**02350** Cab interior decoration: Natura **03954** Refrigerator  
**07733** Driver seat: Luxury Air **02838** Foam mattress for lower bunk  
**07736** Driver seat: Super Air **02854** Xtra Comfort mattress for lower bunk  
**07737** Driver seat: Xtra Leather Air **01775** Xtra Comfort mattress with topper for lower bunk  
**09541** Arm rest driver seat **06970** Automatic Cab Climate Control  
**01740** Arm rest at both sides of the driver seat

## COMMUNICATION AND DRIVING MANAGEMENT

PACCAR Connect; Tachograph digital, Stoneridge 1C version G2V2; Speed limiter setting 85/90 km/h; DAF Infotainment Luxury with Luxury speakers; Adaptive Cruise Control with FCW and AEBS-3; Driver Performance Assistant.

### Optional

**09681** Preparation for Maut **03470** DAF Infotainment System: Exclusive, prepared  
**06211** DAF Infotainment System with FM/DAB/DAB+ radio **01915** DAF Infotainment System: Luxury Plus

## SAFETY AND SECURITY

Lane Departure Warning System; Vehicle Stability Control (VSC); Basic engine immobiliser system; No EC-ADR packages; DAF Side & Turn Assist.

### Optional

**08631** Air bag (driver) and 2 seat belt tensioners

## SUSPENSION AND AXLES

Front: 8.00 t, parabolic, 163N; Rear axle load 13.00 t; Rear: air suspension, SR1344; No lifting device.

### Optional

**06257** Front axle load 9.00 t **04647** Front springs air  
**06095** Front axle load 10.00 t **08191** Axle load monitoring

## WHEELS AND TYRES

Driven rear axle(s): 315/70R22.5; F1,315/70R22.5GO FMXSE 156/150 L Steering BBA 3P; R1,315/70R22.5GO FMXDE 154/150 L Traction BBA 3P.

### Optional

**16152** Tyre makes and types

## DRIVELINE

Electric motor type EX-D1; 220 kW; 150 kW DC charging; Battery Electric Vehicle; Rear axle ratio 2.05.

### Optional

**01656** Electric motor type EX-D2 **01749** Charging: 150 kW DC + 22 kW AC  
**01664** 170 kW **01756** 325 kW DC charging  
**01686** 270 kW **01514** Urge-to-move  
**01691** 310 kW **02843** Mechanical differential lock  
**01692** 350 kW

## BRAKE SYSTEM

Ventilated disc brakes front and rear. Dual circuit air system with electronic control (EBS). Electric driven, water cooled air compressor with automatic air heated dryer..

### Optional

**04901** Spring brake cylinders on the first front axle

## CHASSIS

Wheelbase 4.30 m / rear overhang 1.80 m; Side member height 260 mm; Standard component location; 3 HV battery packs; HV battery pack left, position 2; HV battery pack right, position 2; Front underrun protection (FUP); Spray suppression.

### Optional

- |   |  |
|---|--|
| <b>02601</b> Side member height 310 mm                | <b>01762</b> HV battery packs left, positions 2 and 3  |
| <b>01696</b> 2 HV battery packs                       | <b>01779</b> HV battery pack right, position 1         |
| <b>01699</b> 4 HV battery packs                       | <b>01791</b> HV battery packs right, positions 1 and 2 |
| <b>01701</b> 5 HV battery packs                       | <b>01799</b> HV battery packs right, positions 2 and 3 |
| <b>01634</b> HV battery pack left, position 1         | <b>01658</b> No HV battery packs right                 |
| <b>01759</b> HV battery packs left, positions 1 and 2 | <b>16157</b> Fuel tanks, material and sizes            |

### Optional

- 07569** Lifting jack

## DRAWBAR AND TRAILER EQUIPMENT

Closing member.

### Optional

- |  |  |
|--|--|
| <b>07033</b> Trailer coupling Ringfeder D=13.7 | <b>08027</b> Trailer coupling Rockinger D=20.0 |
| <b>07034</b> Trailer coupling Ringfeder D=20.0 | <b>04659</b> Trailer cable EBS                 |
| <b>08026</b> Trailer coupling Rockinger D=13.0 |  |

## BODIES AND PREPARATIONS FOR BODYING

Application connector chassis.

### Optional

- |                                      |                                    |
|--------------------------------------|------------------------------------|
| <b>09421</b> Additional spare wiring | <b>08121</b> Tail lift application |
|--------------------------------------|------------------------------------|

## POWER TAKE-OFF (PTO)

### Optional

- |   |   |
|---|---|
| <b>01809</b> E-PTO socket 650V DC < 25 kW | <b>01815</b> E-PTO socket 650V DC < 60 kW |
|---|---|

## 24V POWER SUPPLY

Batteries 2x 175 Ah..

### Optional

- |   |                                |
|---|--------------------------------|
| <b>07671</b> Batteries 2x210Ah AGM C-type | <b>06440</b> Batteries 2x230Ah |
|---|--------------------------------|

## GVM AND GCM

Chassis weight related technical GVM max 20500 kg; Driveline related max GCM 21500 kg.

### Optional

- |   |   |
|---|---|
| <b>01933</b> Driveline related max GCM 42000 kg | <b>02200</b> Driveline related max GCM 46000 kg class 2 |
| <b>01937</b> Driveline related max GCM 46000 kg | <b>03675</b> Driveline related max GCM 50000 kg class 3 |

## APPLICATION CONDITIONS

### Optional

- |                                   |                                       |
|-----------------------------------|---------------------------------------|
| <b>02260</b> Extra cab insulation | <b>06614</b> Anti-dust blow-up shield |
|-----------------------------------|---------------------------------------|

## SERVICE AND MAINTENANCE

Standard Warranty takes care of 1 year complete vehicle as supplied by the OEM (excl. real wear parts), 2nd year driveline and 1st year breakdown.; ITS service.

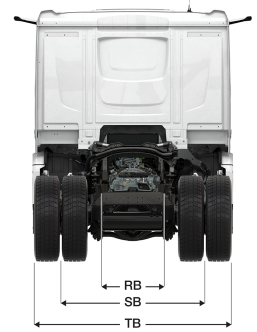
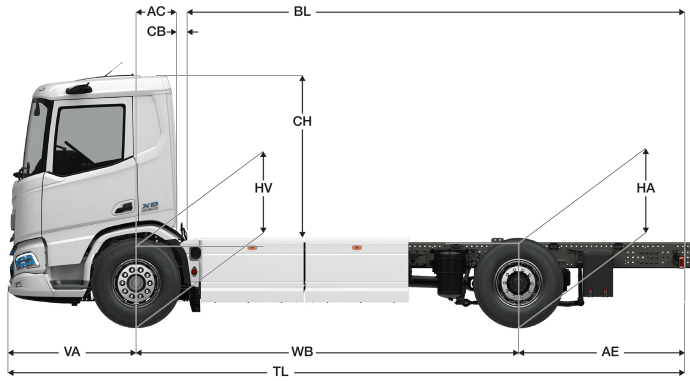
## VEHICLE DELIVERY

Minimum toolkit.

Go to [DAF.com](https://www.daf.com) to configure your own perfect DAF.

# XD 220

## FA 4X2 Rigid, Electric



	Wheelbase - AE		Unladen weight <sup>9)</sup>			Gross Carrying Capacity			Variable dimensions									
	WB	AE <sup>5)</sup>	Front	Rear	Total	Front	Rear	Total	AC	CB <sup>6)</sup>	CH <sup>7)</sup>	BL <sup>8)</sup>	BL	TL	HA <sup>9)</sup>	HA <sup>10)</sup>	TK <sup>11)</sup>	TW <sup>12)</sup>
DAY CAB	3,90	1,30	5580	3119	8699	2420	8381	9301	0,50	0,07	2,06	5,06	5,39	6,73	0,97	0,94	13,76	15,14
	4,30	1,80	5716	3096	8811	2284	8404	9189	0,50	0,07	2,06	5,79	6,14	7,63	0,97	0,94	14,79	16,20
	4,50	1,95	5798	3089	8887	2202	8411	9113	0,50	0,07	2,06	6,16	6,53	7,98	0,97	0,94	15,31	16,73
	4,70	2,05	5850	3055	8905	2150	8445	9095	0,50	0,07	2,06	6,52	6,92	8,28	0,97	0,94	15,83	17,26
	4,90	2,35	5900	3057	8957	2100	8443	9043	0,50	0,07	2,06	6,89	7,29	8,78	0,97	0,94	16,35	17,78
	5,10	2,75	5933	3070	9003	2067	8430	8997	0,50	0,07	2,06	7,23	7,67	9,38	0,97	0,94	16,87	18,31
	5,40	2,65	6010	3012	9022	1990	8488	8978	0,50	0,07	2,06	7,80	8,25	9,58	0,97	0,94	17,66	19,11
5,70	2,65	6103	3008	9111	1897	8492	8889	0,50	0,07	2,06	8,36	8,85	9,88	0,97	0,94	18,44	19,90	
6,10	2,80	6181	2987	9168	1819	8513	8832	0,50	0,07	2,06	9,11	9,64	10,43	0,97	0,94	19,49	20,96	
SLEEPER CAB	WB	AE <sup>5)</sup>	Front	Rear	Total	Front	Rear	Total	AC	CB <sup>6)</sup>	CH <sup>7)</sup>	BL <sup>8)</sup>	BL	TL	HA <sup>9)</sup>	HA <sup>10)</sup>	TK <sup>11)</sup>	TW <sup>12)</sup>
	3,90	1,30	5687	3123	8809	2313	8377	9191	0,83	0,07	2,06	4,46	4,79	6,73	0,97	0,94	13,75	15,14
	4,30	1,80	5823	3099	8922	2177	8401	9078	0,83	0,07	2,06	5,18	5,55	7,63	0,97	0,94	14,79	16,20
	4,50	1,95	5905	3092	8997	2095	8408	9003	0,83	0,07	2,06	5,57	5,94	7,98	0,97	0,94	15,31	16,73
	4,70	2,05	5958	3058	9015	2042	8442	8985	0,83	0,07	2,06	5,94	6,34	8,28	0,97	0,94	15,83	17,26
	4,90	2,35	6008	3060	9067	1992	8440	8933	0,83	0,07	2,06	6,29	6,71	8,78	0,97	0,94	16,35	17,78
	5,10	2,75	6041	3072	9113	1959	8428	8887	0,83	0,07	2,06	6,65	7,08	9,38	0,97	0,94	16,87	18,31
5,40	2,65	6118	3014	9133	1882	8486	8867	0,83	0,07	2,06	7,21	7,69	9,58	0,97	0,94	17,66	19,11	
5,70	2,65	6211	3010	9221	1789	8490	8779	0,83	0,07	2,06	7,80	8,29	9,88	0,97	0,94	18,44	19,90	
6,10	2,80	6290	2989	9278	1710	8511	8722	0,83	0,07	2,06	8,55	9,08	10,43	0,97	0,94	19,49	20,96	
SLEEPER HIGH CAB	WB	AE <sup>5)</sup>	Front	Rear	Total	Front	Rear	Total	AC	CB <sup>6)</sup>	CH <sup>7)</sup>	BL <sup>8)</sup>	BL	TL	HA <sup>9)</sup>	HA <sup>10)</sup>	TK <sup>11)</sup>	TW <sup>12)</sup>
	3,90	1,30	5717	3122	8839	2283	8378	9161	0,83	0,07	2,54	4,48	4,80	6,73	0,97	0,94	13,75	15,14
	4,30	1,80	5854	3098	8952	2146	8402	9048	0,83	0,07	2,54	5,21	5,57	7,63	0,97	0,94	14,79	16,20
	4,50	1,95	5936	3091	9027	2064	8409	8973	0,83	0,07	2,54	5,59	5,97	7,98	0,97	0,94	15,31	16,73
	4,70	2,05	5988	3057	9045	2012	8443	8955	0,83	0,07	2,54	5,95	6,35	8,28	0,97	0,94	15,83	17,26
	4,90	2,35	6038	3059	9097	1962	8441	8903	0,83	0,07	2,54	6,32	6,74	8,78	0,97	0,94	16,35	17,78
	5,10	2,75	6071	3072	9143	1929	8428	8857	0,83	0,07	2,54	6,68	7,11	9,38	0,97	0,94	16,87	18,31
5,40	2,65	6149	3014	9162	1851	8486	8838	0,83	0,07	2,54	7,24	7,70	9,58	0,97	0,94	17,66	19,11	
5,70	2,65	6241	3010	9251	1759	8490	8749	0,83	0,07	2,54	7,83	8,32	9,88	0,97	0,94	18,44	19,90	
6,10	2,80	6320	2988	9308	1680	8512	8692	0,83	0,07	2,54	8,57	9,11	10,43	0,97	0,94	19,49	20,96	

OTHER DIMENSIONS VA: 1,53 HV<sup>13)</sup>: 0,95 HV<sup>14)</sup>: 0,89 RB: 0,79 SB: 1,82 TB<sup>15)</sup>: 2,48

- GVM in conformity with registration documents.
- GCM in conformity with registration documents.
- Axle load with standard tyre size.
- Chassis and cab weight calculated with: Standard specification items only with driver of [0] kg, tolerance  $\pm$  3%. Changing of the specification can have major impact on vehicle weight
- Other AE dimensions may be available for shown WB. Modify rear overhang to the calculated body length.
- Based on basic specification.
- Cab height is measured from frame member to closed cabin roof hatch.

- Calculate customer specific body length with TOPEC. Body lengths shown based on evenly distributed load at max axle load.
- Unladen height at centre of driven axle(s).
- Laden height at centre of driven axle(s).
- TK = turning circle between kerbs.
- TW = turning circle between walls.
- Unladen height at centre of front axle(s).
- Laden height at centre of front axle(s).
- TB is overall width at rear. (At centre of front axle 255).

Depending on the vehicle configuration a specific option may not be possible. The availability and specification of this vehicle may differ per country. For further information please contact the DAF organisation. Pictures and technical illustrations are not binding in detail and can differ from the standard specification. Subject to modification without prior notice.